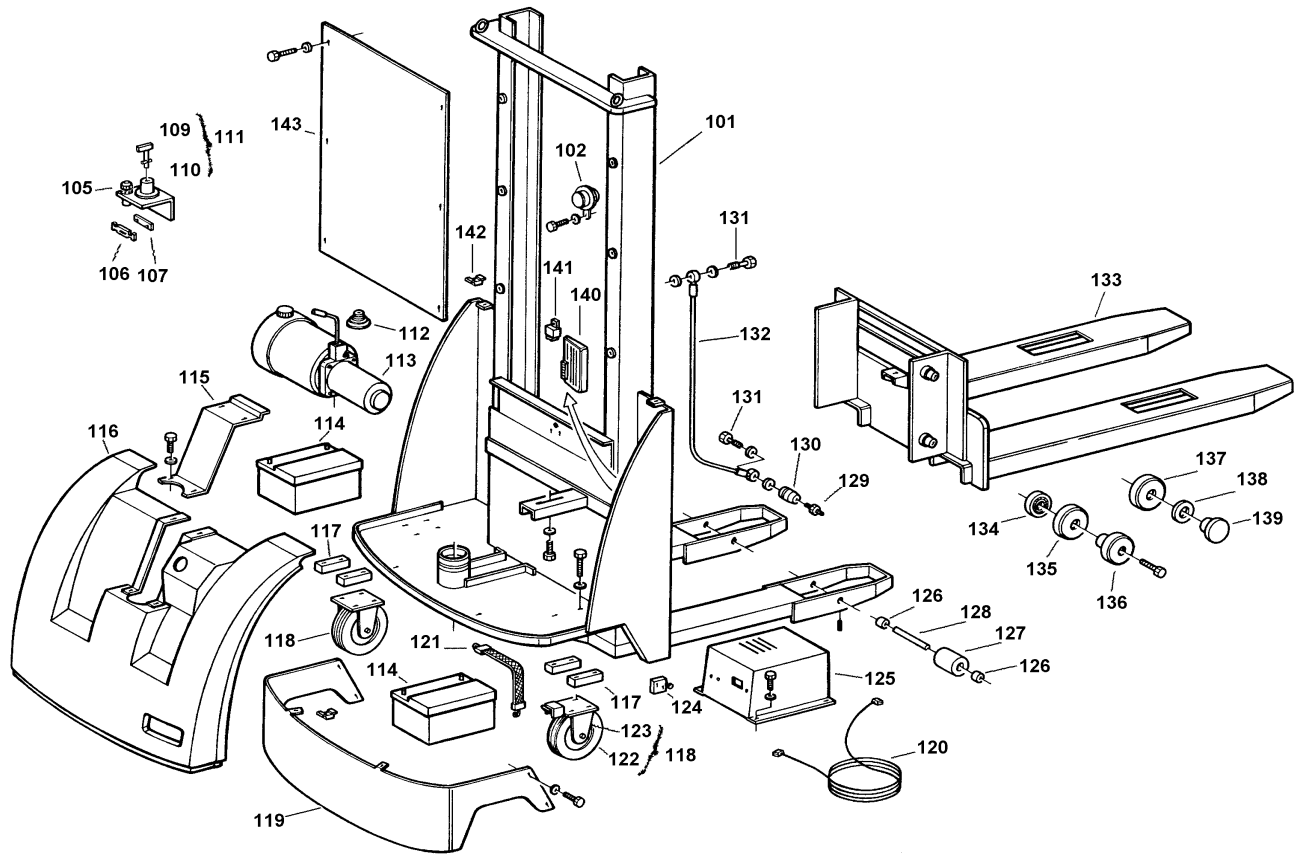


Telaio

Detail: 1



Ref. Cod.

Ref. Cod.	English	Français	Deutsch	Español	
0 S0318028013	CABLAGGIO ELETTRICO GX 10 (PRAMAC)	Electric wiring	Cable électrique	Elektrische Verkabel	Cable elettrico
0 S0318028018	CABLAGGIO ELETTRICO GX 12 (CURTIS)	Electric wiring	Cable électrique	Elektrische Verkabel	Cable elettrico
101 V0311030041-100	TELAIO GX 10/16 VERN.GIALLO RAL 1003	Chassis	Chassis	Rahmen	Chasis
101,1 V0311030043-100	TELAIO GX 10/20 VERN.GIALLO RAL 1003	Chassis	Chassis	Rahmen	Chasis
101,2 V0311060045-100	TELAIO GX 12/25 VERN.GIALLO RAL 1003	Chassis	Chassis	Rahmen	Chasis
101,3 V0311060034-100	TELAIO GX 12/29 VERN.GIALLO RAL 1003	Chassis	Chassis	Rahmen	Chasis
101,4 V0311060113-100	TELAIO GX 12/35 VERN.GIALLO RAL 1003	Chassis	Chassis	Rahmen	Chasis
101,5 S0311070058	TELAIO GX 10/09 SALDATO	Chassis	Chassis	Rahmen	Chasis
102 G075110	CLACSON 24V DC MOD.K70 + STAFFA "H"	Electrical Compone	Composant Electrique	Elektrischer Bestand	Componente Eléctri
105 G070625	PORTAFUSIBILE A VITE + FUSIBILE 6.3A	Fuse holder	Porte-fusible	Sicherungshalter	Portafusibile
106 G077540	FUSIBILE 160A (RFM REGHEL)	Fuse	Fusible	Schmelzsicherung	Fusibile
107 G070603	PORTAFUSIBILE x FUSIBILE 160Amp	Fuse	Fusible	Schmelzsicherung	Fusibile
109 G075220	CHIAVE x INTERR. STACCABATTERIE	Key	Clé	Schlüssel	Llave
110 G075221	FRUTTO x INTERR. STACCABATTERIE	Breaker	Interupteur	Schalter	Interruptor
111 G075102	INTERR.STACCABATTERIE UNIPOLARE	Breaker	Interupteur	Schalter	Interruptor
112 G052002	SOFFIETTO IN GOMMA ELEV.(0-RAB/010)	Bellow	Soufflet	Faltenbalg	Fuelle
113 G081021	CENTR.222353003 UP100 (TX12- GX10-12)	Trigger box	Groupe hydraulique	Steuerung	Caja eletrica
114 G099300024	BATTERIA 70Ah-12V	Battery	Baterie	Batterie	Bateria
114,1 G099300006	BATTERIA 92Ah-12V	Battery	Baterie	Batterie	Bateria
114,2 G099300062	BATTERIA 130Ah-12V TRAZIONE	Battery	Baterie	Batterie	Bateria
115 V0310018015-100	CHIUSURA CARTER COFANO GX 10-12 VERN.	Guard	Carter	Gehäuseteil	Carter
116 S0310018010	CARTER COFANO GX 10-12	Guard	Carter	Gehäuseteil	Carter
117 S0312016004	DISTANZIALE RUOTE L=95 VERNIC.(LAG D150)	Spacer	Entretoise	Distanzstück	Distanciador
118 G053328	RUOTA POLY.C T150x40/49 CC SPGP50 +PAR.	Drive wheel	Roue	Rad	Rueda
119 S0313010039	CARTER MOTORUOTA GX 10 VERNICIATO	Guard	Carter	Gehäuseteil	Carter
120 G079311	CAVO ELETTRICO PRESA SCHUKO L1500mm	Electric cable	Cable électrique	Elektrische Leitung	Cable elettrico
121 G000112	CINGHIA ELASTICA BATTERIA GX10/12	Band	Courroie	Riemen	Correa

GX10-12**CARRELLO ELEVATORE MOD. "GX 10-12"**

STACKER "GX 10-12"

ELEKTRO STAPLER "GX 10-12"

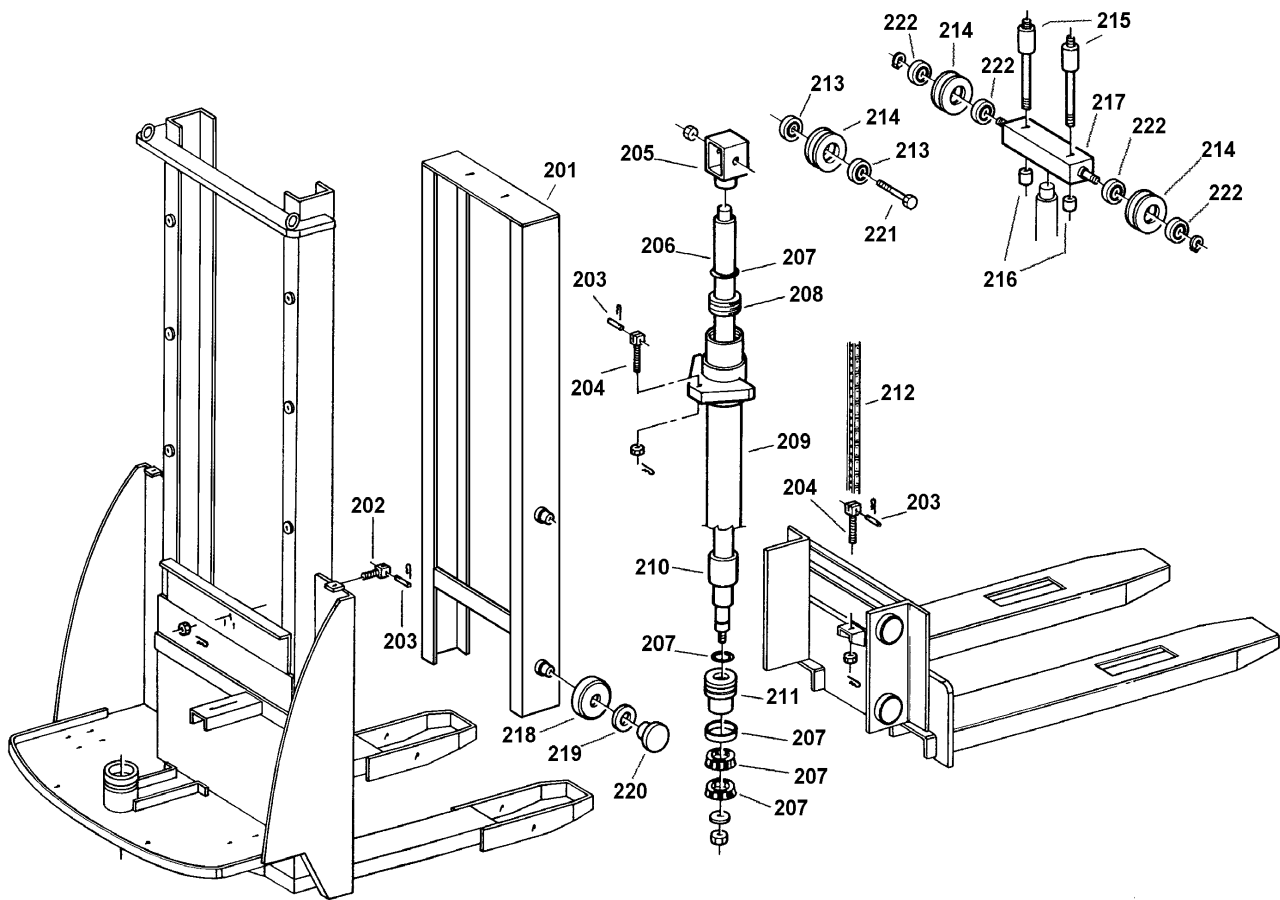
GERBEUR "GX 10-12"

CARRETILLA ELEVADORA "GX 10-12"

Telaio						Detail: 1
121,1	G000113	CINGHIA ELASTICA BATTERIA GX12 PLUS	Band	Courroie	Riemen	Correa
122	G053334	RUOTA POLY.C/ALL T8017CC NEW x G10-TE	Drive wheel	Roue	Rad	Rueda
123	G053412	SUPPORTO 01242 SPGP50(NEW x G10-TE)	Support	Support	Halterung	Soporte
124	G075006	MICROINTERRUTTORE MS15 PIZZATO	Microswitch	Microswitch	Mikroschalter	Microswitch
125	G099300058	RADDR.A GIORNO 13A-24V X TX12-GX10	Charger	Chargeur	Ladegerät	Cargador
125,1	G099300026	RADDRIZ.A GIORNO 13A-24V(TX12-GX10)240V	Charger	Chargeur	Ladegerät	Cargador
125,2	G099300067	RADDRIZZ.A GIOR.13A-24V (TX12 GX10)120V	Charger	Chargeur	Ladegerät	Cargador
125,3	G099300059	RADDR.A GIORNO 20A-24V x GX 12	Charger	Chargeur	Ladegerät	Cargador
125,4	G099300027	RADDRIZZ. A GIORNO 20A-24V (GX 12) 240V	Charger	Chargeur	Ladegerät	Cargador
125,5	G099300068	RADDRIZZ.A GIOR.24A-20V (GX12+PLUS)120V	Charger	Chargeur	Ladegerät	Cargador
126	S0302016026	DISTANZIALE RULLO SINGOLO TE-TM ZINC	Spacer	Entretoise	Distanzstück	Distanciador
127	S0302020117	RULLO POLY.C D82x70 + CUSCINETTI	Roll	Roulean	Rolle	Rodillo
128	S0302015025	PERNO SCARPETTA TE/TML10 (BRUNITO)	Sprig	Pivot	Bolzen	Pernio
129	G084103	NYPLE M/M 3/8"	Nipple	Raccord	Nippel	Racor
130	G085003	VALVOLA REGOLAZIONE FLUSSO 3/8"	Valve	Soupape	Ventil	Valvula
131	G084001	VITE FORO 3/8" ESAG. 22	Screw	Vis	Schraube	Tornillo
132	G083012	TUBO R1T 3/8" OCCHIO3/8"-3/8"L=1250	Tube	Tuyau	Rohr	Tube
133	S0317010036	FORCA COMPLETA VERNICIATA GX10/16-20	Fork	Fourche	Gabel	Horca
133,1	S0307050082	FORCA COMPLETA VERNICIATA TE-TM-L-G10/29	Fork	Fourche	Gabel	Horca
133,2	S0307040063	FORCA COMPLETA VERNICIATA TE-TM-L10/36	Fork	Fourche	Gabel	Horca
134	G010151	CUSCINETTO 6305 (25-62-17)	Bearing	Roulement	Lager	Cojinete
135	S0207016006	ROTELLA SCORRIMENTO FORCA TMC 10/16	Ring	Rondelle	Beilagscheibe	Arandela
136	S0207018001	RULLO GUIDA FORCA TMC 10/16	Roll	Roulean	Rolle	Rodillo
137	G019306	CUSCINETTO A SFERE D70 (CSF.002)	Bearing	Roulement	Lager	Cojinete
138	G019310	DISCHETTO DI CONTRASTO (10004.102)	Disc	Disque	Scheibe	Disco
139	G019309	PATTINO DI GUIDA LATERALE (10002.102)	Sliding block	Block de glissement	Gleitschuh	Patín
140	G075050	SCHEDA PRAMAC RF050H70-120A x GX 10	Electronic card	Fiche electronique	Elektronik-Platine	Ficha eletrica
140,1	G076024	SCHEDA CURTIS 1228-110A 24VxGX12 TARATA	Electronic card	Fiche electronique	Elektronik-Platine	Ficha eletrica
141	G077201	RELE' 30A 24V CONTATTO A SCAMBIO	Relay	Relais	Relais	Relay
142	G034903	DADO INGABBIATO M8 ZN (URAMA Q08-30)	Nut	Dés	Mutter	Tuerca
143	S0310018006	VETRO PROTEZIONE G10 VERS.2	Glass	Verre	Glas	Vidrio
143,1	S0200038014	VETRO PROTEZIONE TX-GX 12/25	Glass	Verre	Glas	Vidrio
143,2	S0200038004	VETRO PROTEZIONE TMC 10/09	Glass	Verre	Glas	Vidrio

Cilindro di alzata

Detail: 2



Ref. Cod.

201	S0205010067	SECONDO STADIO TMC10/25 (VERN.) "NEW"
201,1	S0305010170	SECONDO STADIO L10/29 (VERNICIATO)
201,2	S0305010286	SECONDO STADIO TX-GX 12/35 (VERNICIATO)
202	S0307015015	PETTINE CORTO TE-TM-LVT ZINCATO
203	G062104	PERNO CATENA FLAYER BL544 D6x29
204	S0307015017	PETTINE LUNGO TE-TM-L-LVT ZINCATO
205	S0306051022	PORTAPULEGGIA GHISA TE-TM-L VERNIC.
206	S0306063020	STELO CILINDRO TMC-G h1600
206,1	S0206013001	STELO CILINDRO TMC 10/20
206,2	S0206013003	STELO CILINDRO TMC 10/25
206,3	S0306053018	STELO CILINDRO ELEVATORE h2900
206,4	S0306023054	STELO CILINDRO ELEVAT.h3500 TX-GX 12/35
206,5	S0306063049	STELO CILINDRO TMC 10/09
207	G090015	KIT GUARNIZIONI TMC16/20
207,1	G090005	KIT GUARNIZIONI TE-TM 10-12
208	S0206011001	BOCCOLA CILINDRO TMC 10/16-20
208,1	S0306041004	GHIERA CILINDRO TE/TM 10-12/29-36
209	S0206010063	CILINDRO G-TMC 10/16 VERNICIATO
209,1	S0206010064	CILINDRO G-TMC 10/20 VERNICIATO
209,2	S0206010068	CILINDRO TMC 10/25 VERNICIATO "NEW"
209,3	S0306010159	CILINDRO L10-12/29 VERNICIATO
209,4	S0306010287	CILINDRO TX-GX 12/35 VERNICIATO
209,5	S0206010062	CILINDRO TMC 10/09 VERNICIATO
210	S0206016008	DISTANZIALE CILINDRO L.35 TE-TM
210,1	S0306056017	DISTANZIALE CILINDRO L.105 TE-TM
210,2	S0306026011	DISTANZIALE CILINDRO L.120 TE-TM
211	S0306061009	PISTONE CILINDRO TMC 10/16-20

English

Français

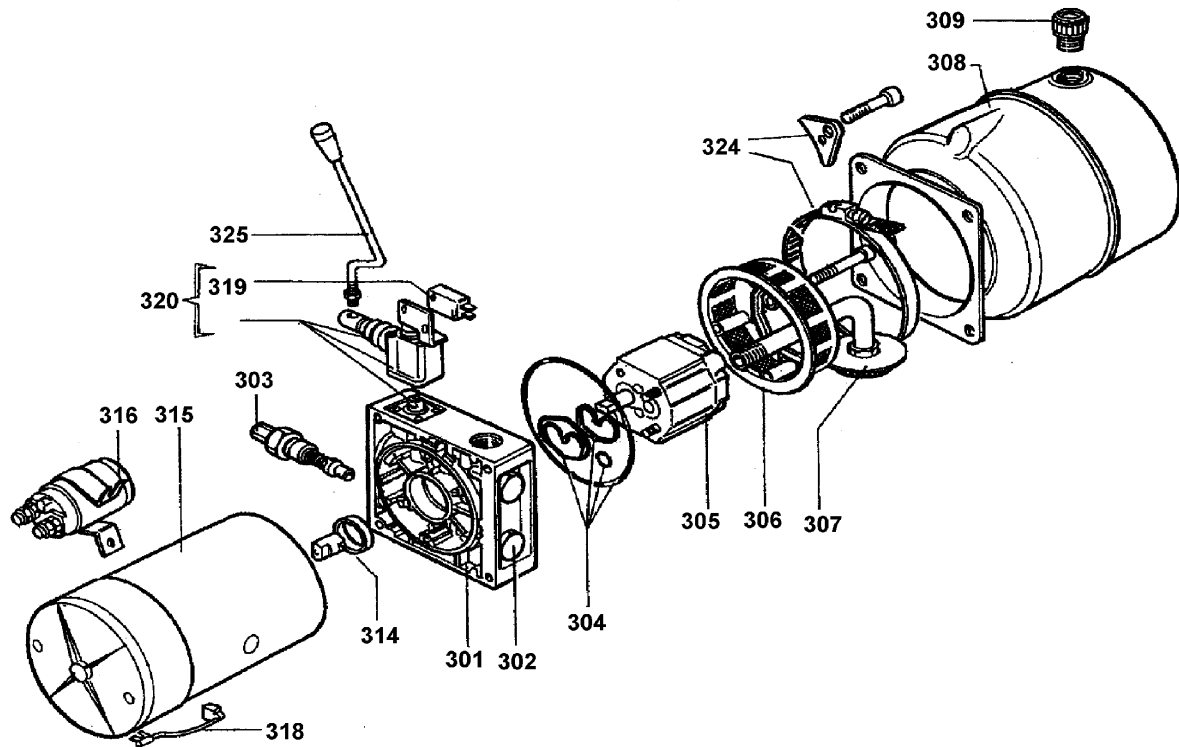
Deutsch

Español

Second pillar	Mat interieur	Zweite Stufe	Segundo estadio
Second pillar	Mat interieur	Zweite Stufe	Segundo estadio
Second pillar	Mat interieur	Zweite Stufe	Segundo estadio
Jumper connection	Liaison	Verbindung	Puente
Sprig	Pivot	Bolzen	Pernio
Jumper connection	Liaison	Verbindung	Puente
Pulley	Poulie	Scheibe	Polea
Stem	Tige	Stange	Vástago
Stem	Tige	Stange	Vástago
Stem	Tige	Stange	Vástago
Stem	Tige	Stange	Vástago
Stem	Tige	Stange	Vástago
Stem	Tige	Stange	Vástago
Stem	Tige	Stange	Vástago
Kit	Kit	Kit	Kit
Kit	Kit	Kit	Kit
Bushing	Fourreau	Hülse	Tuerca
Plug	Collier de serrage	Nutmutter	Anilla
Cylinder	Cylindre	Zylinder	Cilindro
Cylinder	Cylindre	Zylinder	Cilindro
Cylinder	Cylindre	Zylinder	Cilindro
Cylinder	Cylindre	Zylinder	Cilindro
Cylinder	Cylindre	Zylinder	Cilindro
Cylinder	Cylindre	Zylinder	Cilindro
Spacer	Entretoise	Distanzstück	Distanciador
Spacer	Entretoise	Distanzstück	Distanciador
Spacer	Entretoise	Distanzstück	Distanciador
Piston	Piston	Kolben	Pistón

Cilindro di alzata**Detail: 2**

211,1	S0306041008	PISTONE CILINDRO TE/TM 10-12/29-36	Piston	Piston	Kolben	Pistón
212	G062005	SPEZZONE CATENA FLAYER BL534-81P	Chain	Chaîne	Kette	Cadena
212,1	G062011	SPEZZONE CATENA FLAYER BL534-107P	Chain	Chaîne	Kette	Cadena
212,2	G062017	SPEZZONE CATENA FLAYER BL534-105P	Chain	Chaîne	Kette	Cadena
212,3	G062007	SPEZZONE CATENA FLAYER BL534-117P	Chain	Chaîne	Kette	Cadena
212,4	G062019	SPEZZONE CATENA FLAYER BL534-131P	Chain	Chaîne	Kette	Cadena
212,5	G062016	SPEZZONE CATENA FLAYER BL534-49P	Chain	Chaîne	Kette	Cadena
213	G010401	* CUSCINETTO 6204 2RS (20-47-14)	Bearing	Roulement	Lager	Cojinete
214	S0306051019	PULEGGIA CUSC.DOPPIO VERN.(P.GHISA)	Pulley	Poulie	Scheibe	Polea
215	S0306015052	PERNO ALZATA LIBERA L10-L16	Sprig	Pivot	Bolzen	Pernio
216	S0306015036	DISTANZIALE PERNO ALZATA LIB. TE-TM	Spacer	Entretoise	Distanzstück	Distanciadador
217	S0306012072	PORTAPULEGGIA DOPPIO L16 VERNIC. "1998"	Pulley	Poulie	Scheibe	Polea
218	G019306	CUSCINETTO A SFERE D70 (CSF.002)	Bearing	Roulement	Lager	Cojinete
219	G019310	DISCHETTO DI CONTRASTO (10004.102)	Disc	Disque	Scheibe	Disco
220	G019309	PATTINO DI GUIDA LATERALE (10002.102)	Sliding block	Block de glissement	Gleitschuh	Patín
221	S0306055043	PERNO x PORTAPULEGGIA IN GHISA	Sprig	Pivot	Bolzen	Pernio

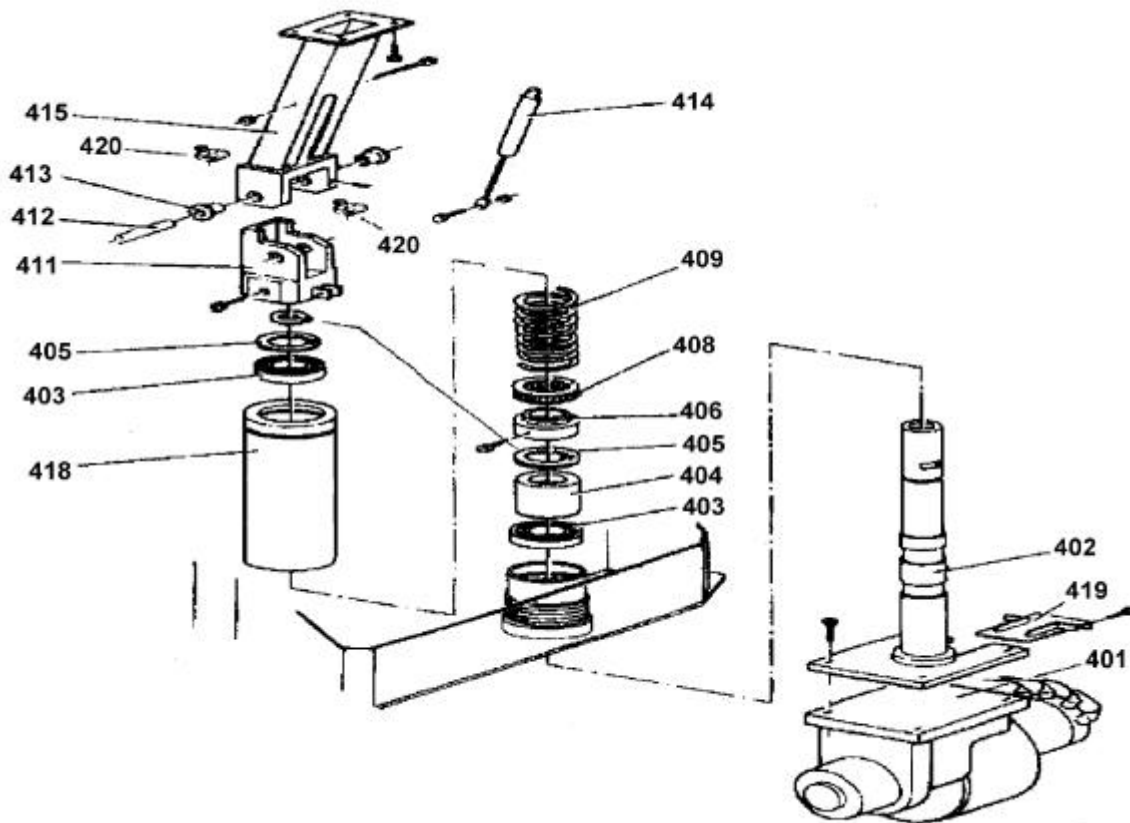


Ref. Cod.

Ref. Cod.	English	Français	Deutsch	Español	
301 G082195	CORPO UP100 K1G3-06 + PARAOLIO	Pump	Pompe	Pumpe	Bomba
302 G082171	VALVOLA RITEGNO RS3/817-03	Valve	Soupape	Ventil	Valvula
303 G082107	VALVOLA MAX VM01 HDM10 T.95-210	Valve	Soupape	Ventil	Valvula
304 G082166	KIT GUARNIZIONI CORPO UP100 x "LR"	Kit	Kit	Kit	Kit
305 G082100	POMPA AP100/1.7 S.409+COP.748220020	Pump	Pompe	Pumpe	Bomba
306 G082090	FILTRO CONV.150 MICRON (757500070)	Filter	Filtre	Filter	Filtro
307 G082196	GRUPPO A.H105L78-900 250M.	Suction filter unit	Groupe aspiration	Ansaugeneinheit	Grupo aspiración
308 G082228	SERBATOIO UP100 P08,OR-BBT	Tank	Reservoir	Tank	Deposito
309 G082099	TAPPO CARICO SF1/2G(HIDR.527060502)	Plug	Bouchon	Verschlussstopfen	Tapa
314 G082158	TRASCINAMENTO E145 M.C.C T.E	Trigger box	Groupe hydraulique	Steuerung	Caja eletrica
315 G082230	MOTORE C240AK/Y0/D02P 024V 2.2	Electric motor	Moteur electrique	Elektromotor	Motor elettrico
316 G082120	RELE' AVV. 24V C.C.(HIDR.544134203)	Relay	Relais	Relais	Relay
318 G082233	CAVETTO + SPAZZOLE 24V	Brush holder	Porte balais	Bürstenhalter	Portaescobilla
319 G082223	MICRO STD COM. MANUALE UP50-UP100	Microswitch	Microswitch	Mikroschalter	Microswitch
320 G082224	VALVOLA ZR817/22-TVML + CAPPELOTTO	Valve	Soupape	Ventil	Valvula
324 G082227	KIT FISSAGGIO SERBATOIO PL. UP100 6-14L.	Kit	Kit	Kit	Kit
325 G082232	ASTA LEVA AL029 UP100	Rod	Barre	Stange	Asta

Gruppo di trazione

Detail: 4

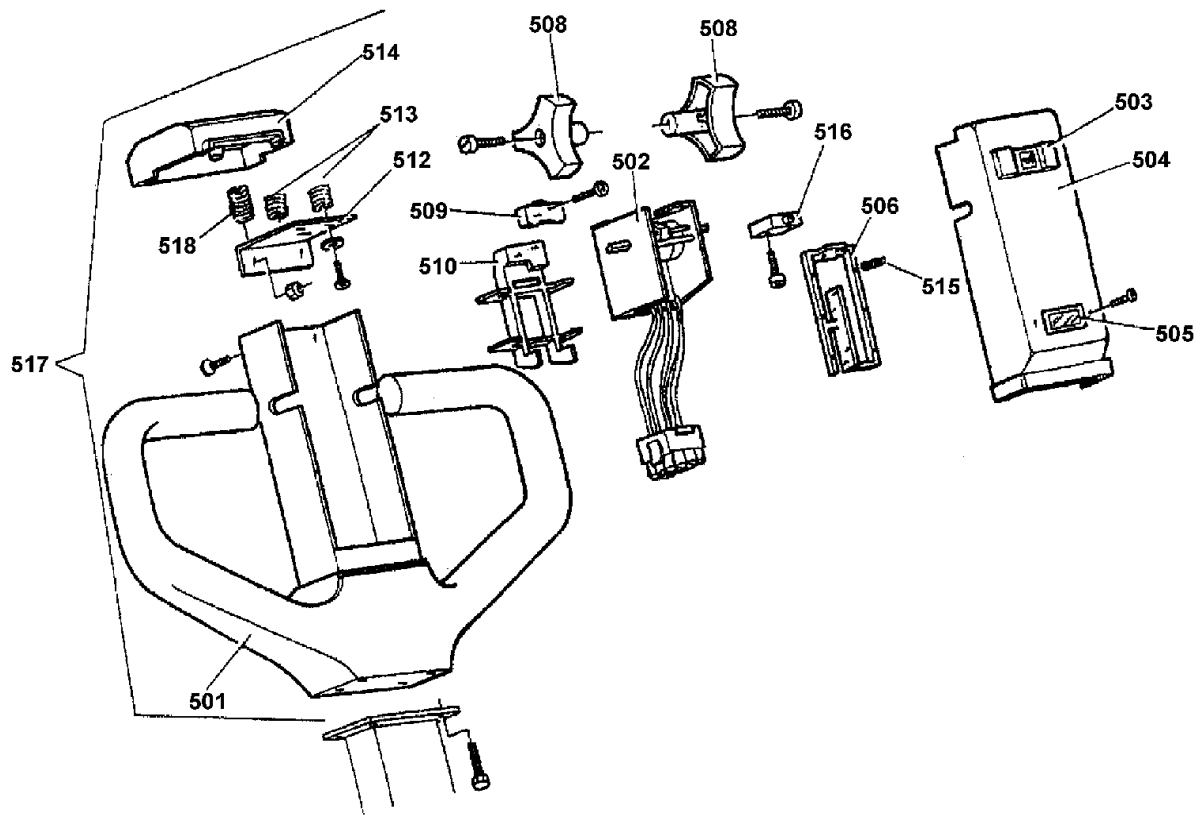


Ref. Cod.

Ref.	Cod.	English	Français	Deutsch	Español	
401	G074425	MOTORUOTA 500W 24V MAGN.PERM.x GX 10	Gearmotor	Motoreducteur	Getriebemotor	Motoreductor
401,1	G074426	MOTORUOTA 700W 24V MAGN.PERM.x GX12	Gearmotor	Motoreducteur	Getriebemotor	Motoreductor
402	S0313010025	SUPPORTO MOTORUOTA GX 10 VERN.	Support	Support	Halterung	Soporte
402,1	S0313060047	SUPPORTO MOTORUOTA GX 12 VERN.	Support	Support	Halterung	Soporte
403	G010214	CUSCINETTO 6010 2Z (50-80-16)	Bearing	Roulement	Lager	Cojinete
404	S0303018002	BOCCOLA SCORRIMENTO MOTORUOTA L10	Bushing	Fourreau	Hülse	Tuerca
405	G090021	KIT SEEGER MOTORUOTA ELEVATORI	Kit	Kit	Kit	Kit
406	S0303016030	RONDELLA ALBERO MOTORUOTA L10	Ring	Rondelle	Beilagscheibe	Arandela
408	S0313080057	CUSCINETTO COMPLETO MOTORUOTA ELEVATORI	Bearing	Roulement	Lager	Cojinete
409	G001108	MOLLA De78 F.11x162 P.22 xG10	Spring	Ressort	Feder	Muelle
411	S0303011010	SUPPORTO TIMONE "L" (VERNICIATO)	Support	Support	Halterung	Soporte
412	S0304013027	PERNO TIMONE L-G-K20	Sprig	Pivot	Bolzen	Pernio
413	G016353	BRONZINA AUTOLUB. 20x28x35 L=20	Bronze bearing	Coussinet en bronze	Bronzelager	Buje de bronze
414	G001703	MOLLA GAS 198.236.20-GF2 VAPSINT	Spring	Ressort	Feder	Muelle
415	S0304010142	TIMONE VERNICIATO "L"-"K20"	Rudder	Timon	Deichsel	Timón
418	S0303010139	PREMIMOLLA LX-GX ZINC.(PASSIVAZ.BIANCA)	Spring press	Presse ressort	Druckfeder	Prensa-muelle
419	S0303010153	STAFFA CAVI MOTORUOTA L10-L16	Bracket	Bride	Blechbügel	Abrazadera
420	G075004	MICROINTERRUPTORE (XG2-S20) xTIMONE L10	Microswitch	Microswitch	Mikroschalter	Microswitch

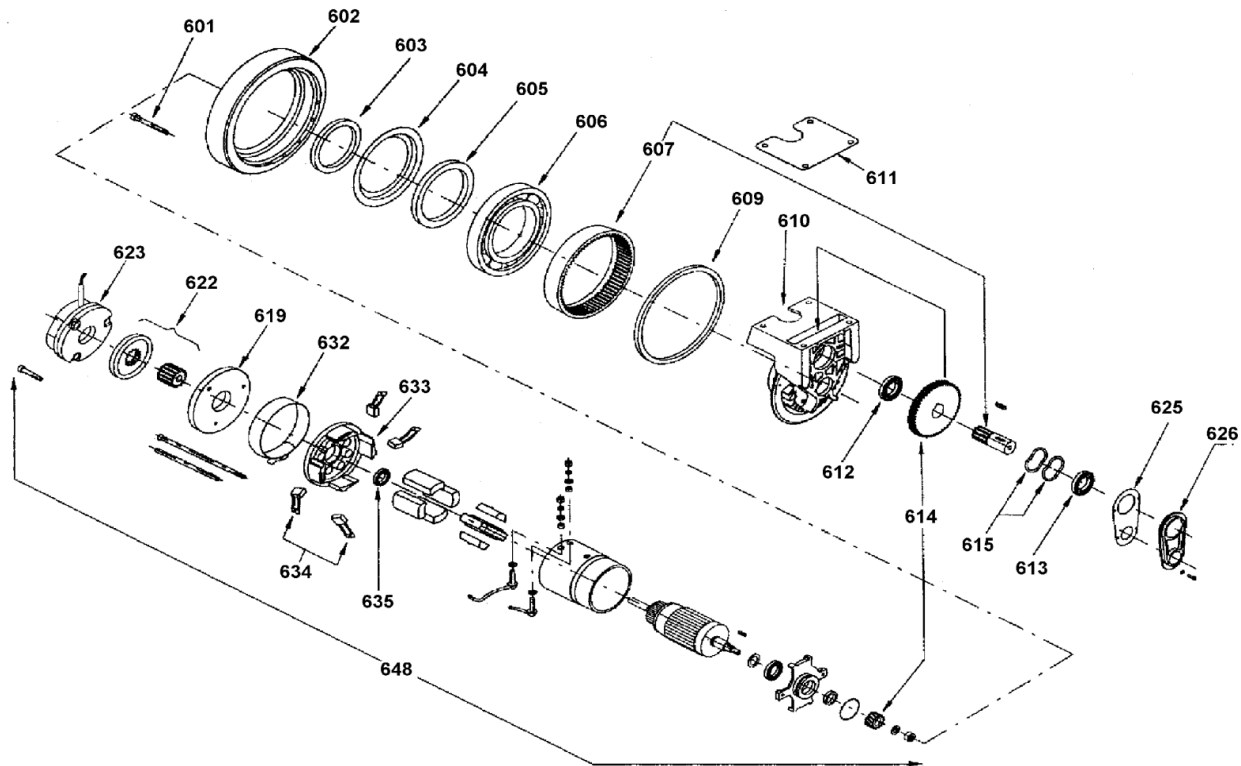
Scatola comandi

Detail: 5



Ref. Cod.

Ref. Cod.	English	Français	Deutsch	Español	
0 S0319012001	CABLAGGIO TIMONE L/G (CURTIS)	Electric wiring	Cable électrique	Elektrische Verkabel	Cable elettrico
501 S0304010208	TIMONIERA RICOPERTA (POLY) LK	Rudder	Timon	Deichsel	Timón
502 G077007	ACCELERATORE ELETTR. GPH x GX10 CABLATO	Throttle	Accélérateur	Drehzahlregler	Acelerador
502,1 G077004	ACCELERATORE ET 103 CABLATO L-G10	Throttle	Accélérateur	Drehzahlregler	Acelerador
503 S0304018020	PULSANTE TIMONE LK	Push button	Poussoir	Taster	Botón
504 S0304018019	COPERCHIO TIMONE LK x ELEVATORI	Cover	Chape	Deckel	Tapa
505 G079005	INDICATORE STATO BATTERIA CURTIS	Indicator	Indicateur	Anzeige	Indicator
506 S0304018022	SUPPORTO MICRO TIMONE LK	Support	Support	Halterung	Soporte
508 S0304018018	FARFALLA TIMONE LK	Port throttle	Papillon	Drosselklappe	Estilo de mariposa
509 G075016	MICROINTERRUTTORE CROUZET 5A 250V	Microswitch	Microswitch	Mikroschalter	Microswitch
510 S0304018021	SUPPORTO POTENZIOMETRO TIMONE LK	Support	Support	Halterung	Soporte
512 S0304017011	PIASTRINA SUPP.EMERGENZA TIMONE LK	Plate	Plaque	Platte	Plancha
513 G001132	MOLLA De11 FILO1 SPIRE4 L10 MOL/ZN	Spring	Ressort	Feder	Muelle
514 S0304018017	EMERGENZA TIMONE LK	Emergency	Emergence	Nofall	Emergencia
515 G001131	MOLLA De5,6 F0,5 SPIRE10 L20 ZINC.	Spring	Ressort	Feder	Muelle
516 G075017	MICROINTERRUTTORE XG52-J21	Microswitch	Microswitch	Mikroschalter	Microswitch
517 S0304010285	TIMONIERA COMPLETA LK/ELEV. x GX 10	Rudder	Timon	Deichsel	Timón
517,1 S0304150299	TIMONIERA COMPLETA GX12	Rudder	Timon	Deichsel	Timón
518 G001134	MOLLA De12,3 F1 SPIRE9 L=24 ZINCATA	Spring	Ressort	Feder	Muelle



Ref. Cod.

Ref. Cod.	English	Français	Deutsch	Español	
601 G073242	VITE FISSAGGIO RUOTA (93642 CIMA)	Screw	Vis	Schraube	Tornillo
602 G073259	ANELLO MOTORUOTA GOMMA G10 (13266CIMA)	Driving wheel ring	Bandage roue motri	Ring für Antriebsrad	Anillo motorueda
602,1 G073243	ANELLO MOTORUOTA GOMMA (13265 CIMA) TE96	Driving wheel ring	Bandage roue motri	Ring für Antriebsrad	Anillo motorueda
603 G073006	ANELLO (14201 CIMA)	Driving wheel ring	Bandage roue motri	Ring für Antriebsrad	Anillo motorueda
604 G073008	ANELLO PROTEZIONE (14301 CIMA)	Driving wheel ring	Bandage roue motri	Ring für Antriebsrad	Anillo motorueda
605 G073007	GUARNIZIONE MOTORUOTA (13803 CIMA)	Gasket	Joint	Dichtung	Guarnición
606 G073009	CUSCINETTO (91111 CIMA)	Bearing	Roulement	Lager	Cojinete
607 G073260	PIGNONE RINVIO+CORONA (12938 CIMA)	Pinion	Pignon	Ritzel	Piñon
609 G073245	GUANIZIONE MOTORUOTA (13806 CIMA)	Gasket	Joint	Dichtung	Guarnición
610 G073246	FUSIONE MOTORUOTA (13051 CIMA)	Fusion	Fusion	Gußteil	Fusión
611 G073011	GUARNIZIONE MOTORUOTA (13902 CIMA)	Gasket	Joint	Dichtung	Guarnición
612 G073247	CUSCINETTO (91110 CIMA)	Bearing	Roulement	Lager	Cojinete
613 G073012	CUSCINETTO (91109 CIMA) 16006	Bearing	Roulement	Lager	Cojinete
614 G073029	PIGNONE+RUOTA COND. (12903 CIMA)	Pinion	Pignon	Ritzel	Piñon
615 G073030	ANELLO COMPENSAZIONE (92702 CIMA)	Driving wheel ring	Bandage roue motri	Ring für Antriebsrad	Anillo motorueda
619 G073016	PIASTRA PORTA FRENO (13703 CIMA)	Plate	Plaque	Platte	Plancha
622 G073066	FERODO+MOZZO (12914 CIMA)	Hub	Moyeu	Nabe	Cubo
623 G073150	ELETTROFRENO MOTOR. 24V (11129CIMA)	Brake	Frein	Bremse	Freno
623,1 G073036	ELETTROFRENO MOTOR. 24V (11114CIMA)	Brake	Frein	Bremse	Freno
625 G073013	GUARNIZIONE (13901 CIMA)	Gasket	Joint	Dichtung	Guarnición
626 G073014	COPERCHIO (14101 CIMA)	Cover	Chape	Deckel	Tapa
632 G073032	FASCETTA ALETTATA (33701 CIMA)	Hose clip	Bande	Befestigungsschelle	Tira
633 G073115	SUPPORTO COLLETTORE (31938 CIMA)	Support	Support	Halterung	Soporte
633,1 G073019	SUPPORTO COLLETTORE (31886 CIMA)	Support	Support	Halterung	Soporte
634 G073138	KIT SPAZZOLE MOTOR. 24V (33623 CIMA)	Kit	Kit	Kit	Kit
634,1 G073068	KIT SPAZZOLE MOTOR. 24V (CIMA33616)	Kit	Kit	Kit	Kit
635 G073249	CUSCINETTO COLLETTORE (91120 CIMA)	Bearing	Roulement	Lager	Cojinete

GX10-12**CARRELLO ELEVATORE MOD. "GX 10-12"**

STACKER "GX 10-12"

ELEKTRO STAPLER "GX 10-12"

GERBEUR "GX 10-12"

CARRETILLA ELEVADORA "GX 10-12"

Riduttore**Detail: 6**

648	G073336	MOTORE MAGNETI PERM.(30291 CIMA)	Electric motor	Moteur electrique	Elektromotor	Motor eletrico
648,1	G073209	MOTORE MAGNETI PERM.(30270 CIMA)	Electric motor	Moteur electrique	Elektromotor	Motor eletrico

*** Modifiche / Updates / Modifications / Änderungen / Modificaciones :****Rev.: 0****20/12/1999**

Det. Ref.	Present Code	Serial N.	Old	New	Interc.	Dat.
2 213	G010401		G010207	G010401	<input checked="" type="checkbox"/>	27/04/1999