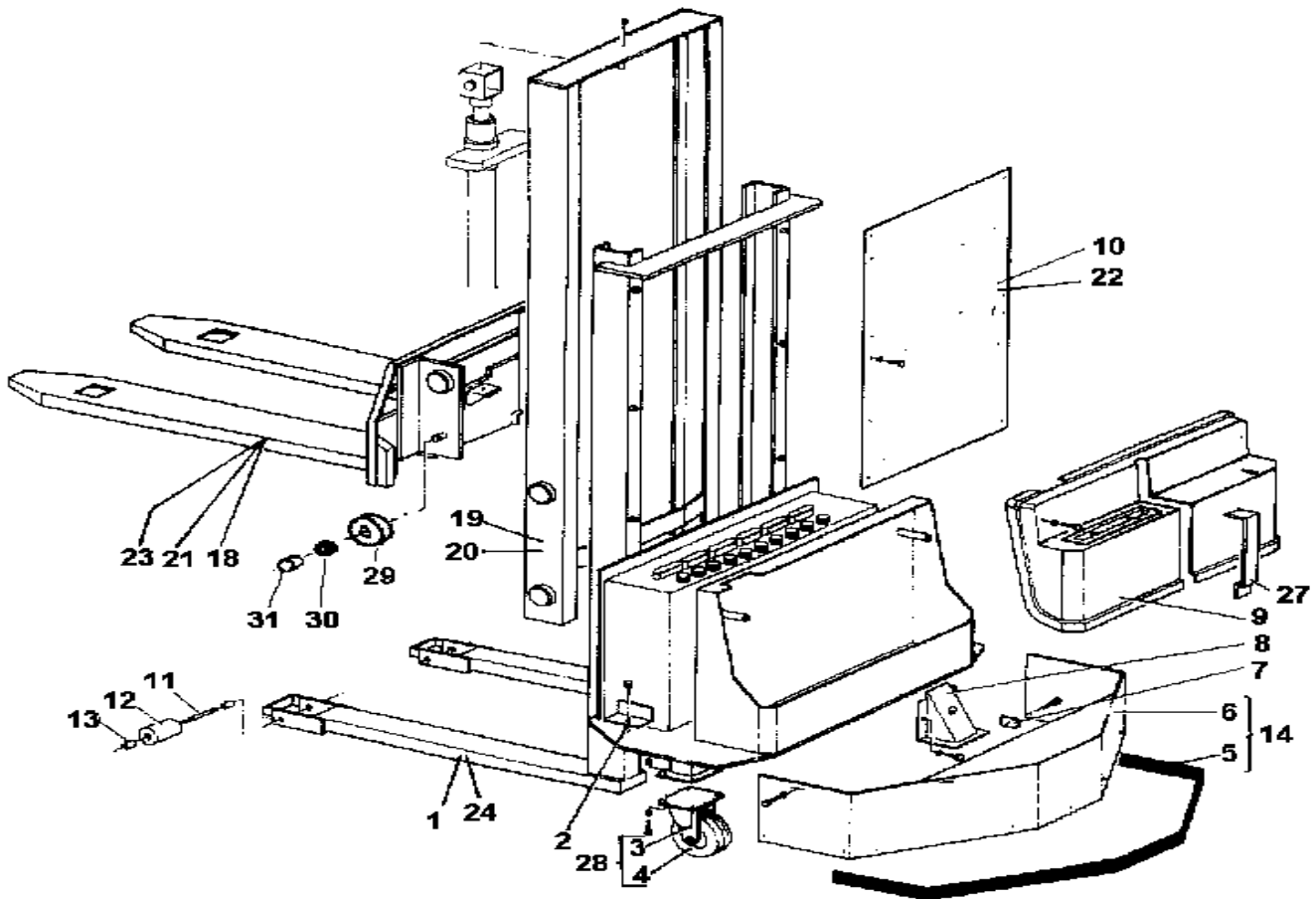


Telaio

Detail: 1

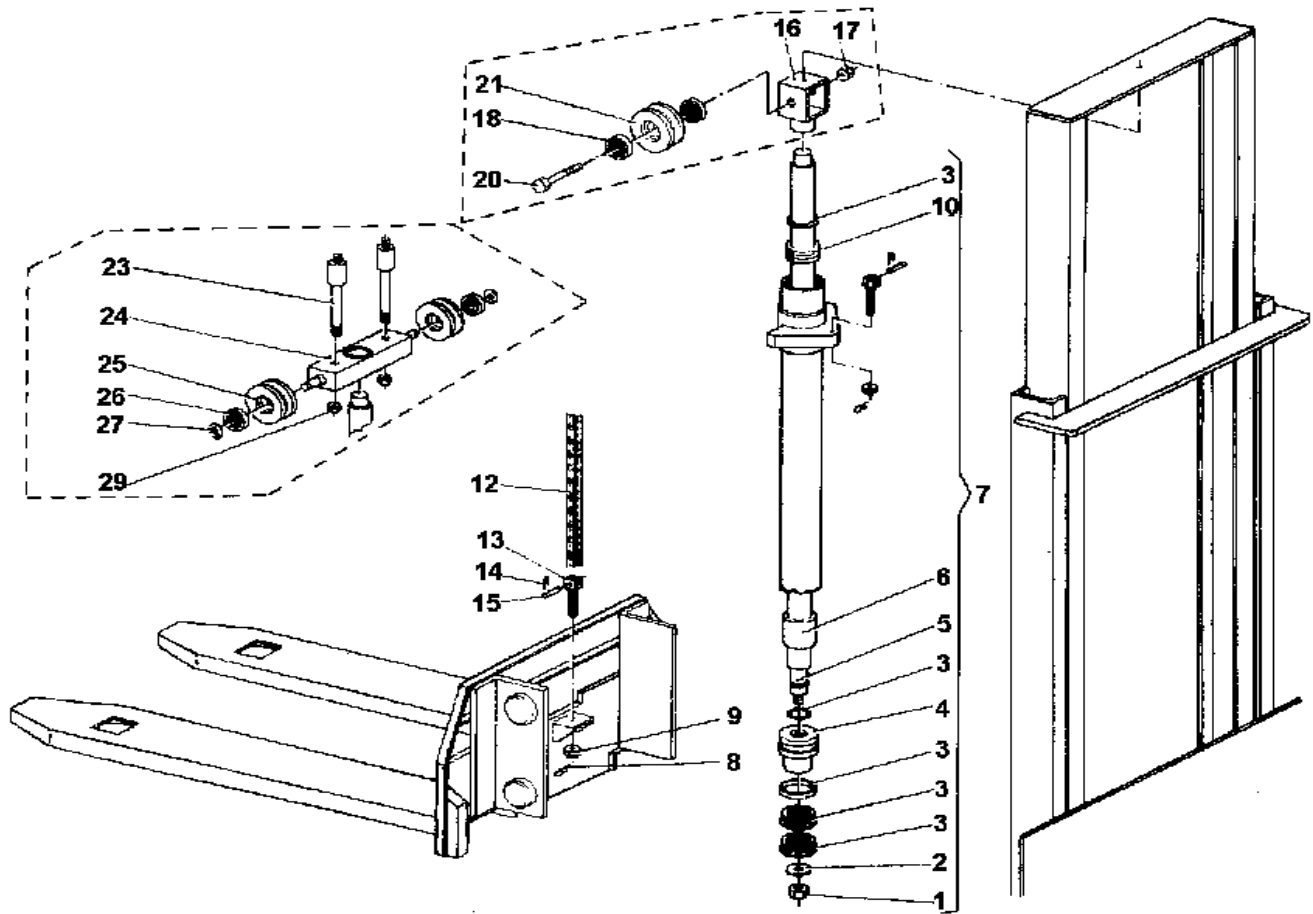


Ref. Cod.

Ref. Cod.	English	Français	Deutsch	Español		
1	V0301010138-100	TELAIO L 10/29 VERNIC.GIALLO RAL 1003	Chassis	Chassis	Rahmen	Chasis
2	S0301017004	FERMO BATTERIA L10 VERNICIATO FIAMM	Trap	Limiteur de corse	Anschlag	Bloqueador
3	G053405	* SUPPORTO GIR.EP.RUOTA D150X50(0705) xL16	Support	Support	Halterung	Soporte
4	G053313	* RUOTA POLY.C D150x50+CUSC+BUSSOLA P19	Drive wheel	Roue	Rad	Rueda
5	S0300018005	GOMMA PROTEZIONE RUOTE L10 LARG.850	Gum	Gomme	Gummi	Goma
6	S0300010145	PROTEZIONE RUOTE L10 VERNICIATA	Protection	Protection	Schutz	Protección
7	G07145	PIASTRINA FISSAGGIO GOMMA L10	Plate	Plaque	Platte	Plancha
8	S0300018007	FRONTALINO CARTER COFANO L10 ABS	Guard	Carter	Gehäuseteil	Carter
9	S0300018004	CARTER COFANO L	Guard	Carter	Gehäuseteil	Carter
10	S0300018003	VETRO PROTEZIONE L10-12-16/2900	Glass	Verre	Glas	Vidrio
11	S0302015025	PERNO SCARPETTA TE/TM/L10 (BRUNITO)	Sprig	Pivot	Bolzen	Pernio
12	S0302020117	RULLO POLY.C D82x70 + CUSCINETTI	Roll	Roulean	Rolle	Rodillo
13	S0302016026	DISTANZIALE RULLO SINGOLO TE-TM ZINC	Spacer	Entretoise	Distanzstück	Distanciador
14	S0300010168	PROTEZIONE RUOTE L10 MONTATA	Protection	Protection	Schutz	Protección
18	S0307060246	FORCA COMPL. MONTATA TE-TM-L10/16	Fork	Fourche	Gabel	Horca
19	S0305010107	SECONDO STADIO h=2900 10-12q COMPLETO	Second pillar	Mat interieur	Zweite Stufe	Segundo estadio
20	S0305010108	SECONDO STADIO h=3600 10-12q COMPLETO	Second pillar	Mat interieur	Zweite Stufe	Segundo estadio
21	S0307040214	FORCA COMPL. MONTATA TE-TM-L10/36	Fork	Fourche	Gabel	Horca
22	S0300018009	VETRO PROTEZIONE L10-12-16/3600	Glass	Verre	Glas	Vidrio
23	S0307050209	FORCA COMPL. MONTATA TE-TM-L-G10/29	Fork	Fourche	Gabel	Horca
24	V0301010148-100	TELAIO L 10/36 VERNIC.GIALLO RAL 1003	Chassis	Chassis	Rahmen	Chasis
27	S0300018010	CHIUSURA CARTER COFANO L10 ABS	Guard	Carter	Gehäuseteil	Carter
28	G053316	* RUOTA POLY.C D150x50 SRG/EP (COD.7321)	Drive wheel	Roue	Rad	Rueda
29	G019306	CUSCINETTO A SFERE D70 (CSF.002)	Bearing	Roulement	Lager	Cojinete
30	G019310	DISCHETTO DI CONTRASTO (10004.102)	Disc	Disque	Scheibe	Disco
31	G019309	PATTINO DI GUIDA LATERALE (10002.102)	Sliding block	Block de glissement	Gleitschuh	Patín

Cilindro di alzata

Detail: 2



Ref. Cod.

1	G034402	DADO BASSO AUTOBL. 7474 M24 ZN
2	G041905	ROSETTA PIANA 6592 D27 ZN
3	G090005	KIT GUARNIZIONI TE-TM 10-12
4	S0306041008	PISTONE CILINDRO TE/TM 10-12/29-36
5,1	S0306073024	STELO CILINDRO ELEVATORI h1600
5,2	S0306053018	STELO CILINDRO ELEVATORE h2900
5,3	S0306023010	STELO CILINDRO ELEVATORI h3600 L16/36
6,1	S0306076016	DISTANZIALE CILINDRO L.12 TE-TM
6,2	S0306056017	DISTANZIALE CILINDRO L.105 TE-TM
6,3	S0306026011	DISTANZIALE CILINDRO L.120 TE-TM
7,1	S0306010143	CILINDRO L10-12/16 VERNICIATO
7,2	S0306010159	CILINDRO L10-12/29 VERNICIATO
7,3	S0306010160	CILINDRO L10-12/36 VERNICIATO
8	G044104	COPIGLIA D 3x30
9	G032304	DADO NORMALE 5588 65 CL8 M14 ZN
10	S0306041004	GHIERA CILINDRO TE/TM 10-12/29-36
12,1	G062006	SPEZZONE CATENA FLAYER BL534-69P
12,2	G062007	SPEZZONE CATENA FLAYER BL534-117P
12,3	G062008	SPEZZONE CATENA FLAYER BL534-133P
13	S0307015017	PETTINE LUNGO TE-TM-L-LVT ZINCATO
14	G044119	COPIGLIA D 1,5x10
15	G062104	PERNO CATENA FLAYER BL544 D6x29
16	S0306051022	PORTAPULEGGIA GHISA TE-TM-L VERNIC.
17	G034301	DADO AUTOBL. 7473 M20 ZN
18	G010401	* CUSCINETTO 6204 2RS (20-47-14)
20	S0306055043	PERNO x PORTAPULEGGIA IN GHISA
21	S0306051019	* PULEGGIA CUSC.DOPPIO VERN.(P.GHISA)

English

Français

Deutsch

Español

Nut	Dés	Mutter	Tuerca
Ring	Rondelle	Beilagscheibe	Arandela
Kit	Kit	Kit	Kit
Piston	Piston	Kolben	Pistón
Stem	Tige	Stange	Vástago
Stem	Tige	Stange	Vástago
Stem	Tige	Stange	Vástago
Spacer	Entretoise	Distanzstück	Distanciador
Spacer	Entretoise	Distanzstück	Distanciador
Spacer	Entretoise	Distanzstück	Distanciador
Cylinder	Cylindre	Zylinder	Cilindro
Cylinder	Cylindre	Zylinder	Cilindro
Cylinder	Cylindre	Zylinder	Cilindro
Cotter Pin	Goupille	Splint	Espiga
Nut	Dés	Mutter	Tuerca
Plug	Collier de serrage	Nutmutter	Anilla
Chain	Chaîne	Kette	Cadena
Chain	Chaîne	Kette	Cadena
Chain	Chaîne	Kette	Cadena
Jumper connection	Liaison	Verbindung	Puente
Cotter Pin	Goupille	Splint	Espiga
Sprig	Pivot	Bolzen	Pernio
Pulley	Poulie	Scheibe	Polea
Nut	Dés	Mutter	Tuerca
Bearing	Roulement	Lager	Cojinete
Sprig	Pivot	Bolzen	Pernio
Pulley	Poulie	Scheibe	Polea

STACKER "L" (1000-1200KG)

ELEKTRO STAPLER "L" (1000-1200KG)

GERBEUR "L" (1000-1200KG)

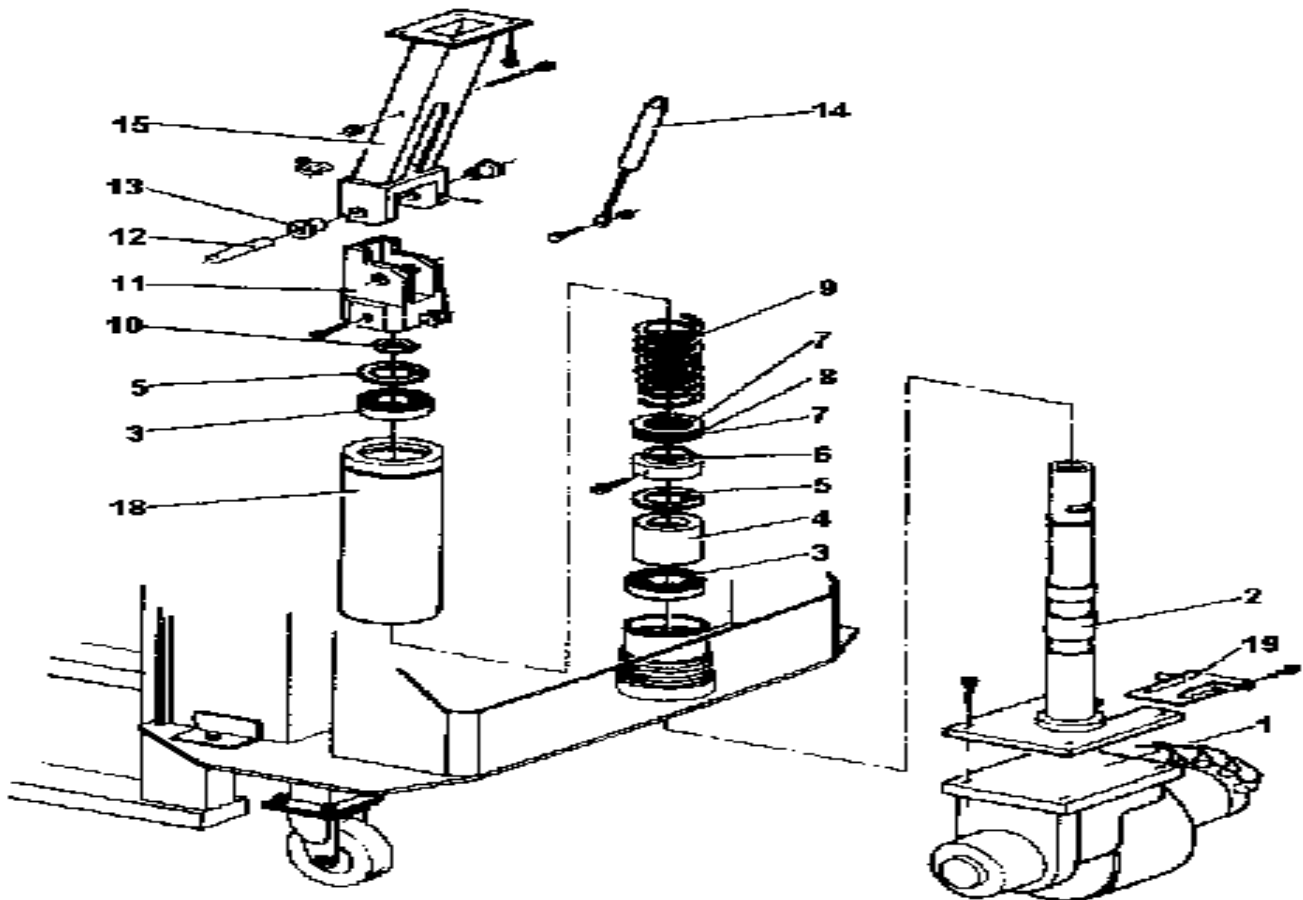
CARRETILLA ELEVADORA "L" (1000-1200KG)

Cilindro di alzata**Detail: 2**

23	S0306015052	* PERNO ALZATA LIBERA L10-L16	Sprig	Pivot	Bolzen	Pernio
24	S0306012071	* PORTAPULEGGIA DOPPIO LAV. L16 "1998"	Pulley	Poulie	Scheibe	Polea
25	S0306051019	* PULEGGIA CUSC.DOPPIO VERN.(P.GHISA)	Pulley	Poulie	Scheibe	Polea
26	G010403	* CUSCINETTO 6005 2RS (25-47-12)	Bearing	Roulement	Lager	Cojinete
27	G042125	SEEGER ESTERNO 3653 E 25	Seeger	Seeger	Seeger-Ring	Seeger
29	G034316	DADO AUTOBL. 7473 M16 ZN	Nut	Dés	Mutter	Tuerca

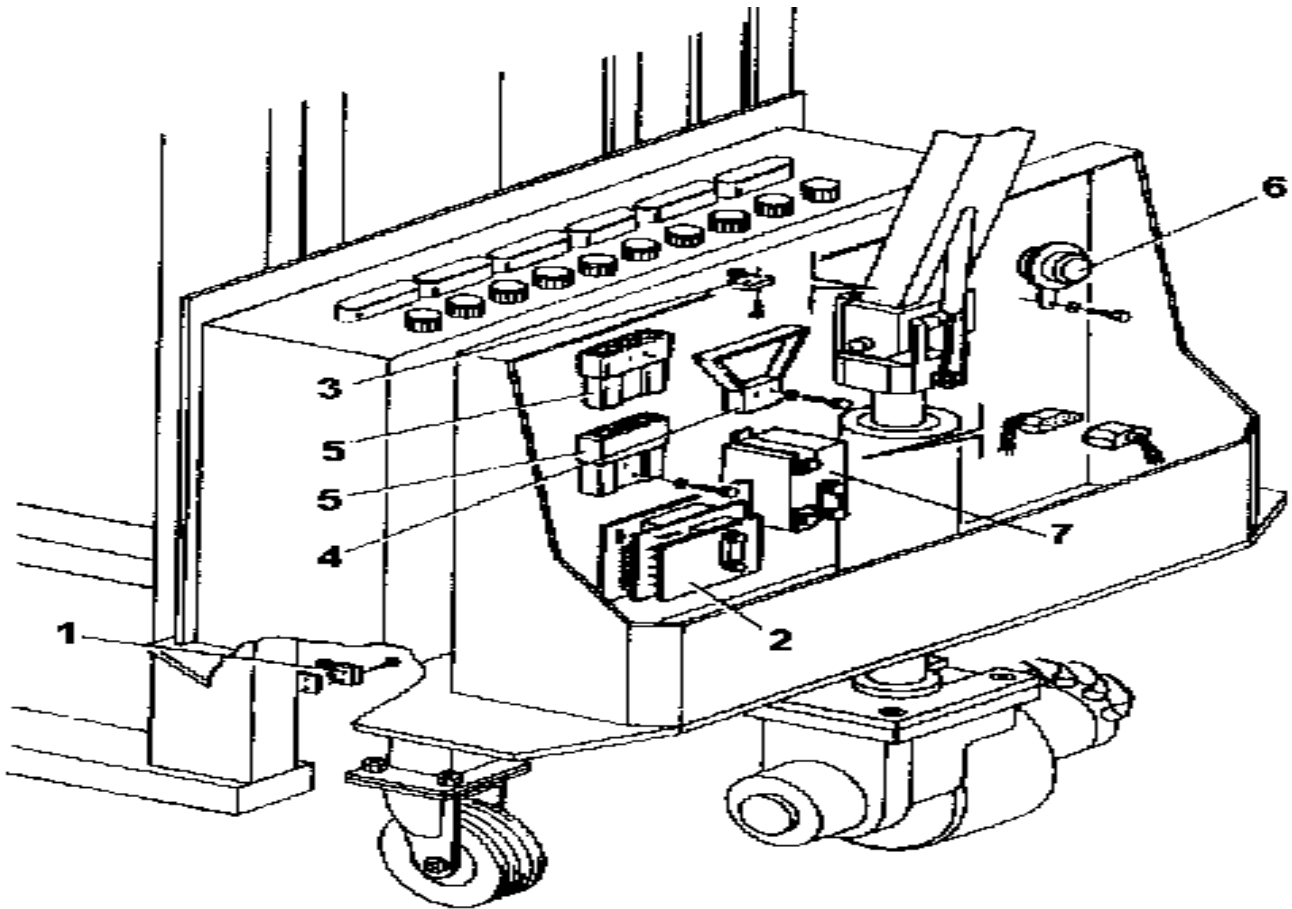
Gruppo di trazione

Detail: 3



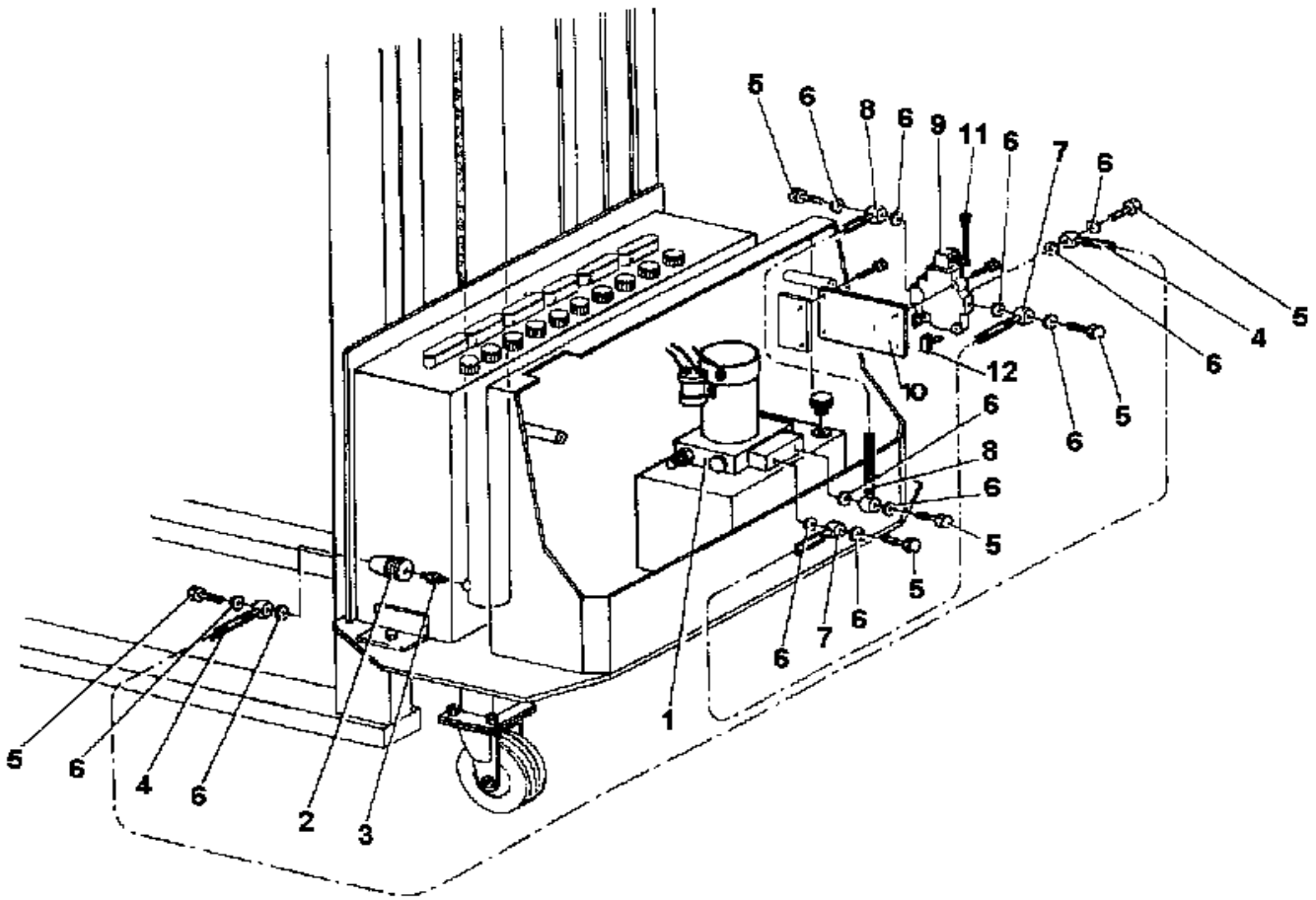
Ref. Cod.

Ref. Cod.	English	Français	Deutsch	Español	
1 G074422	* MOTORUOTA CIMA 10557-1200W 24V xL10 NEW	Gearmotor	Motoreducteur	Getriebemotor	Motoreductor
2 S0303010140	SUPPORTO MOTORUOTA L10 SALD.+VERNIC.	Support	Support	Halterung	Soporte
3 G010214	CUSCINETTO 6010 2Z (50-80-16)	Bearing	Roulement	Lager	Cojinete
4 S0303018002	BOCCOLA SCORRIMENTO MOTORUOTA L10	Bushing	Fourreau	Hülse	Tuerca
5 G042280	SEEGER INTERNO 3654 I 80	Seeger	Seeger	Seeger-Ring	Seeger
6 S0303016030	RONDELLA ALBERO MOTORUOTA L10	Ring	Rondelle	Beilagscheibe	Arandela
7 G014119	RALLA AS 5578	Bearing	Roulement	Lager	Cojinete
8 G014118	GABBIA RULLINI AXK 5578	Bearing	Roulement	Lager	Cojinete
9 G001141	* MOLLA De78 F.11x185 P.22 x L10-L16-L/VT	Seeger	Seeger	Seeger-Ring	Seeger
10 G042150	SEEGER ESTERNO 3653 E 50	Seeger	Seeger	Seeger-Ring	Seeger
11 S0303011010	SUPPORTO TIMONE "L" (VERNICIATO)	Support	Support	Halterung	Soporte
12 S0304013027	PERNO TIMONE L-G-K20	Sprig	Pivot	Bolzen	Pernio
13 G016353	BRONZINA AUTOLUB. 20x28x35 L=20	Bronze bearing	Coussinet en bronze	Bronzelager	Buje de bronze
14 G001703	* MOLLA GAS 198.236.20-GF2 VAPSINT	Spring	Ressort	Feder	Muelle
15 S0304010142	TIMONE VERNICIATO "L"-K20"	Rudder	Timon	Deichsel	Timón
18 S0303010139	PREMIMOLLA LX-GX ZINC.(PASSIVAZ.BIANCA)	Spring press	Presse ressort	Druckfeder	Prensa-muelle
19 S0303010153	STAFFA CAVI MOTORUOTA L10-L16	Bracket	Bride	Blechbügel	Abrazadera



Ref. Cod.

Ref. Cod.	English	Français	Deutsch	Español	
0 S0319012001	CABLAGGIO TIMONE L/G (CURTIS)	Electric wiring	Cable électrique	Elektrische Verkabel	Cable eletrico
0 S0309090220	CABLAGGIO ELETTRICO L (CURTIS)	Electric wiring	Cable électrique	Elektrische Verkabel	Cable eletrico
0 G077544	FUSIBILE VETRO 6.3A(900032REGHEL)	Fuse	Fusible	Schmelzsicherung	Fusible
0 G077540	FUSIBILE 160A (RFM REGHEL)	Fuse	Fusible	Schmelzsicherung	Fusible
1 G075006	MICROINTERRUTTORE MS15 PIZZATO	Microswitch	Microswitch	Mikroschalter	Microswitch
2 G076015	SCHEDA 1207CURTIS TARATA x ELEVATORI L	Electronic card	Fiche electronique	Elektronik-Platine	Ficha eletrica
3 G075004	MICROINTERRUTTORE (XG2-S20) xTIMONE L10	Microswitch	Microswitch	Mikroschalter	Microswitch
4 G071203	MANIGLIA AB 995 G3 (ANDERSON)	Adapter	Connecteur	Verbinder	Conector
5 G071099	CONNETTORE 160A SBE6379G2 ANDERSON	Adapter	Connecteur	Verbinder	Conector
6 G075110	CLACSON 24V DC MOD.K70 + STAFFA "H"	Electrical Compone	Composant Electriq	Elektrischer Bestand	Componente Eléctri
7 S0115010140	CABLAGGIO TELERUTTORI L-K20 CURTIS	Electric wiring	Cable électrique	Elektrische Verkabel	Cable eletrico



Ref. Cod.

1	G081017	* CENTR.223193005 UP100 (NEW x "L")
2	G085003	VALVOLA REGOLAZIONE FLUSSO 3/8"
3	G084103	NYPLE M/M 3/8"
4	G083012	TUBO R1T 3/8" OCCHIO3/8"-3/8"L=1250
5	G084001	VITE FORO 3/8" ESAG. 22
6	G096103	RONDELLA ALLUMINIO 3/8" SPESSORE 2mm
7	G083011	TUBO R1T 3/8" OCCHIO 3/8"-3/8"L=320
8	G083013	TUBO R1T 3/8" OCCHIO 3/8"-3/8"L=500
9	G085002	DISTRIBUTORE HDM140K02 150M.1/274D6
10	S0301012042	PIASTRA DISTRIBUTORE L10
11	G085004	ASTA LEVA AL001 HDM10 M08X125
12	G075004	MICROINTERRUTTORE (XG2-S20) xTIMONE L10

English

Trigger box
Valve
Nipple
Tube
Screw
Ring
Tube
Tube
Distributor
Plate
Rod
Microswitch

Français

Groupe hydraulique
Soupape
Raccord
Tuyau
Vis
Rondelle
Tuyau
Tuyau
Distributeur
Plaque
Barre
Microswitch

Deutsch

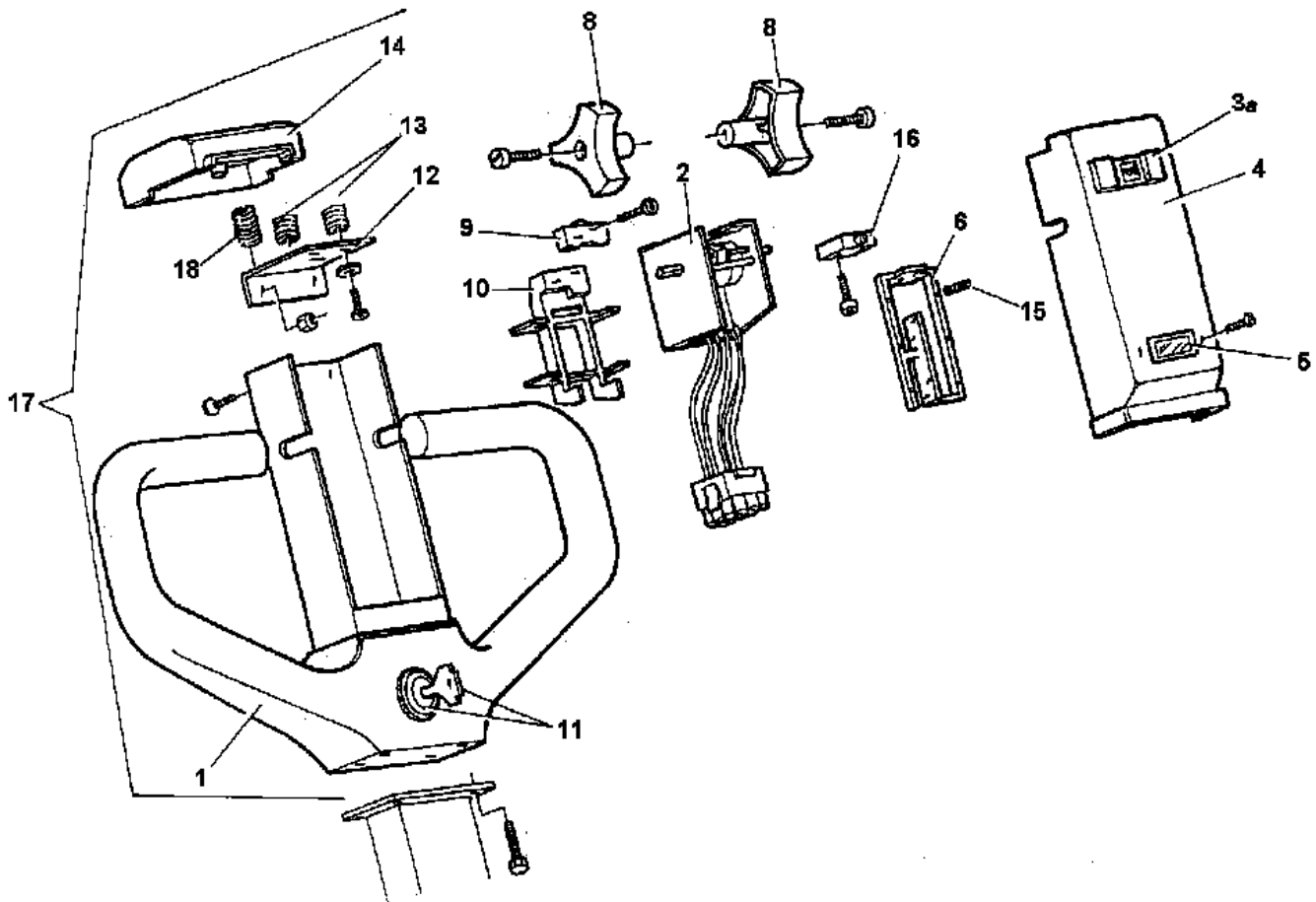
Steuerung
Ventil
Nippel
Rohr
Schraube
Beilagscheibe
Rohr
Rohr
Verteiler
Platte
Stange
Mikroschalter

Español

Caja eléctrica
Valvula
Racor
Tubo
Tornillo
Arandela
Tubo
Tubo
Distribudor
Plancha
Asta
Microswitch

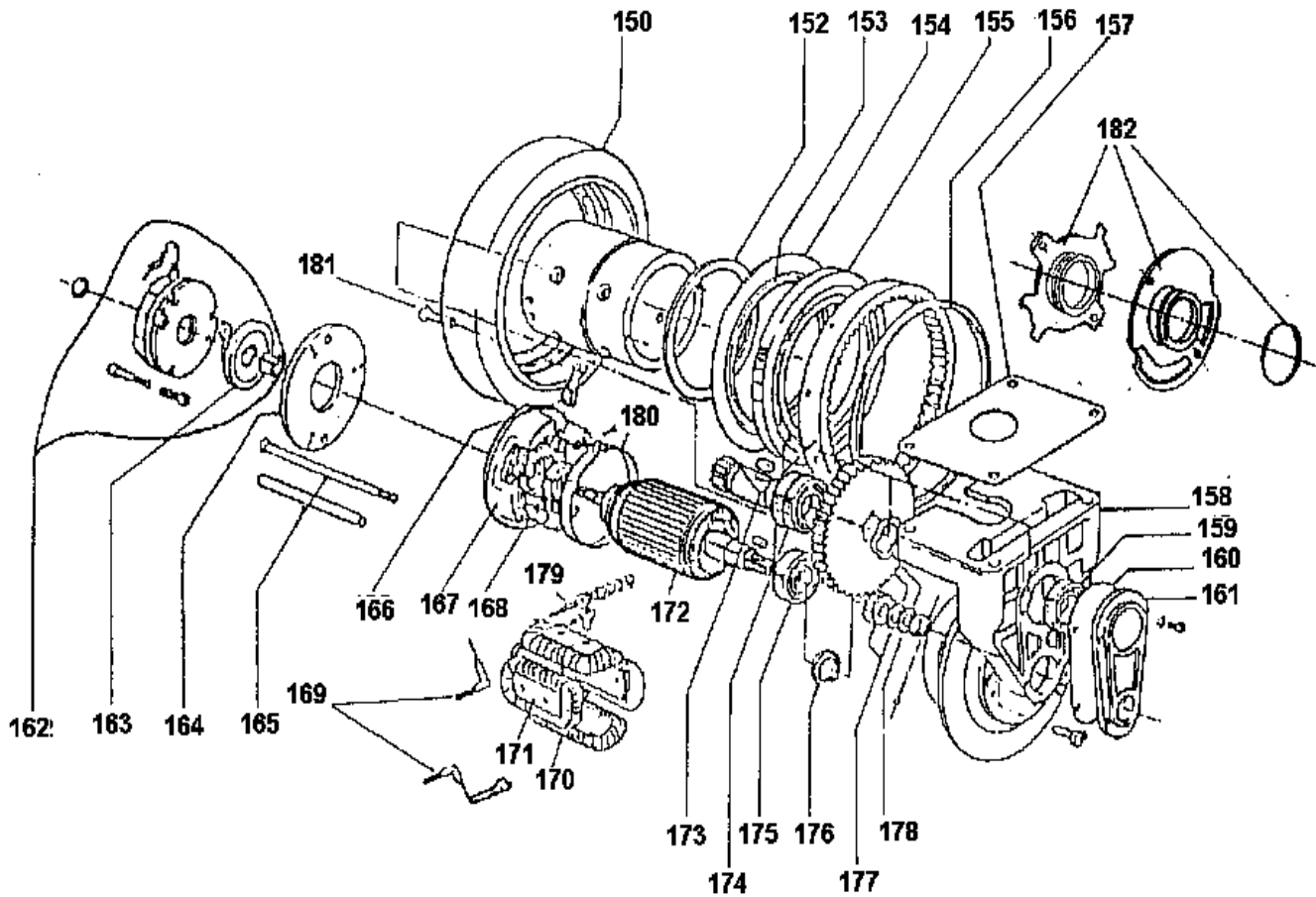
Scatola comandi

Detail: 7



Ref. Cod.

Ref. Cod.	English	Français	Deutsch	Español
1 S0304010208	TIMONIERA RICOPERTA (POLY) LK	Rudder	Timon	Timón
2 G077004	ACCELERATORE ET 103 CABLATO L-G10	Throttle	Accélérateur	Acelerador
3 S0304018020	PULSANTE TIMONE LK	Push button	Poussoir	Botón
4 S0304018019	COPERCHIO TIMONE LK x ELEVATORI	Cover	Chape	Tapa
5 G079005	INDICATORE STATO BATTERIA CURTIS	Indicator	Indicateur	Indicador
6 S0304018022	SUPPORTO MICRO TIMONE LK	Support	Support	Soporte
8 S0304018018	FARFALLA TIMONE LK	Port throttle	Papillon	Estilo de mariposa
9 G075016	MICROINTERRUTTORE CROUZET 5A 250V	Microswitch	Microswitch	Microswitch
10 S0304018021	SUPPORTO POTENZIOMETRO TIMONE LK	Support	Support	Soporte
11 G078058	BLOCCETTO CHIAVE RCH (RCH REGHEL)	Key	Clé	Llave
12 S0304017011	PIASTRINA SUPP.EMERGENZA TIMONE LK	Plate	Plaque	Plancha
13 G001132	MOLLA De11 FILO1 SPIRE4 L10 MOL/ZN	Spring	Ressort	Muelle
14 S0304018017	EMERGENZA TIMONE LK	Emergency	Emergence	Emergencia
15 G001131	MOLLA De5,6 F0,5 SPIRE10 L20 ZINC.	Spring	Ressort	Muelle
16 G075017	MICROINTERRUTTORE XG52-J21	Microswitch	Microswitch	Microswitch
17 S0304010207	TIMONIERA COMPLETA LK/ELEVATORI	Rudder	Timon	Timón
18 G001134	MOLLA De12,3 F1 SPIRE9 L=24 ZINCATA	Spring	Ressort	Muelle



Ref. Cod.

0	G073035	MOTORE MOTOR. 24V 1200W (CIMA32928)
150	G073001	ANELLO MOTORUOTA GOMMA (TE-L10)
150,1	G073110	ANELLO MOTORUOTA VULKOLAN (L10-TE)
150,2	G073226	ANELLO MOTOR.GOMMA ECOLOGICA (L10)
152	G073006	ANELLO (14201 CIMA)
153	G073007	GUARNIZIONE MOTORUOTA (13803 CIMA)
154	G073008	ANELLO PROTEZIONE (14301 CIMA)
155	G073009	CUSCINETTO (91111 CIMA)
156	G073010	GUARNIZIONE MOTORUOTA (13801 CIMA)
157	G073011	GUARNIZIONE MOTORUOTA (13902 CIMA)
158	G073065	FUSIONE MOTORUOTA (13020 CIMA)
159	G073012	CUSCINETTO (91109 CIMA) 16006
160	G073013	GUARNIZIONE (13901 CIMA)
161	G073014	COPERCHIO (14101 CIMA)
162	G073036	ELETTROFRENO MOTOR. 24V (11114CIMA)
163	G073066	FERODO+MOZZO (12914 CIMA)
164	G073016	PIASTRA PORTA FRENO (13703 CIMA)
165	G073067	TIRANTE+TUBETTO (34105+34107+34115CIMA)
166	G073068	KIT SPAZZOLE MOTOR. 24V (CIMA33616)
167	G073019	SUPPORTO COLLETTORE (31886 CIMA)
168	G073020	CUSCINETTO (91103 CIMA) 6201 2Z
169	G073052	MORSETTI+SPAZZOLE(32916+32918 CIMA)
170	G073090	ESPANSIONI POLARI (31711 CIMA)
171	G073070	CAMPO x MOTORUOTA 24V (31515 CIMA)
172	G073072	INDOTTO (31337 CIMA)
173	G073071	PIGNONE RINVIO+CORONA (12923 CIMA)
174	G073026	CUSCINETTO (91109 CIMA) 16006

English

Français

Deutsch

Español

Electric motor	Moteur électrique	Elektromotor	Motor eléctrico
Driving wheel ring	Bandage roue motri	Ring für Antriebsrad	Anillo motorueda
Driving wheel ring	Bandage roue motri	Ring für Antriebsrad	Anillo motorueda
Driving wheel ring	Bandage roue motri	Ring für Antriebsrad	Anillo motorueda
Driving wheel ring	Bandage roue motri	Ring für Antriebsrad	Anillo motorueda
Gasket	Joint	Dichtung	Guarnición
Driving wheel ring	Bandage roue motri	Ring für Antriebsrad	Anillo motorueda
Bearing	Roulement	Lager	Cojinete
Gasket	Joint	Dichtung	Guarnición
Gasket	Joint	Dichtung	Guarnición
Fusion	Fusion	Gußteil	Fusión
Bearing	Roulement	Lager	Cojinete
Gasket	Joint	Dichtung	Guarnición
Cover	Chape	Deckel	Tapa
Brake	Frein	Bremse	Freno
Hub	Moyeu	Nabe	Cubo
Plate	Plaque	Platte	Plancha
Tension rod	Tirant	Zugstange	Tirante
Kit	Kit	Kit	Kit
Support	Support	Halterung	Soporte
Bearing	Roulement	Lager	Cojinete
Clamp	Borne	Klemme	Borne
Expansion	Expansion	Ausdehnung	Expansión
Inductor	Inducteur	Induktor	Inductor
Rotor	Roteur	Rotor	Rotor
Pinion	Pignon	Ritzel	Piñon
Bearing	Roulement	Lager	Cojinete

STACKER "L" (1000-1200KG)

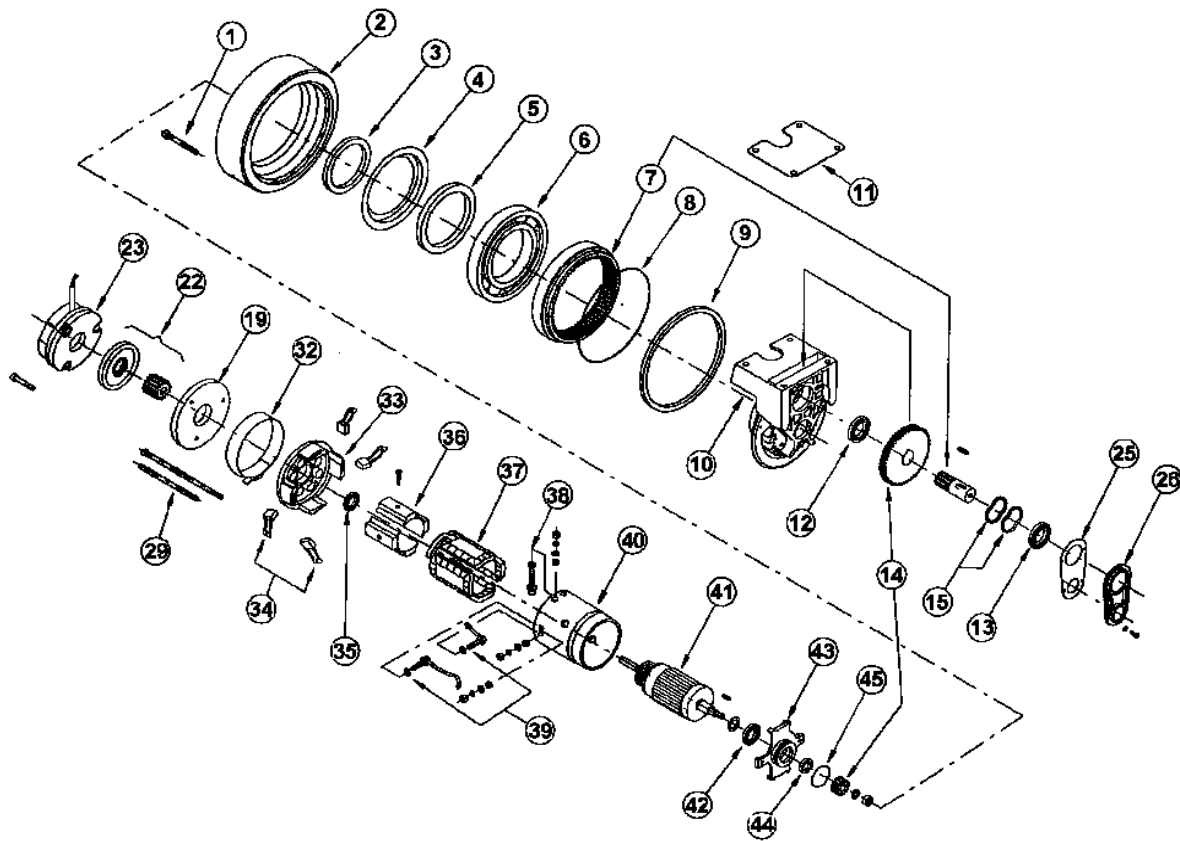
ELEKTRO STAPLER "L" (1000-1200KG)

GERBEUR "L" (1000-1200KG)

CARRETILLA ELEVADORA "L" (1000-1200KG)

Riduttore (fino al 15/06/97)**Detail: 8**

175	G073027	CUSCINETTO (91119 CIMA) 6004 2Z	Bearing	Roulement	Lager	Cojinete
176	G073094	ANELLO TENUTA (90106 CIMA)	Driving wheel ring	Bandage roue motri	Ring für Antriebsrad	Anillo motorueda
177	G073029	PIGNONE+RUOTA COND. (12903 CIMA)	Pinion	Pignon	Ritzel	Piñon
178	G073030	ANELLO COMPENSAZIONE (92702 CIMA)	Driving wheel ring	Bandage roue motri	Ring für Antriebsrad	Anillo motorueda
179	G073031	COPPIA MORSETTI (32901 CIMA)	Clamp	Borne	Klemme	Borne
180	G073032	FASCETTA ALETTATA (33701 CIMA)	Hose clip	Bande	Befestigungsschelle	Tira
181	G073033	VITE FISSAGGIO RUOTA (93615 CIMA)	Screw	Vis	Schraube	Tornillo
182	G073073	SUPPORTO LATO COMANDO (33454 CIMA)	Support	Support	Halterung	Soporte



Ref. Cod.

Ref. Cod.	English	Français	Deutsch	Español	
1 G073242	VITE FISSAGGIO RUOTA (93642 CIMA)	Screw	Vis	Schraube	Tornillo
2 G073312	ANELLO MOT. GOMMA (12953 CIMA) L10 NEW	Driving wheel ring	Bandage roue motri	Ring für Antriebsrad	Anillo motorueda
2,1 G073313	ANELLO MOT. VULK. (12954 CIMA) L10 NEW	Driving wheel ring	Bandage roue motri	Ring für Antriebsrad	Anillo motorueda
2,2 G073328	ANELLO MOTOR.GOMMA ECOLOGICA L10 NEW				
3 G073006	ANELLO (14201 CIMA)	Driving wheel ring	Bandage roue motri	Ring für Antriebsrad	Anillo motorueda
4 G073302	ANELLO PROTEZIONE (14304 CIMA)	Driving wheel ring	Bandage roue motri	Ring für Antriebsrad	Anillo motorueda
5 G073303	GUARNIZIONE MOTORUOTA (90108 CIMA)	Gasket	Joint	Dichtung	Guarnición
6 G073009	CUSCINETTO (91111 CIMA)	Bearing	Roulement	Lager	Cojinete
7 G073304	PIGNONE RINVIO+CORONA (12946 CIMA)	Pinion	Pignon	Ritzel	Piñon
8 G073305	OR PER CORONA (91534 CIMA)	O-ring	O-ring	O-Ring	Anillo o-ring
9 G073306	GUARNIZIONE MOTORUOTA (90115 CIMA)	Gasket	Joint	Dichtung	Guarnición
10 G073307	FUSIONE MOTORUOTA (13054 CIMA)	Fusion	Fusion	Gußteil	Fusión
11 G073011	GUARNIZIONE MOTORUOTA (13902 CIMA)	Gasket	Joint	Dichtung	Guarnición
12 G073247	CUSCINETTO (91110 CIMA)	Bearing	Roulement	Lager	Cojinete
13 G073026	CUSCINETTO (91109 CIMA) 16006	Bearing	Roulement	Lager	Cojinete
14 G073029	PIGNONE+RUOTA COND. (12903 CIMA)	Pinion	Pignon	Ritzel	Piñon
15 G073030	ANELLO COMPENSAZIONE (92702 CIMA)	Driving wheel ring	Bandage roue motri	Ring für Antriebsrad	Anillo motorueda
19 G073016	PIASTRA PORTA FRENO (13703 CIMA)	Plate	Plaque	Platte	Plancha
22 G073066	FERODO+MOZZO (12914 CIMA)	Hub	Moyeu	Nabe	Cubo
23 G073036	ELETTROFRENO MOTOR. 24V (11114CIMA)	Brake	Frein	Bremse	Freno
25 G073013	GUARNIZIONE (13901 CIMA)	Gasket	Joint	Dichtung	Guarnición
26 G073014	COPERCHIO (14101 CIMA)	Cover	Chape	Deckel	Tapa
29 G073067	TIRANTE+TUBETTO (34105+34107+34115CIMA)	Tension rod	Tirant	Zugstange	Tirante
32 G073032	FASCETTA ALETTATA (33701 CIMA)	Hose clip	Bande	Befestigungsschelle	Tira
33 G073019	SUPPORTO COLLETTORE (31886 CIMA)	Support	Support	Halterung	Soporte
34 G073068	KIT SPAZZOLE MOTOR. 24V (CIMA33616)	Kit	Kit	Kit	Kit
35 G073249	CUSCINETTO COLLETTORE (91120 CIMA)	Bearing	Roulement	Lager	Cojinete

STACKER "L" (1000-1200KG)

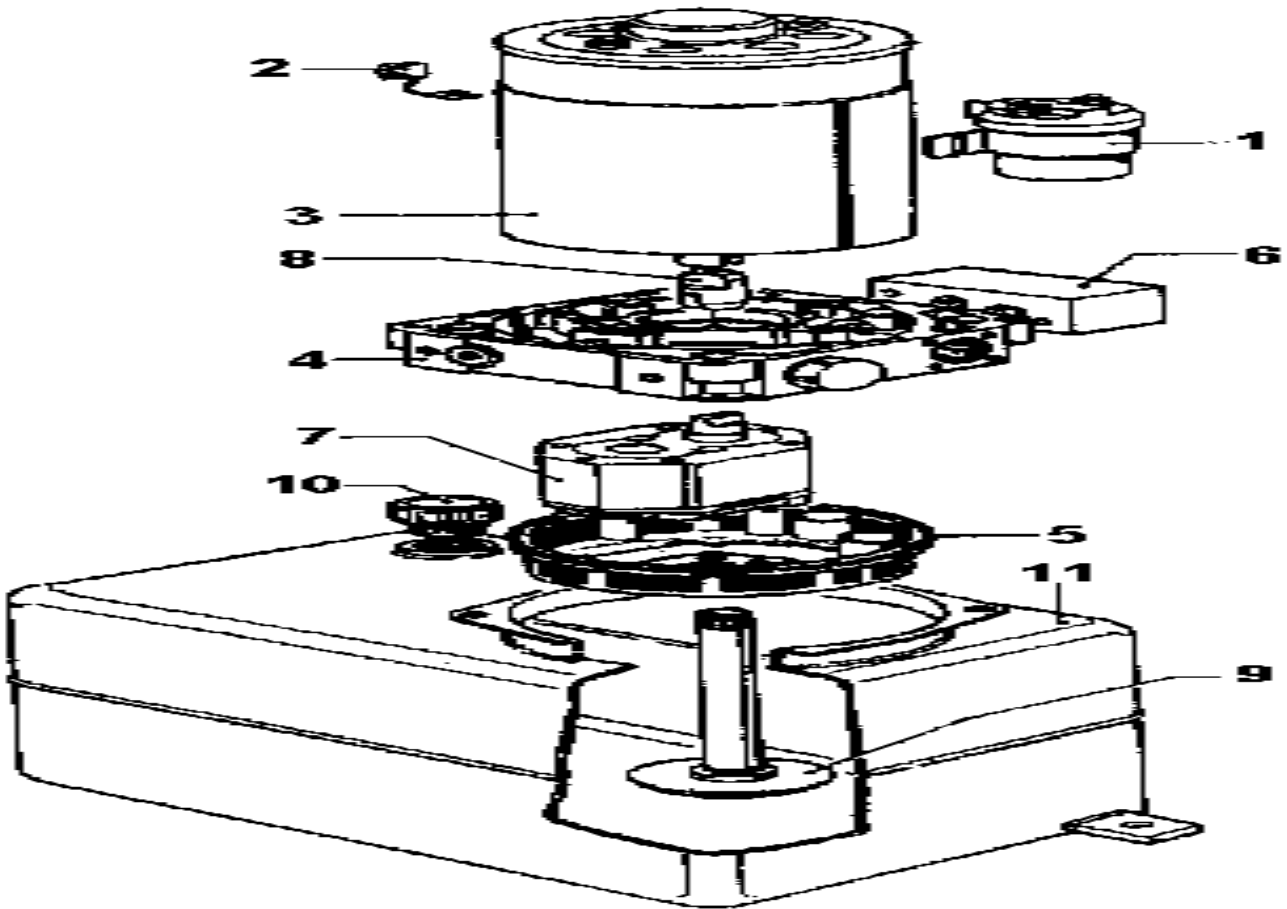
ELEKTRO STAPLER "L" (1000-1200KG)

GERBEUR "L" (1000-1200KG)

CARRETILLA ELEVADORA "L" (1000-1200KG)

RIDUTTORE (dal 15/06/97)**Detail: 8.1**

36	G073090	ESPANSIONI POLARI (31711 CIMA)	Expansion	Expansion	Ausdehnung	Expansión
37	G073070	CAMPO x MOTORUOTA 24V (31515 CIMA)	Inductor	Inducteur	Induktor	Inductór
38	G073031	COPPIA MORSETTI (32901 CIMA)	Clamp	Borne	Klemme	Borne
39	G073052	MORSETTI+SPAZZOLE(32916+32918 CIMA)	Clamp	Borne	Klemme	Borne
40	G073252	CARCASSA MOTORE (33057 CIMA)	Frame	Carcasse	Gehäuse	Carcasa
41	G073309	INDOTTO (31253 CIMA)	Rotor	Roteur	Rotor	Rotor
42	G073027	CUSCINETTO (91119 CIMA) 6004 2Z	Bearing	Roulement	Lager	Cojinete
43	G073207	SUPPORTO LATO COMANDO (33461 CIMA)	Support	Support	Halterung	Soporte
44	G073208	ANELLO DI TENUTA (90101 CIMA)	Driving wheel ring	Bandage roue motri	Ring für Antriebsrad	Anillo motorueda
45	G073256	O-RING SUPP.LATO COMANDO(91528CIMA)	O-ring	O-ring	O-Ring	Anillo o-ring
48	G073314	MOTORE MOTOR. 24V 1200W (CIMA30277)	Electric motor	Moteur electrique	Elektromotor	Motor elettrico

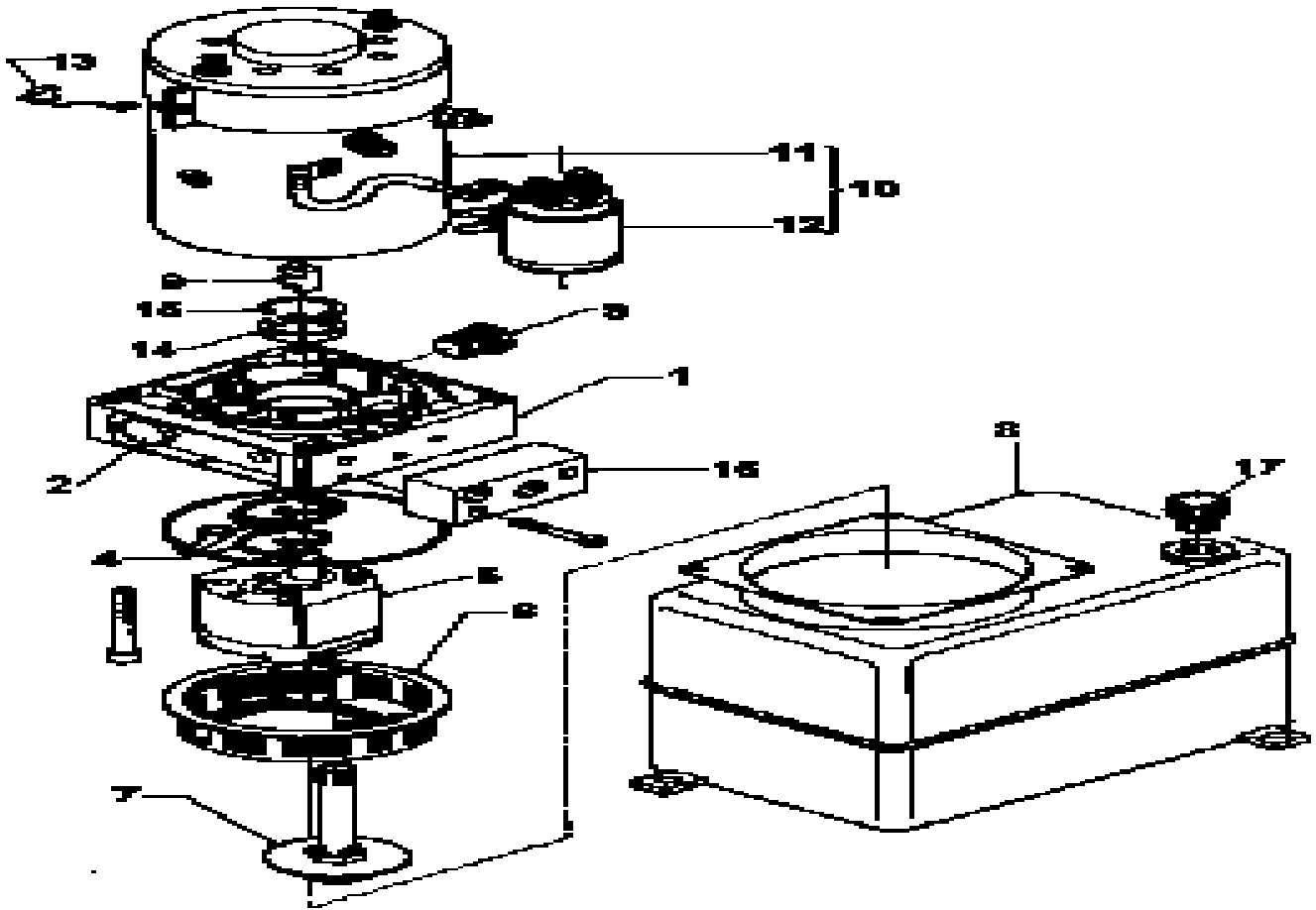


Ref. Cod.

Ref. Cod.	English	Français	Deutsch	Español
1 G082127	* RELE'COMPL. 24V CC P.C-E-F-G (EF.)	Relais	Relais	Relay
2 G082147	KIT SPAZZOLE T.E. 12-24V CC 13809	Kit	Kit	Kit
3 G082182	* MOTORE CC T109E 24V(HIDR.543924205)	Electric motor	Moteur electrique	Motor eletrico
4 G082089	COPERCHIO UP10 K115 00VC00-AP100	Cover	Chape	Tapa
5 G082090	FILTRO CONV.150 MICRON (757500070)	Filter	Filtre	Filtro
6 G082091	PIASTRA 1013 3/8G (HIDR.765000600)	Plate	Plaque	Plancha
7 G082092	POMPA AP100/2,5 S.409 (748230030)	Pump	Pompe	Bomba
8 G082093	GIUNTO TRASC. E45 M.C.C. 1500W 12V	Joint	Joint	Junta
9 G082096	GRUPPO ASP. SERB. 7L (759900220)	Suction filter unit	Groupe aspiration	Grupo aspiración
10 G082099	TAPPO CARICO SF1/2G(HIDR.527060502)	Plug	Bouchon	Tapa
11 G082095	SERBATOIO L.7 VR.X S164 (672490290)	Tank	Reservoir	Deposito

Centralina idraulica (UP100 DAL 08/09/96)

Detail: 9.1

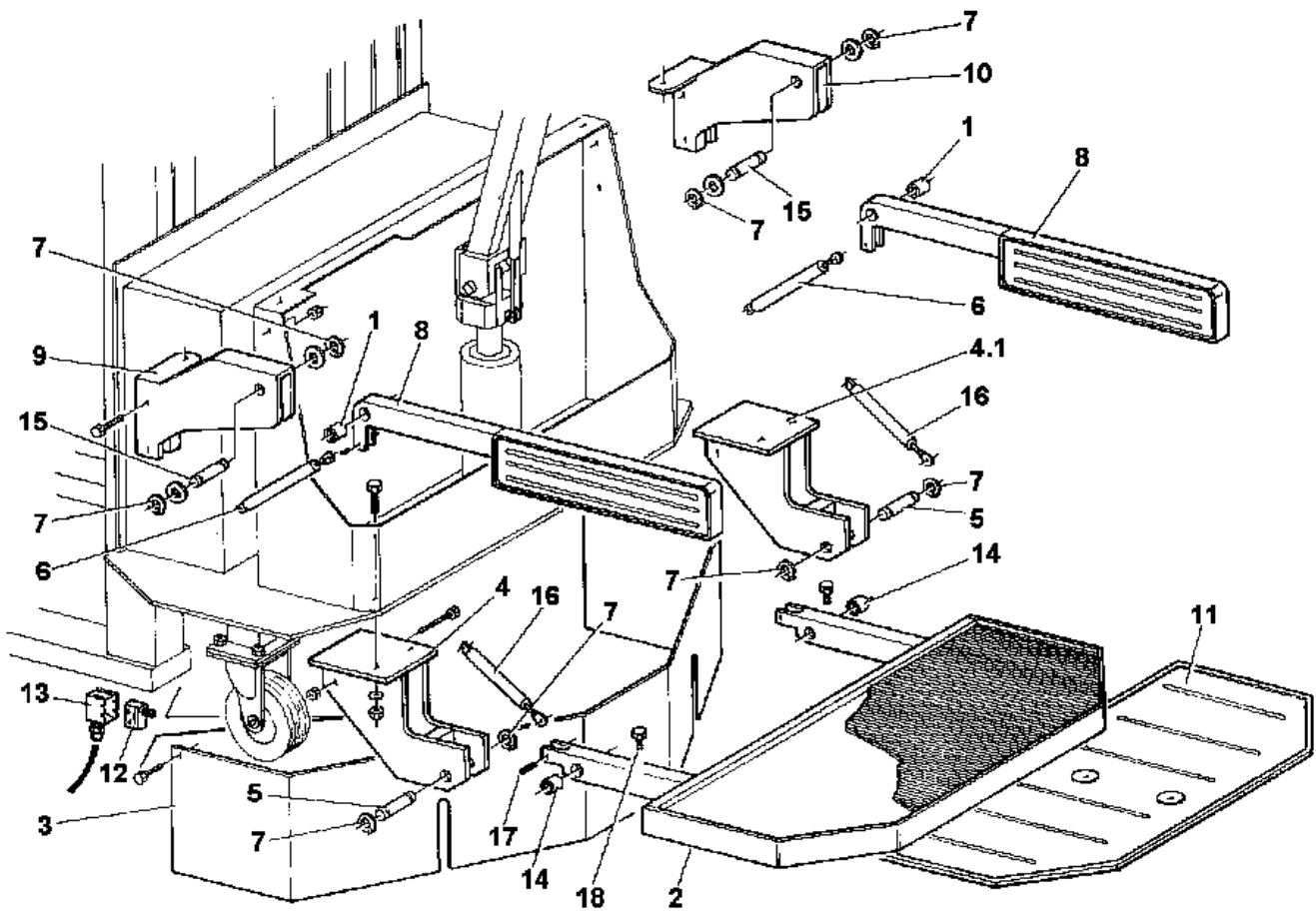


Ref. Cod.

Ref. Cod.	English	Français	Deutsch	Español
1 G082189	Pump	Pompe	Pumpe	Bomba
2 G082190	Plug	Bouchon	Verschlußstopfen	Tapa
3 G082191	Plug	Bouchon	Verschlußstopfen	Tapa
4 G082165	Kit	Kit	Kit	Kit
5 G082168	Pump	Pompe	Pumpe	Bomba
6 G082090	Filter	Filtre	Filter	Filtro
7 G082192	Suction filter unit	Groupe aspiration	Ansaugeneinheit	Grupo aspiración
8 G082095	Tank	Reservoir	Tank	Deposito
9 G082158	Trigger box	Groupe hydraulique	Steuerung	Caja eletrica
11 G082182	Electric motor	Moteur electrique	Elektromotor	Motor eletrico
12 G082127	Relay	Relais	Relais	Relay
13 G082147	Kit	Kit	Kit	Kit
14 G082193	Oil seal	Bague	Ölabstreifer	Contenedor aceite
15 G082179	Driving wheel ring	Bandage roue motri	Ring für Antriebsrad	Anillo motorueda
16 G082091	Plate	Plaque	Platte	Plancha
17 G082099	Plug	Bouchon	Verschlußstopfen	Tapa

Pedana

Detail: 99



Ref. Cod.

Ref. Cod.	English	Français	Deutsch	Español	
1 S0004018002	BRONZINA CORPO POMPA GS (20x22x10)	Bronze bearing	Coussinet en bronze	Bronzelager	Buje de bronce
2 S0300010164	PIATTAFORMA PEDANA "L" VERNIC.	Support	Support	Halterung	Soporte
3 S0300010176	PROTEZIONE RUOTE L10 PEDANA MONTATA	Protection	Protection	Schutz	Protección
4 S0300011028	* SUPP. ANCORAGGIO SX PEDANA L (VERN) NEW	Articulated joint	Joint à rotule	Gelenk	Estracción
4,1 S0300011029	* SUPP. ANCORAGGIO DX PEDANA L (VERN) NEW	Articulated joint	Joint à rotule	Gelenk	Estracción
5 S0300015034	PERNO ANCORAGGIO PEDANA ELEVATORE L	Sprig	Pivot	Bolzen	Pernio
6 G001709	* MOLLA GAS 198.225.30 (PEDANA K20)	Seeger	Seeger	Seeger-Ring	Seeger
7 G042120	SEEGER ESTERNO 3653 E 20	Support	Support	Halterung	Soporte
8 S0300018013	BARRIERA PEDANA ELEVATORE L	Support	Support	Halterung	Soporte
9 S0300011013	SUPPORTO SX BARRIERA PEDANA L VERNICIATO	Support	Support	Halterung	Soporte
10 S0300011014	SUPPORTO DS BARRIERA PEDANA L VERNICIATO	Support	Support	Halterung	Soporte
11 S0300018012	CARTER PEDANA L10-L16	Guard	Carter	Gehäuseteil	Carter
12 G075006	MICROINTERRUTTORE MS15 PIZZATO	Microswitch	Microswitch	Mikroschalter	Microswitch
13 G070301	CALOTTA CON PRESSACAPO CO2	Cover	Calotte	Abdeckung	Protección
14 G016350	BRONZINA AUTOLUB. 20x28x20	Bronze bearing	Coussinet en bronze	Bronzelager	Buje de bronce
15 S0041015002	PERNO CROCIERA HL10M/PED."L"- "K20"	Sprig	Pivot	Bolzen	Pernio
16 G001707	* MOLLA GAS 198.355.50 GF2 x PEDANA L-K20	Spring	Ressort	Feder	Muelle
17 S0300015028	PERNO ATTACCO MOLLA A GAS	Sprig	Pivot	Bolzen	Pernio
18 G024301	PIEDINO IN GOMMA 20x7 M6x15	Support foot	Pied support	Stützfuß	Pie de apoyo

Pedana

Detail: 99

* Modifiche / Updates / Modifications / Änderungen / Modificaciones :

Rev.: 0

20/12/1999

Det. Ref.	Present Code	Serial N.	Old	New	Interc.	Dat.
1	3	G053405	RPR0047	G053406	<input type="checkbox"/>	01/01/1994
1	3	G053405	G053406	G053405	<input type="checkbox"/>	01/11/1996
1	4	G053313	G053317	G053313	<input type="checkbox"/>	01/11/1996
1	28	G053316	G053314	G053316	<input type="checkbox"/>	01/11/1996
2	18	G010401	G010206	G010207	<input checked="" type="checkbox"/>	01/01/1999
2	18	G010401	G010207	G010401	<input checked="" type="checkbox"/>	27/04/1999
2	21	S0306051019	S0306011002	S0306051019	<input type="checkbox"/>	07/01/1998
2	23	S0306015052	S0306015002	S0306015052	<input checked="" type="checkbox"/>	01/01/2000
2	24	S0306012071	S0306012015	S0306012071	<input type="checkbox"/>	07/01/1998
2	25	S0306051019	S0306011002	S0306051019	<input type="checkbox"/>	07/01/1998
2	26	G010403	G010204	G010403	<input checked="" type="checkbox"/>	27/04/1999
2	26	G010403	G010108	G010204	<input type="checkbox"/>	07/01/1998
3	1	G074422	G074401	G074422	<input checked="" type="checkbox"/>	15/06/1997
3	9	G001141	G001108	G001141	<input checked="" type="checkbox"/>	01/01/1997
3	14	G001703	G001701	G001703	<input type="checkbox"/>	01/10/1996
5	1	G081017	G081003	G081017	<input checked="" type="checkbox"/>	07/09/1996
9	1	G082127	G082120	G082127	<input checked="" type="checkbox"/>	01/09/1999
9	3	G082182	G082088	G082182	<input checked="" type="checkbox"/>	01/01/2000
9.1	12	G082127	G082120	G082127	<input checked="" type="checkbox"/>	01/09/1999
99	4	S0300011028	S0300011012	S0300011028	<input type="checkbox"/>	01/12/1997
99	4,1	S0300011029	S0300011024	S0300011029	<input type="checkbox"/>	01/12/1997
99	6	G001709	G001701	G001709	<input checked="" type="checkbox"/>	09/07/1998
99	16	G001707	G001706	G001707	<input type="checkbox"/>	01/06/1997