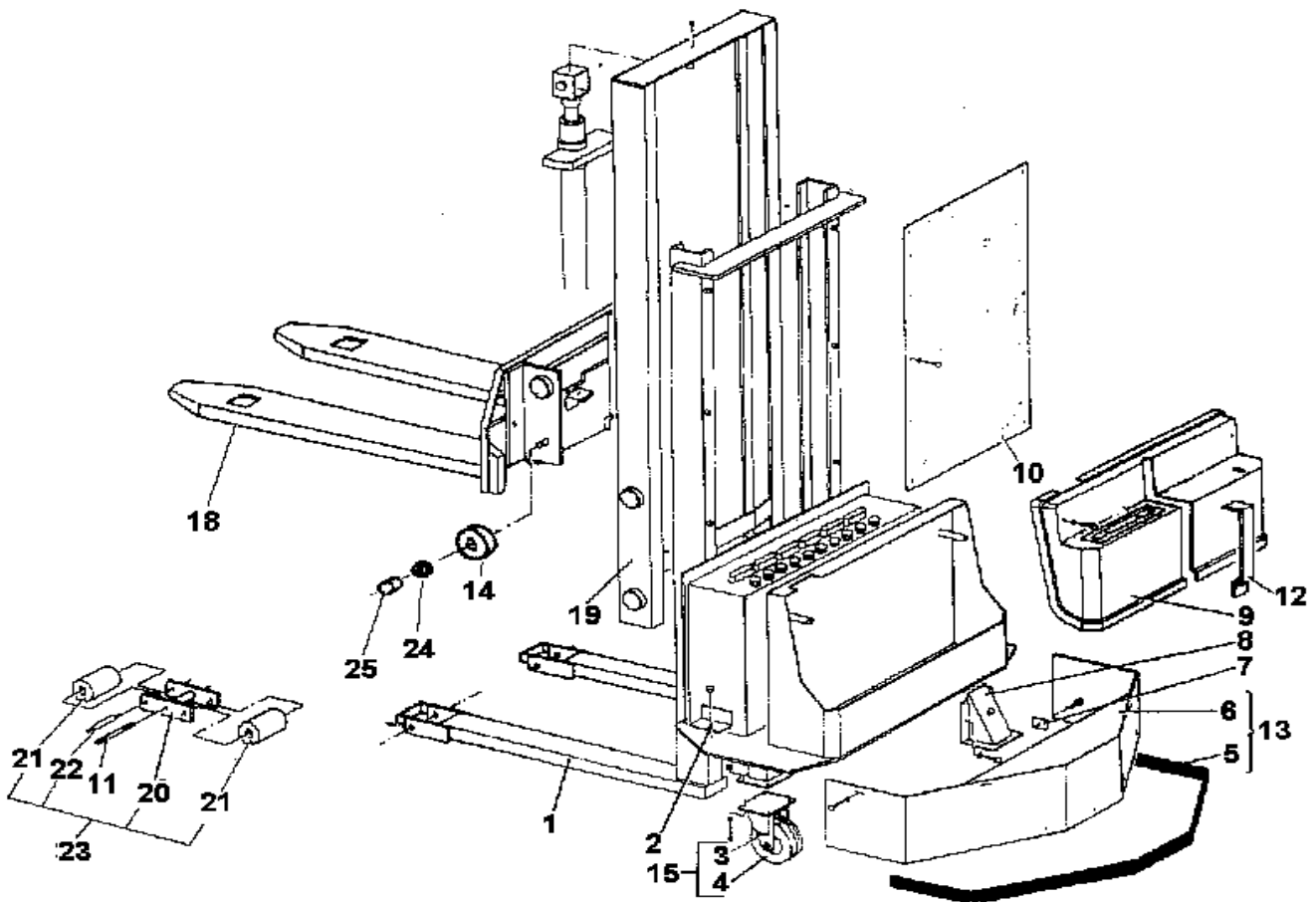


Telaio

Detail: 1

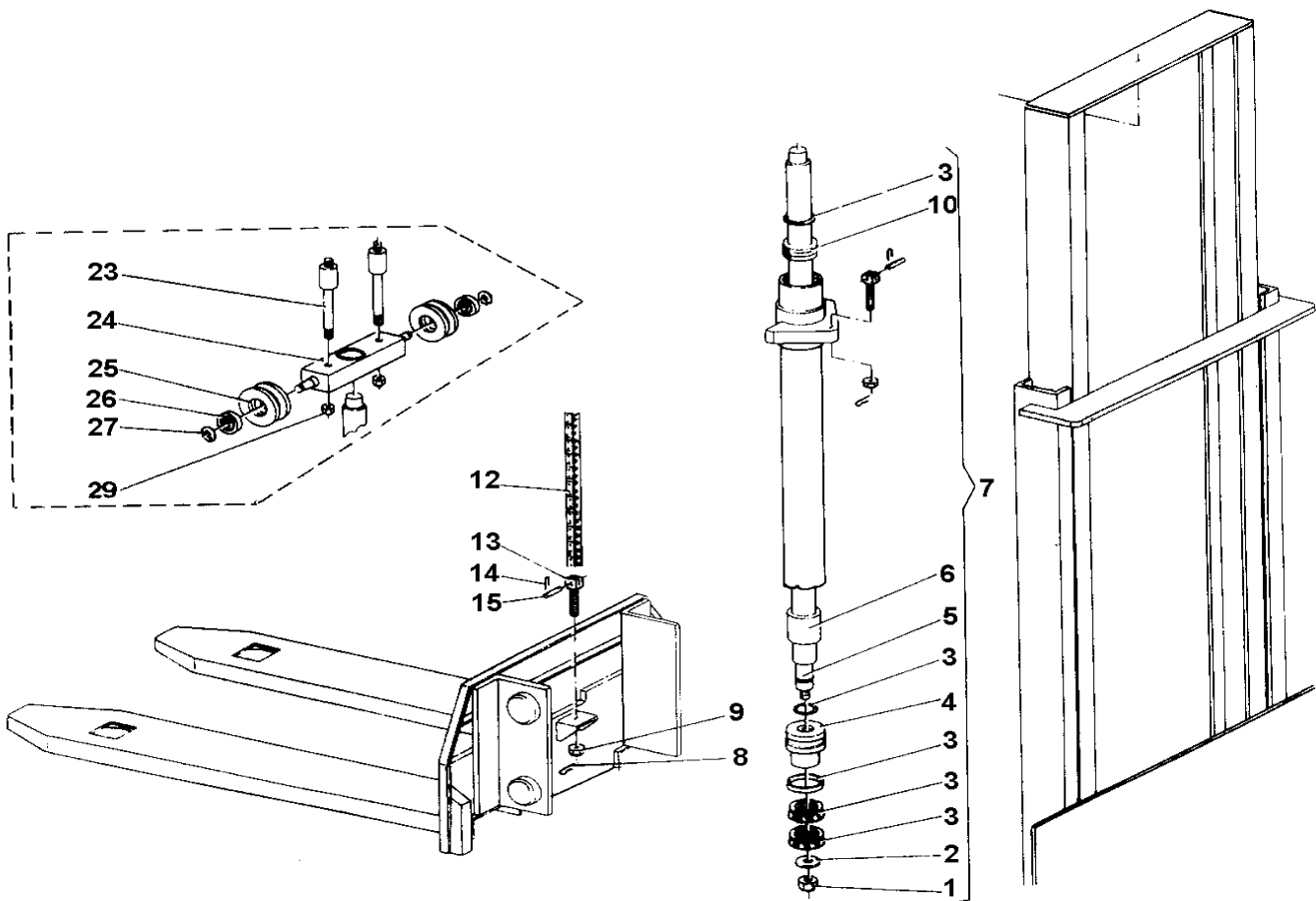


Ref. Cod.

Ref. Cod.	English	Français	Deutsch	Español		
1	V0301010150-100	TELAIO L 16/29 VERNIC.GIALLO RAL 1003	Chassis	Chassis	Rahmen	Chasis
1,1	V0301010152-100	TELAIO L 16/36 VERNIC.GIALLO RAL 1003	Chassis	Chassis	Rahmen	Chasis
2	S0301017004	FERMO BATTERIA L10 VERNICIATO FIAMM	Trap	Limiteur de corse	Anschlag	Bloqueador
3	G053405	SUPPORTO GIR.EP.RUOTA D150X50(0705) xL16	Support	Support	Halterung	Soporte
4	G053322	* RUOTA POLY.C Z150x50/50 (110) x L16	Drive wheel	Roue	Rad	Rueda
5	S0300018005	* GOMMA PROTEZIONE RUOTE L10 LARG.850	Gum	Gomme	Gummi	Goma
6	S0300010145	* PROTEZIONE RUOTE L10 VERNICIATA	Protection	Protection	Schutz	Protección
7	G07145	PIASTRINA FISSAGGIO GOMMA L10	Plate	Plaque	Platte	Plancha
8	S0300018007	FRONTALINO CARTER COFANO L10 ABS	Guard	Carter	Gehäuseteil	Carter
9	S0300018004	CARTER COFANO L	Guard	Carter	Gehäuseteil	Carter
10	S0300018009	VETRO PROTEZIONE L10-12-16/3600	Glass	Verre	Glas	Vidrio
11	S0302015042	PERNO SCARPETTA L16 (BRUNITO)	Sprig	Pivot	Bolzen	Pernio
12	S0300018010	CHIUSURA CARTER COFANO L10 ABS	Guard	Carter	Gehäuseteil	Carter
13	S0300010168	* PROTEZIONE RUOTE L10 MONTATA	Protection	Protection	Schutz	Protección
14	G019301	* CUSCINETTO RULLI CILINDR.D77.7 xG019104	Bearing	Roulement	Lager	Cojinete
15	G053326	* RUOTA POLY.C Z150x50/50 (110) SPG E70	Drive wheel	Roue	Rad	Rueda
18	S0307010236	FORCA COMPLETA VERNICIATA LR13/16	Fork	Fourche	Gabel	Horca
18,1	S0307010234	FORCA COMPLETA VERNICIATA LR13/29-36	Fork	Fourche	Gabel	Horca
19	S0305010228	SECONDO STADIO L16/29 LR13/29 VERNICIATO	Second pillar	Mat interieur	Zweite Stufe	Segundo estadio
19,1	S0305010229	SECONDO STADIO L16/36 LR13/36 VERNICIATO	Second pillar	Mat interieur	Zweite Stufe	Segundo estadio
20	S0302010004	TANDEM VERNICIATO L16 - LVT	Roller guide	Porte rouleau	Rollenträger	Portarulo
21	S0302020117	* RULLO POLY.C D82x70 + CUSCINETTI	Roll	Roulean	Rolle	Rodillo
22	S0302015026	PERNO TANDEM TE/TM/L10 (BRUNITO)	Sprig	Pivot	Bolzen	Pernio
23	S0302010006	TANDEM COMPLETO RULLI POLY.C L16 - LVT	Roller guide	Porte rouleau	Rollenträger	Portarulo
24	G019305	DISCO TAMPONE REGISTRABILE xG019104	Cover	Chape	Deckel	Tapa
25	G019304	TAMPONE REGISTRABILE NYLON xG019104	Shim	Épaisseur	Distanzstück	Espesor

Cilindro di alzata

Detail: 2



Ref. Cod.

Ref. Cod.	English	Français	Deutsch	Español		
1	G034402	DADO BASSO AUTOBL. 7474 M24 ZN	Nut	Dés	Mutter	Tuerca
2	G041905	ROSETTA PIANA 6592 D27 ZN	Ring	Rondelle	Beilagscheibe	Arandela
3	G090004	KIT GUARNIZIONI TE18-L16	Kit	Kit	Kit	Kit
4	S0306011007	PISTONE CILINDRO TE18-L16	Piston	Piston	Kolben	Pistón
5,1	S0306033012	STELO CILINDRO L16/16	Stem	Tige	Stange	Vástago
5,2	S0306013005	STELO CILINDRO L16/29	Stem	Tige	Stange	Vástago
5,3	S0306023010	STELO CILINDRO ELEVATORI h3600 L16/36	Stem	Tige	Stange	Vástago
6,1	S0306036012	DISTANZIALE CILINDRO L.90 TE-TM	Spacer	Entretoise	Distanzstück	Distanciador
6,2	S0306016010	DISTANZIALE CILINDRO L.150 TE-TM	Spacer	Entretoise	Distanzstück	Distanciador
6,3	S0306026011	DISTANZIALE CILINDRO L.120 TE-TM	Spacer	Entretoise	Distanzstück	Distanciador
7,1	S0306010156	CILINDRO L16/16 VERNICIATO	Cylinder	Cylindre	Zylinder	Cilindro
7,2	S0306010161	CILINDRO L16/29 VERNICIATO	Cylinder	Cylindre	Zylinder	Cilindro
7,3	S0306010162	CILINDRO L16/36 VERNICIATO	Cylinder	Cylindre	Zylinder	Cilindro
8	G044104	COPIGLIA D 3x30	Cotter Pin	Goupille	Splint	Espiga
9	G032304	DADO NORMALE 5588 65 CL8 M14 ZN	Nut	Dés	Mutter	Tuerca
10	S0306011003	GHIERA CILINDRO TE 18/29	Plug	Collier de serrage	Nutmutter	Anilla
12,1	G062006	SPEZZONE CATENA FLAYER BL534-69P	Chain	Chaîne	Kette	Cadena
12,2	G062012	SPEZZONE CATENA FLAYER BL534-111P	Chain	Chaîne	Kette	Cadena
12,3	G062008	SPEZZONE CATENA FLAYER BL534-133P	Chain	Chaîne	Kette	Cadena
13	S0307015017	PETTINE LUNGO TE-TM-L-LVT ZINCATO	Jumper connection	Liaison	Verbindung	Puente
14	G044119	COPIGLIA D 1,5x10	Cotter Pin	Goupille	Splint	Espiga
15	G062104	PERNO CATENA FLAYER BL544 D6x29	Sprig	Pivot	Bolzen	Pernio
23	S0306015052	* PERNO ALZATA LIBERA L10-L16	Sprig	Pivot	Bolzen	Pernio
24	S0306012072	* PORTAPULEGGIA DOPPIO L16 VERNIC. "1998"	Pulley	Poulie	Scheibe	Polea
25	S0306051019	* PULEGGIA CUSC. DOPPIO VERN. (P. GHISA)	Pulley	Poulie	Scheibe	Polea
26	G010403	* CUSCINETTO 6005 2RS (25-47-12)	Bearing	Roulement	Lager	Cojinete
27	G042125	SEEGER ESTERNO 3653 E 25	Seeger	Seeger	Seeger-Ring	Seeger

L16**CARRELLO ELEVATORE MOD. "L " (1600KG)**

STACKER "L " (1600KG)

ELEKTRO STAPLER "L " (1600KG)

GERBEUR "L " (1600KG)

CARRETILLA ELEVADORA "L " (1600KG)

Cilindro di alzata**Detail: 2**

29 G034316

DADO AUTOBL. 7473 M16 ZN

Nut

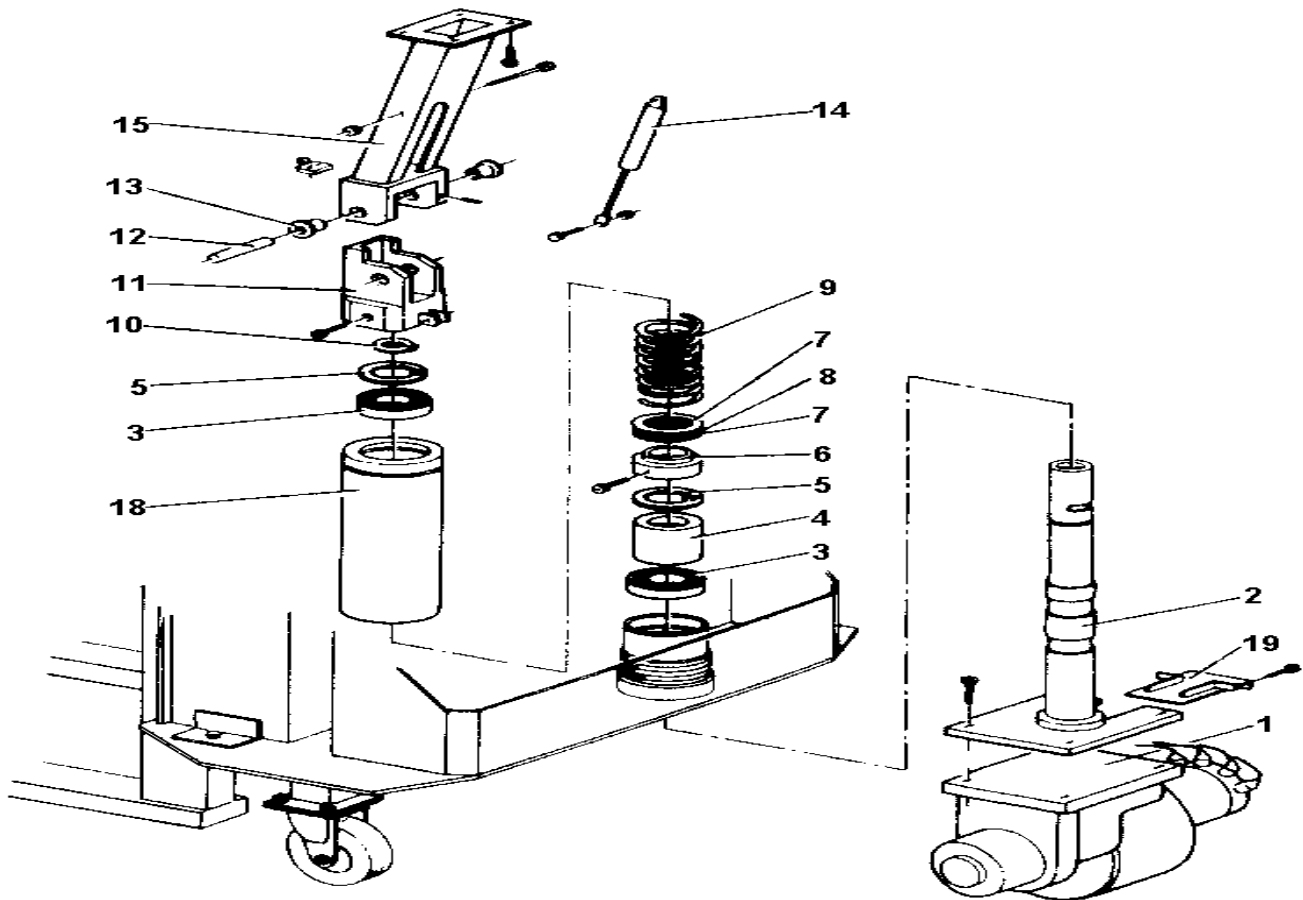
Dés

Mutter

Tuerca

Gruppo di trazione

Detail: 3



Ref. Cod.

1	G074418	* MOTORUOTA CIMA 10567 1200W 24V xL16 NEW
2	S0303010157	SUPPORTO MOTORUOTA L16 SALD.+VERNIC.
3	G010214	CUSCINETTO 6010 2Z (50-80-16)
4	S0303018002	BOCCOLA SCORRIMENTO MOTORUOTA L10
5	G042280	SEEGER INTERNO 3654 I 80
6	S0303016030	RONDELLA ALBERO MOTORUOTA L10
7	G014119	RALLA AS 5578
8	G014118	GABBIA RULLINI AXK 5578
9	G001141	* MOLLA De78 F.11x185 P.22 x L10-L16-L/VT
10	G042150	SEEGER ESTERNO 3653 E 50
11	S0303011010	SUPPORTO TIMONE "L" (VERNICIATO)
12	S0304013027	PERNO TIMONE L-G-K20
13	G016353	BRONZINA AUTOLUB. 20x28x35 L=20
14	G001703	* MOLLA GAS 198.236.20-GF2 VAPSINT
15	S0304010142	TIMONE VERNICIATO "L"-K20"
18	S0303010139	PREMIMOLLA LX-GX ZINC.(PASSIVAZ.BIANCA)
19	S0303010153	STAFFA CAVI MOTORUOTA L10-L16

English

Gearmotor
Support
Bearing
Bushing
Seeger
Ring
Bearing
Bearing
Seeger
Support
Sprig
Bronze bearing
Spring
Rudder
Spring press
Bracket

Français

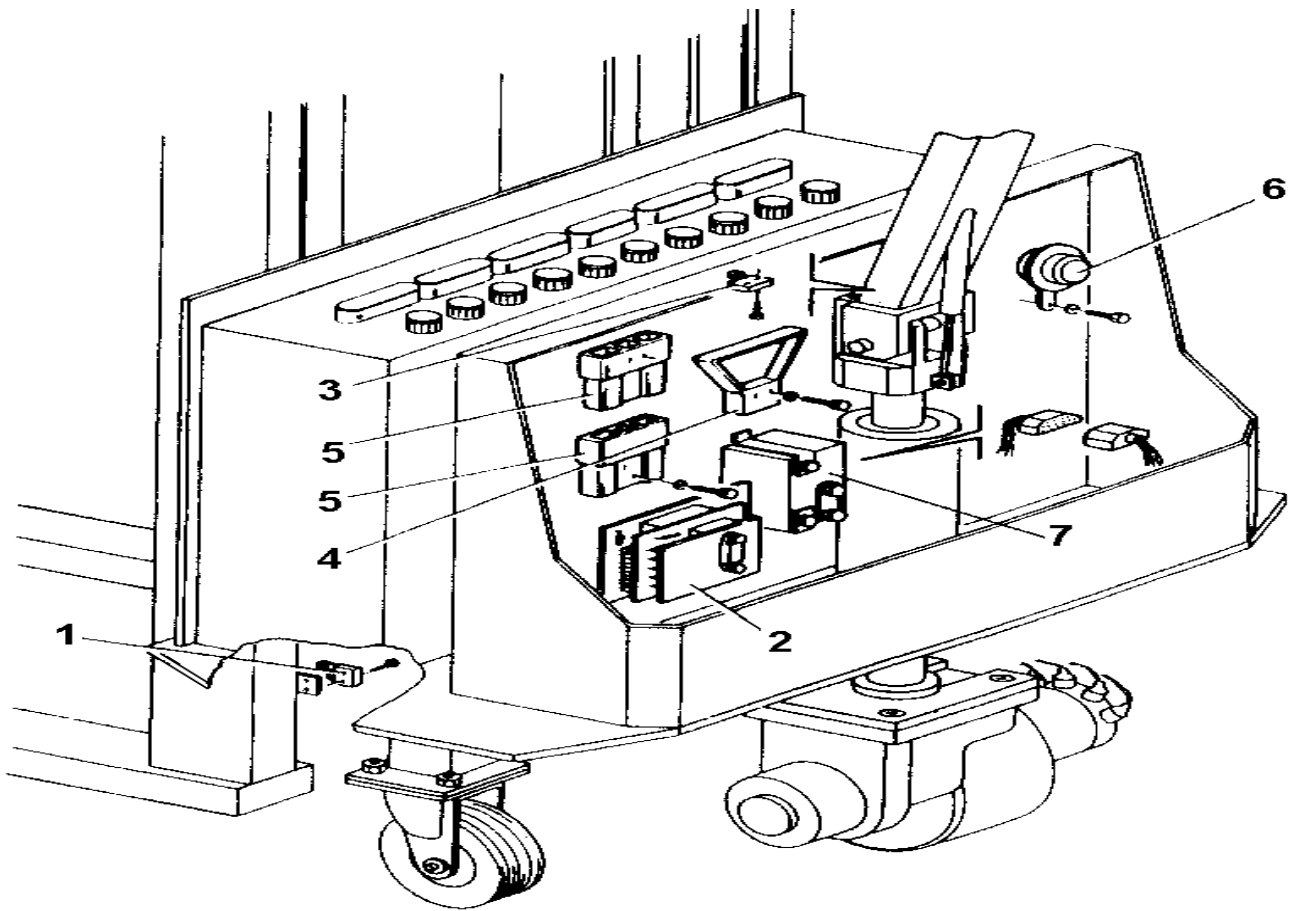
Motoreducteur
Support
Roulement
Fourreau
Seeger
Rondelle
Roulement
Roulement
Seeger
Support
Pivot
Coussinet en bronze
Ressort
Timon
Presse ressort
Bride

Deutsch

Getriebemotor
Halterung
Lager
Hülse
Seeger-Ring
Beilagscheibe
Lager
Lager
Seeger-Ring
Halterung
Bolzen
Bronzelager
Feder
Deichsel
Druckfeder
Blechbügel

Español

Motoreductor
Soporte
Cojinete
Tuerca
Seeger
Arandela
Cojinete
Cojinete
Seeger
Soporte
Pernio
Buje de bronce
Muelle
Timón
Prensa-muelle
Abrazadera

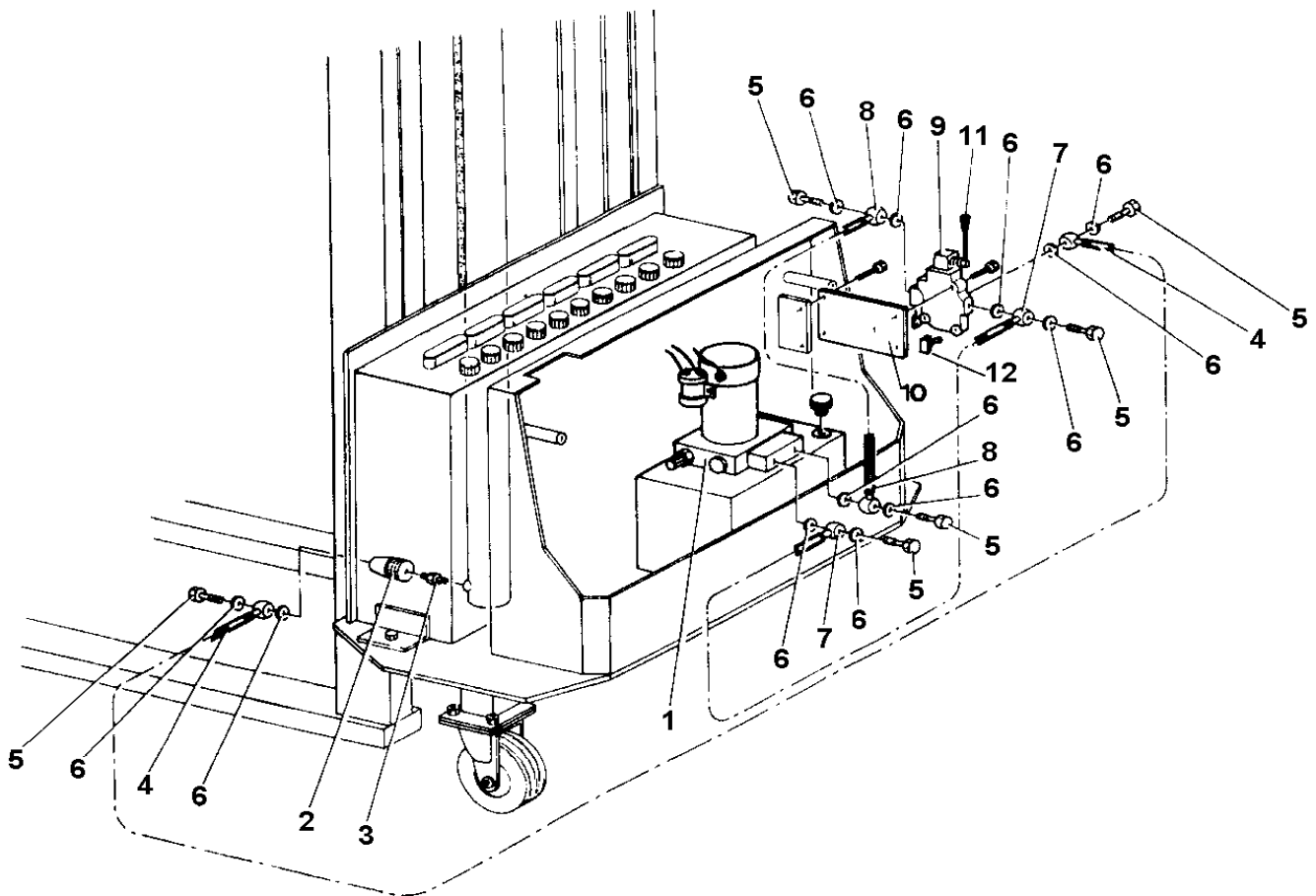


Ref. Cod.

Ref. Cod.	English	Français	Deutsch	Español
0 G077544	FUSIBILE VETRO 6.3A(900032REGHEL)	Fusible	Schmelzsicherung	Fusible
0 S0309090220	CABLAGGIO ELETTRICO L (CURTIS)	Cable électrique	Elektrische Verkabel	Cable elettrico
0 G077540	FUSIBILE 160A (RFM REGHEL)	Fusible	Schmelzsicherung	Fusible
0 S0319012001	CABLAGGIO TIMONE L/G (CURTIS)	Cable électrique	Elektrische Verkabel	Cable elettrico
1 G075006	MICROINTERRUTTORE MS15 PIZZATO	Microswitch	Mikroschalter	Microswitch
2 G076015	SCHEMA 1207CURTIS TARATA x ELEVATORI L	Fiche électronique	Elektronik-Platine	Ficha eléctrica
3 G075004	MICROINTERRUTTORE (XG2-S20) xTIMONE L10	Microswitch	Mikroschalter	Microswitch
4 G071203	MANIGLIA AB 995 G3 (ANDERSON)	Adapter	Verbinder	Conector
5 G071099	CONNETTORE 160A SBE6379G2 ANDERSON	Adapter	Verbinder	Conector
6 G075110	CLACSON 24V DC MOD.K70 + STAFFA "H"	Electrical Compone	Elektrischer Bestand	Componente Eléctri
7 S0115010140	CABLAGGIO TELERUTTORI L-K20 CURTIS	Electric wiring	Cable électrique	Cable elettrico

Impianto idraulico

Detail: 5



Ref. Cod.

1	G081017	* CENTR.223193005 UP100 (NEW x "L")
2	G085007	* VALVOLA REGOLATORE FT1253/5/01 3/8"
3	G084103	NYPLE M/M 3/8"
4	G083012	TUBO R1T 3/8" OCCHIO3/8"-3/8"L=1250
5	G084001	VITE FORO 3/8" ESAG. 22
6	G096103	RONDELLA ALLUMINIO 3/8" SPESSORE 2mm
7	G083011	TUBO R1T 3/8" OCCHIO 3/8"-3/8"L=320
8	G083013	TUBO R1T 3/8" OCCHIO 3/8"-3/8"L=500
9	G085002	DISTRIBUTORE HDM140K02 150M.1/274D6
10	S0301012042	PIASTRA DISTRIBUTORE L10
11	G085004	ASTA LEVA AL001 HDM10 M08X125
12	G075004	MICROINTERRUTTORE (XG2-S20) xTIMONE L10

English

Trigger box
Valve
Nipple
Tube
Screw
Ring
Tube
Tube
Distributor
Plate
Rod
Microswitch

Français

Groupe hydraulique
Soupape
Raccord
Tuyau
Vis
Rondelle
Tuyau
Tuyau
Distributeur
Plaque
Barre
Microswitch

Deutsch

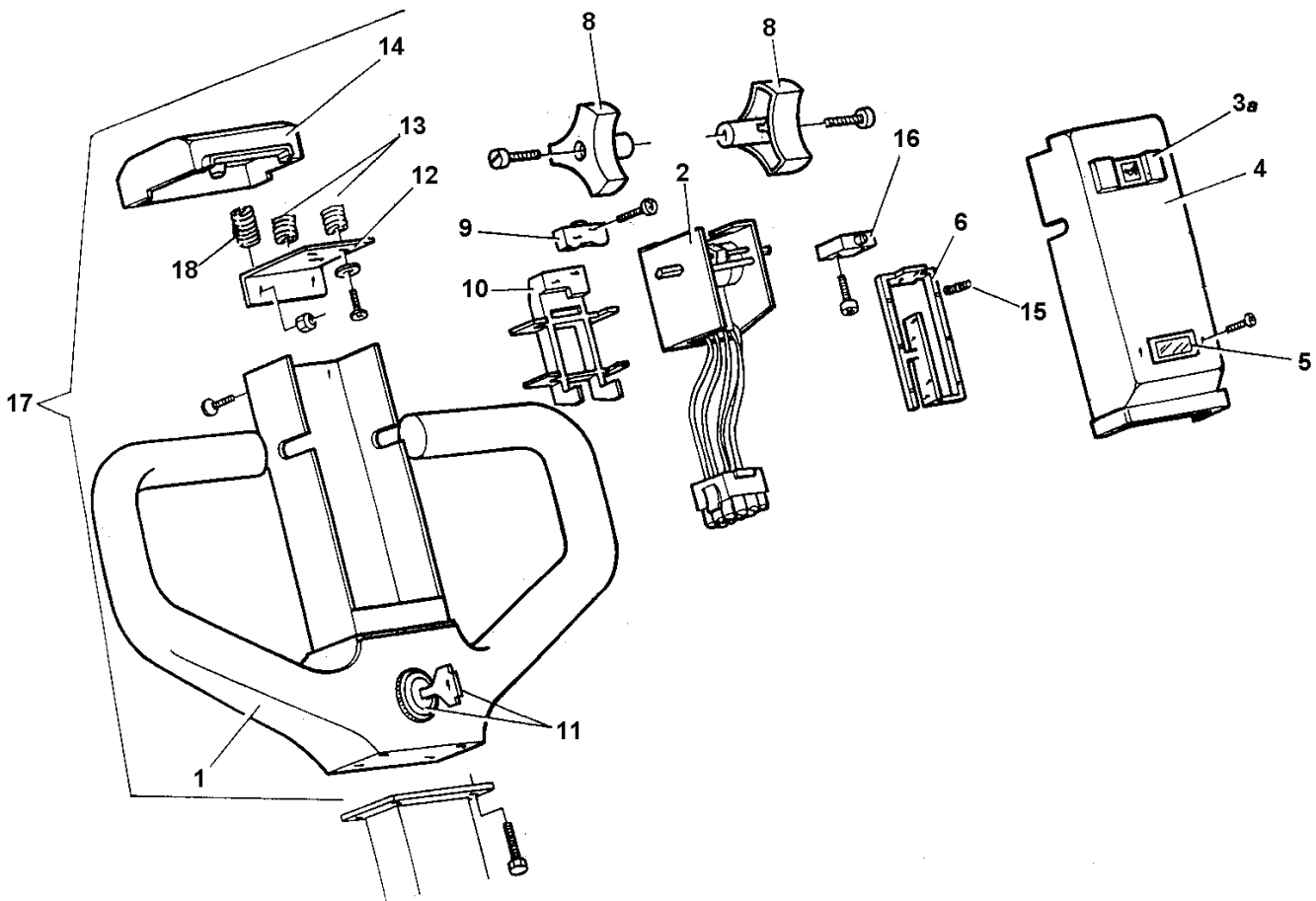
Steuerung
Ventil
Nippel
Rohr
Schraube
Beilagscheibe
Rohr
Rohr
Verteiler
Platte
Stange
Mikroschalter

Español

Caja eléctrica
Valvula
Racor
Tubo
Tornillo
Arandela
Tubo
Tubo
Distribudor
Plancha
Asta
Microswitch

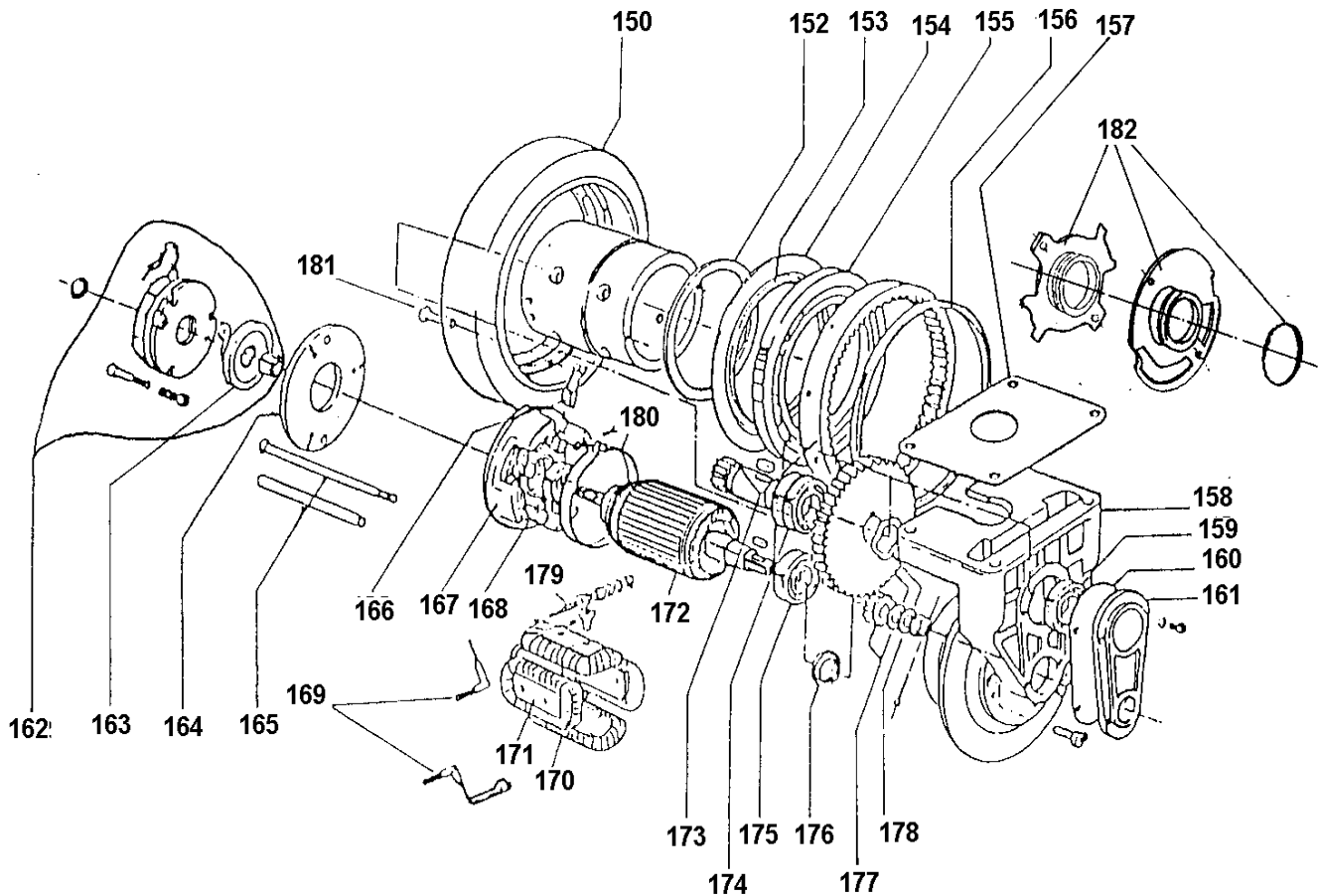
Scatola comandi

Detail: 7



Ref. Cod.

Ref. Cod.	English	Français	Deutsch	Español	
1 S0304010208	TIMONIERA RICOPERTA (POLY) LK	Rudder	Timon	Deichsel	Timón
2 G077004	ACCELERATORE ET 103 CABLATO L-G10	Throttle	Accélérateur	Drehzahlregler	Acelerador
3 S0304018020	PULSANTE TIMONE LK	Push button	Poussoir	Taster	Botón
4 S0304018019	COPERCHIO TIMONE LK x ELEVATORI	Cover	Chape	Deckel	Tapa
5 G079005	INDICATORE STATO BATTERIA CURTIS	Indicator	Indicateur	Anzeige	Indicator
6 S0304018022	SUPPORTO MICRO TIMONE LK	Support	Support	Halterung	Soporte
8 S0304018018	FARFALLA TIMONE LK	Port throttle	Papillon	Drosselklappe	Estilo de mariposa
9 G075016	MICROINTERRUTTORE CROUZET 5A 250V	Microswitch	Microswitch	Mikroschalter	Microswitch
10 S0304018021	SUPPORTO POTENZIOMETRO TIMONE LK	Support	Support	Halterung	Soporte
11 G078058	BLOCCHETTO CHIAVE RCH (RCH REGHEL)	Key	Clé	Schlüssel	Llave
12 S0304017011	PIASTRINA SUPP.EMERGENZA TIMONE LK	Plate	Plaque	Platte	Plancha
13 G001132	MOLLA De11 FILO1 SPIRE4 L10 MOL/ZN	Spring	Ressort	Feder	Muelle
14 S0304018017	EMERGENZA TIMONE LK	Emergency	Emergence	Notfall	Emergencia
15 G001131	MOLLA De5,6 F0,5 SPIRE10 L20 ZINC.	Spring	Ressort	Feder	Muelle
16 G075017	MICROINTERRUTTORE XG52-J21	Microswitch	Microswitch	Mikroschalter	Microswitch
17 S0304010207	TIMONIERA COMPLETA LK/ELEVATORI	Rudder	Timon	Deichsel	Timón
18 G001134	MOLLA De12,3 F1 SPIRE9 L=24 ZINCATA	Spring	Ressort	Feder	Muelle



Ref. Cod.

Ref. Cod.	English	Français	Deutsch	Español	
0 G073116	MOTORE MOTOR. 24V 1200W (CIMA30199)	Electric motor	Moteur électrique	Elektromotor	Motor eléctrico
150 G073040	ANELLO MOTORUOTA GOMMA (TP/E-L16)	Driving wheel ring	Bandage roue motri	Ring für Antriebsrad	Anillo motorueda
150,1 G073057	ANELLO MOTORUOTA VULKOLAN(TP/E-L16)	Driving wheel ring	Bandage roue motri	Ring für Antriebsrad	Anillo motorueda
150,2 G073239	ANELLO MOTORUOTA GOMMA ECOLOGICA TPE-L16	Driving wheel ring	Bandage roue motri	Ring für Antriebsrad	Anillo motorueda
152 G073006	ANELLO (14201 CIMA)	Driving wheel ring	Bandage roue motri	Ring für Antriebsrad	Anillo motorueda
153 G073007	GUARNIZIONE MOTORUOTA (13803 CIMA)	Gasket	Joint	Dichtung	Guarnición
154 G073008	ANELLO PROTEZIONE (14301 CIMA)	Driving wheel ring	Bandage roue motri	Ring für Antriebsrad	Anillo motorueda
155 G073009	CUSCINETTO (91111 CIMA)	Bearing	Roulement	Lager	Cojinete
156 G073010	GUARNIZIONE MOTORUOTA (13801 CIMA)	Gasket	Joint	Dichtung	Guarnición
157 G073011	GUARNIZIONE MOTORUOTA (13902 CIMA)	Gasket	Joint	Dichtung	Guarnición
158 G073065	FUSIONE MOTORUOTA (13020 CIMA)	Fusion	Fusion	Gußteil	Fusión
159 G073012	CUSCINETTO (91109 CIMA) 16006	Bearing	Roulement	Lager	Cojinete
160 G073013	GUARNIZIONE (13901 CIMA)	Gasket	Joint	Dichtung	Guarnición
161 G073014	COPERCHIO (14101 CIMA)	Cover	Chape	Deckel	Tapa
162 G073091	ELETTROFRENO MOTOR. 24V (11124CIMA)	Brake	Frein	Bremse	Freno
163 G073308	FERODO+MOZZO (12940 CIMA)	Hub	Moyeu	Nabe	Cubo
164 G073089	PIASTRA PORTA FRENO (13709 CIMA)	Plate	Plaque	Platte	Plancha
165 G073067	TIRANTE+TUBETTO (34105+34107+34115CIMA)	Tension rod	Tirant	Zugstange	Tirante
166 G073068	KIT SPAZZOLE MOTOR. 24V (CIMA33616)	Kit	Kit	Kit	Kit
167 G073019	SUPPORTO COLLETTORE (31886 CIMA)	Support	Support	Halterung	Soporte
168 G073020	CUSCINETTO (91103 CIMA) 6201 2Z	Bearing	Roulement	Lager	Cojinete
169 G073052	MORSETTI+SPAZZOLE(32916+32918 CIMA)	Clamp	Borne	Klemme	Borne
170 G073090	ESPANSIONI POLARI (31711 CIMA)	Expansion	Expansion	Ausdehnung	Expansión
171 G073070	CAMPO x MOTORUOTA 24V (31515 CIMA)	Inductor	Inducteur	Induktor	Inductor
172 G073072	INDOTTO (31337 CIMA)	Rotor	Roteur	Rotor	Rotor
173 G073071	PIGNONE RINVIO+CORONA (12923 CIMA)	Pinion	Pignon	Ritzel	Piñon
174 G073026	CUSCINETTO (91109 CIMA) 16006	Bearing	Roulement	Lager	Cojinete

STACKER "L " (1600KG)

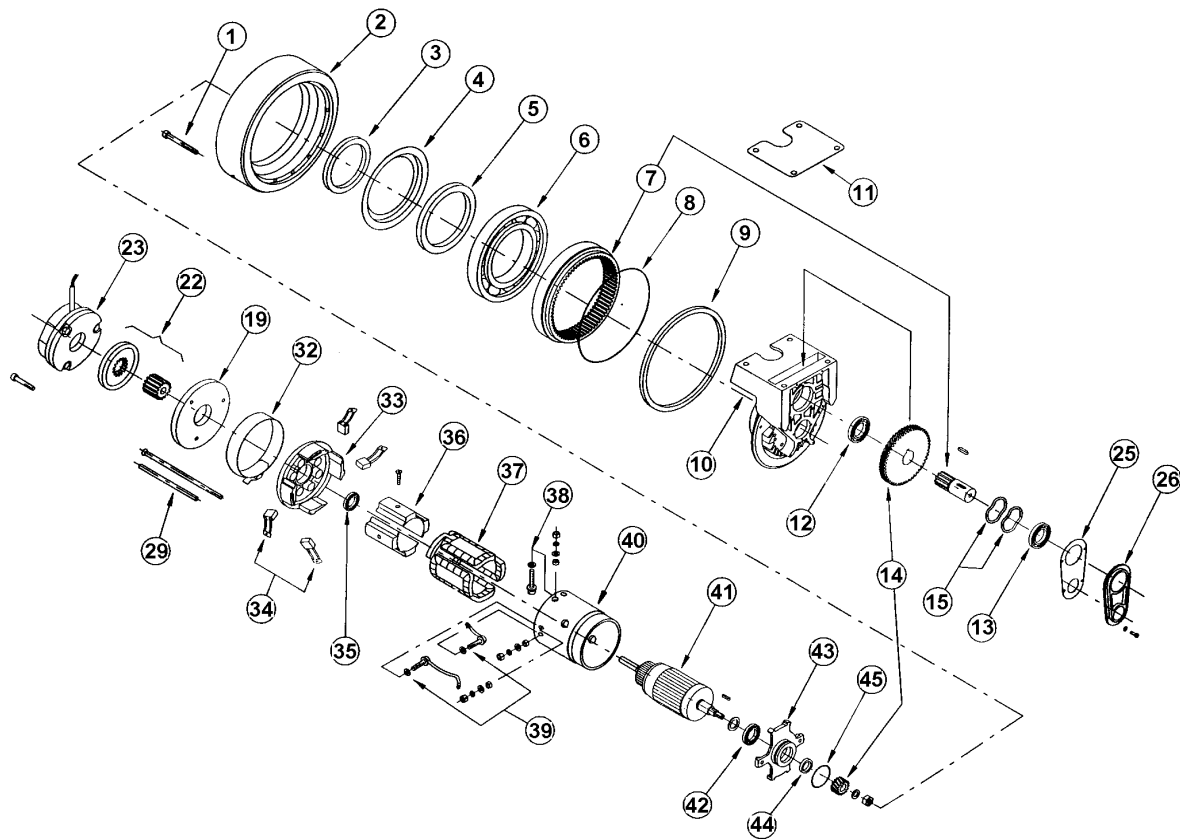
ELEKTRO STAPLER "L " (1600KG)

GERBEUR "L " (1600KG)

CARRETILLA ELEVADORA "L " (1600KG)

Riduttore (FINO AL 01/07/97)**Detail: 8**

175	G073027	CUSCINETTO (91119 CIMA) 6004 2Z	Bearing	Roulement	Lager	Cojinete
176	G073094	ANELLO TENUTA (90106 CIMA)	Driving wheel ring	Bandage roue motri	Ring für Antriebsrad	Anillo motorueda
177	G073029	PIGNONE+RUOTA COND. (12903 CIMA)	Pinion	Pignon	Ritzel	Piñon
178	G073030	ANELLO COMPENSAZIONE (92702 CIMA)	Driving wheel ring	Bandage roue motri	Ring für Antriebsrad	Anillo motorueda
179	G073031	COPPIA MORSETTI (32901 CIMA)	Clamp	Borne	Klemme	Borne
180	G073032	FASCETTA ALETTATA (33701 CIMA)	Hose clip	Bande	Befestigungsschelle	Tira
181	G073033	VITE FISSAGGIO RUOTA (93615 CIMA)	Screw	Vis	Schraube	Tornillo
182	G073073	SUPPORTO LATO COMANDO (33454 CIMA)	Support	Support	Halterung	Soporte



Ref. Cod.

Ref. Cod.	English	Français	Deutsch	Español	
1 G073242	VITE FISSAGGIO RUOTA (93642 CIMA)	Screw	Vis	Schraube	Tornillo
2 G073301	ANELLO MOT. GOMMA (12951 CIMA) L16 NEW	Driving wheel ring	Bandage roue motri	Ring für Antriebsrad	Anillo motorueda
2,1 G073311	ANELLO MOT. VULK. (12952 CIMA) L16 NEW	Driving wheel ring	Bandage roue motri	Ring für Antriebsrad	Anillo motorueda
2,2 G073329	ANELLO MOTOR.GOMMA ECOLOGICA L16 NEW	Ring	Bague	Ring	Anillo
3 G073006	ANELLO (14201 CIMA)	Driving wheel ring	Bandage roue motri	Ring für Antriebsrad	Anillo motorueda
4 G073302	ANELLO PROTEZIONE (14304 CIMA)	Driving wheel ring	Bandage roue motri	Ring für Antriebsrad	Anillo motorueda
5 G073303	GUARNIZIONE MOTORUOTA (90108 CIMA)	Gasket	Joint	Dichtung	Guarnición
6 G073009	CUSCINETTO (91111 CIMA)	Bearing	Roulement	Lager	Cojinete
7 G073304	PIGNONE RINVIO+CORONA (12946 CIMA)	Pinion	Pignon	Ritzel	Piñon
8 G073305	OR PER CORONA (91534 CIMA)	O-ring	O-ring	O-Ring	Anillo o-ring
9 G073306	GUARNIZIONE MOTORUOTA (90115 CIMA)	Gasket	Joint	Dichtung	Guarnición
10 G073307	FUSIONE MOTORUOTA (13054 CIMA)	Fusion	Fusion	Gußteil	Fusión
11 G073011	GUARNIZIONE MOTORUOTA (13902 CIMA)	Gasket	Joint	Dichtung	Guarnición
12 G073247	CUSCINETTO (91110 CIMA)	Bearing	Roulement	Lager	Cojinete
13 G073026	CUSCINETTO (91109 CIMA) 16006	Bearing	Roulement	Lager	Cojinete
14 G073029	PIGNONE+RUOTA COND. (12903 CIMA)	Pinion	Pignon	Ritzel	Piñon
15 G073030	ANELLO COMPENSAZIONE (92702 CIMA)	Driving wheel ring	Bandage roue motri	Ring für Antriebsrad	Anillo motorueda
19 G073089	PIASTRA PORTA FRENO (13709 CIMA)	Plate	Plaque	Platte	Plancha
22 G073308	FERODO+MOZZO (12940 CIMA)	Hub	Moyeu	Nabe	Cubo
23 G073091	ELETTROFRENO MOTOR. 24V (11124CIMA)	Brake	Frein	Bremse	Freno
25 G073013	GUARNIZIONE (13901 CIMA)	Gasket	Joint	Dichtung	Guarnición
26 G073014	COPERCHIO (14101 CIMA)	Cover	Chape	Deckel	Tapa
29 G073067	TIRANTE+TUBETTO (34105+34107+34115CIMA)	Tension rod	Tirant	Zugstange	Tirante
32 G073032	FASCETTA ALETTATA (33701 CIMA)	Hose clip	Bande	Befestigungsschelle	Tira
33 G073019	SUPPORTO COLLETTORE (31886 CIMA)	Support	Support	Halterung	Soporte
34 G073068	KIT SPAZZOLE MOTOR. 24V (CIMA33616)	Kit	Kit	Kit	Kit
35 G073249	CUSCINETTO COLLETTORE (91120 CIMA)	Bearing	Roulement	Lager	Cojinete

STACKER "L " (1600KG)

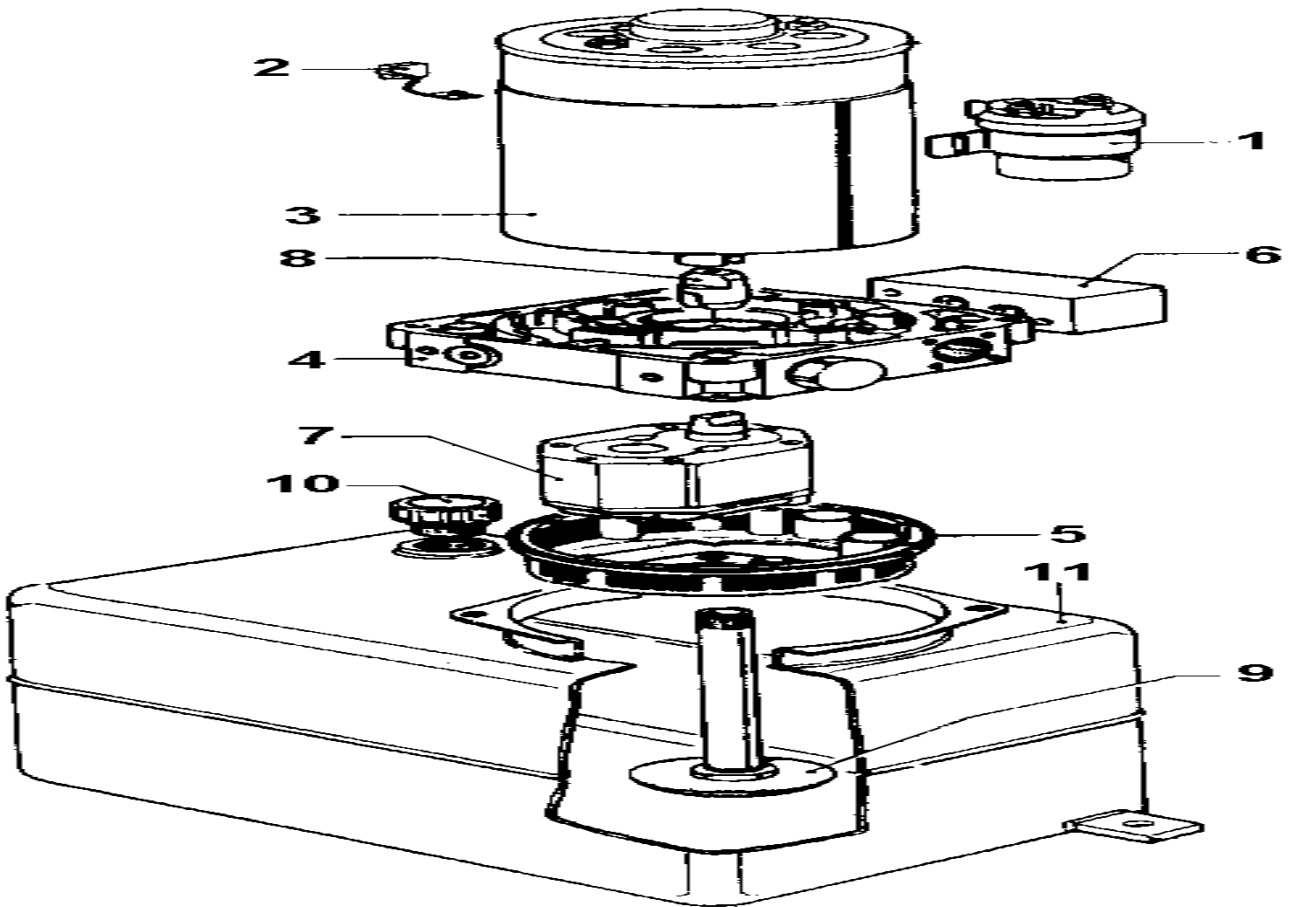
ELEKTRO STAPLER "L " (1600KG)

GERBEUR "L " (1600KG)

CARRETILLA ELEVADORA "L " (1600KG)

Riduttore (DAL 01/06/97)**Detail: 8.1**

36	G073090	ESPANSIONI POLARI (31711 CIMA)	Expansion	Expansion	Ausdehnung	Expansión
37	G073070	CAMPO x MOTORUOTA 24V (31515 CIMA)	Inductor	Inducteur	Induktor	Inductór
38	G073031	COPPIA MORSETTI (32901 CIMA)	Clamp	Borne	Klemme	Borne
39	G073052	MORSETTI+SPAZZOLE(32916+32918 CIMA)	Clamp	Borne	Klemme	Borne
40	G073252	CARCASSA MOTORE (33057 CIMA)	Frame	Carcasse	Gehäuse	Carcasa
41	G073309	INDOTTO (31253 CIMA)	Rotor	Roteur	Rotor	Rotor
42	G073027	CUSCINETTO (91119 CIMA) 6004 2Z	Bearing	Roulement	Lager	Cojnete
43	G073207	SUPPORTO LATO COMANDO (33461 CIMA)	Support	Support	Halterung	Soporte
44	G073208	ANELLO DI TENUTA (90101 CIMA)	Driving wheel ring	Bandage roue motri	Ring für Antriebsrad	Anillo motorueda
45	G073256	O-RING SUPP.LATO COMANDO(91528CIMA)	O-ring	O-ring	O-Ring	Anillo o-ring
48	G073310	MOTORE MOTOR. 24V (30280 CIMA) xL16 NEW	Electric motor	Moteur electrique	Elektromotor	Motor eletrico

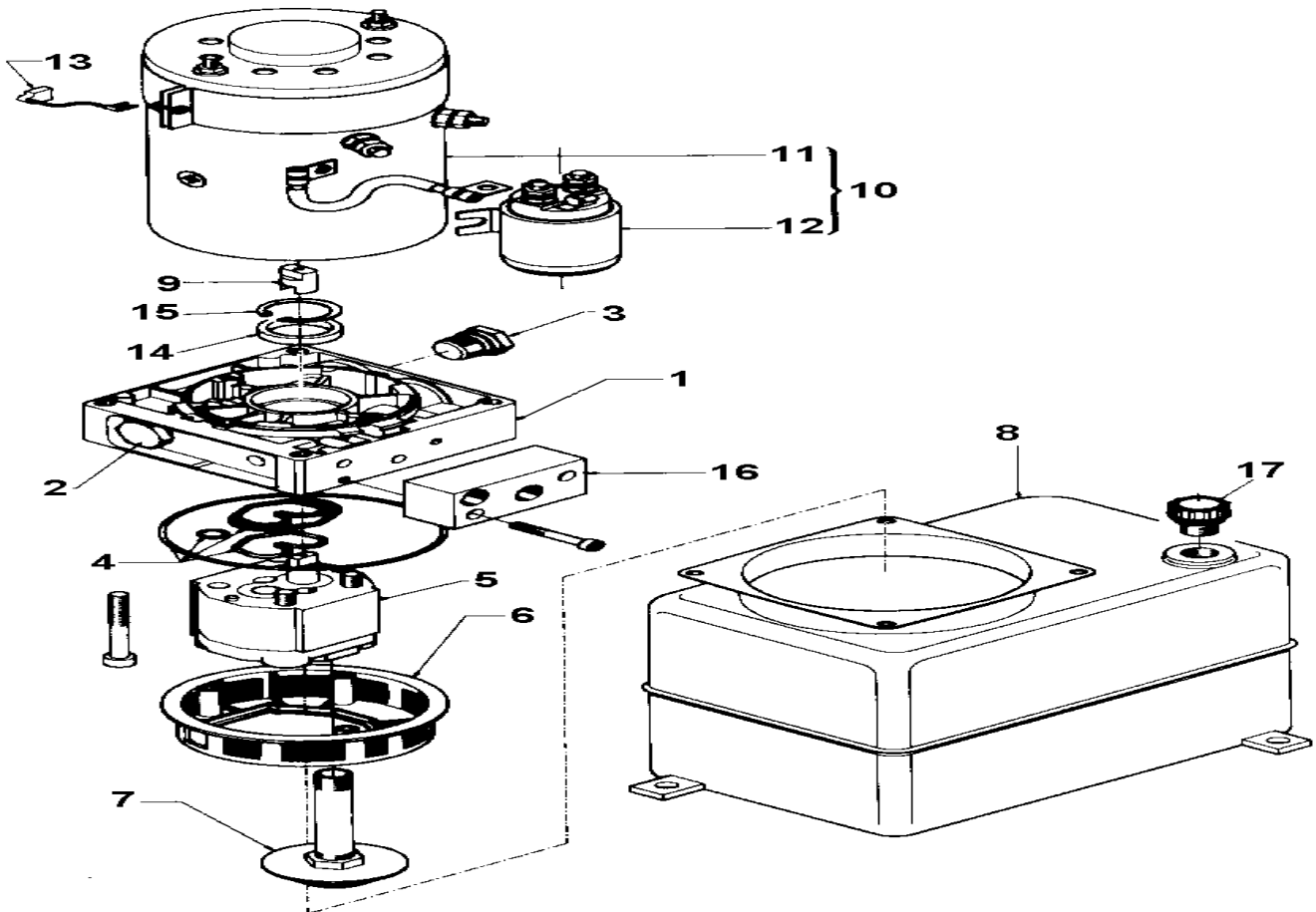


Ref. Cod.

Ref. Cod.	English	Français	Deutsch	Español	
1 G082127	* RELE'COMPL. 24V CC P.C-E-F-G (EF.)	Relay	Relais	Relais	Relay
2 G082147	KIT SPAZZOLE T.E. 12-24V CC 13809	Kit	Kit	Kit	Kit
3 G082182	* MOTORE CC T109E 24V(HIDR.543924205)	Electric motor	Moteur electrique	Elektromotor	Motor elettrico
4 G082089	COPERCHIO UP10 K115 00VC00-AP100	Cover	Chape	Deckel	Tapa
5 G082090	FILTRO CONV.150 MICRON (757500070)	Filter	Filtre	Filter	Filtro
6 G082091	PIASTRA 1013 3/8G (HIDR.765000600)	Plate	Plaque	Platte	Plancha
7 G082092	POMPA AP100/2,5 S.409 (748230030)	Pump	Pompe	Pumpe	Bomba
8 G082093	GIUNTO TRASC. E45 M.C.C. 1500W 12V	Joint	Joint	Verbindung	Junta
9 G082096	GRUPPO ASP. SERB. 7L (759900220)	Suction filter unit	Groupe aspiration	Ansauginheit	Grupo aspiración
10 G082099	TAPPO CARICO SF1/2G(HIDR.527060502)	Plug	Bouchon	Verschlußstopfen	Tapa
11 G082095	SERBATOIO L.7 VR.X S164 (672490290)	Tank	Reservoir	Tank	Deposito

Centralina idraulica (UP100 DAL 08/09/96)

Detail: 9.1



Ref. Cod.

1	G082189	CORPO UP100 K3P0-01(HIDR.640410090)
2	G082190	TAPPO VALVOLA T817/0(HIDR.778800040)
3	G082191	TAPPO 00VC00 (HIDR.778400140)
4	G082165	KIT GUARNIZIONI CORPO UP100
5	G082168	POMPA AP100/2.5 S.409+COP.748230030
6	G082090	FILTRO CONV.150 MICRON (757500070)
7	G082192	GRUPPO ASPIRAZIONE L=138(759900810)
8	G082095	SERBATOIO L.7 VR.X S164 (672490290)
9	G082158	TRASCINAMENTO E145 M.C.C T.E
10	G082164	MOTORE CC T110E 24V 2.5KW 36809 + RELE'
11	G082182	MOTORE CC T109E 24V(HIDR.543924205)
12	G082127	* RELE'COMPL. 24V CC P.C-E-F-G (EF.)
13	G082147	KIT SPAZZOLE T.E. 12-24V CC 13809
14	G082193	PARAOLIO BABSL12x22x6(HIDR511203410)
15	G082179	ANELLO FORI22 UNI7437(HIDR530010221)
16	G082091	PIASTRA 1013 3/8G (HIDR.765000600)
17	G082099	TAPPO CARICO SF1/2G(HIDR.527060502)

English

Français

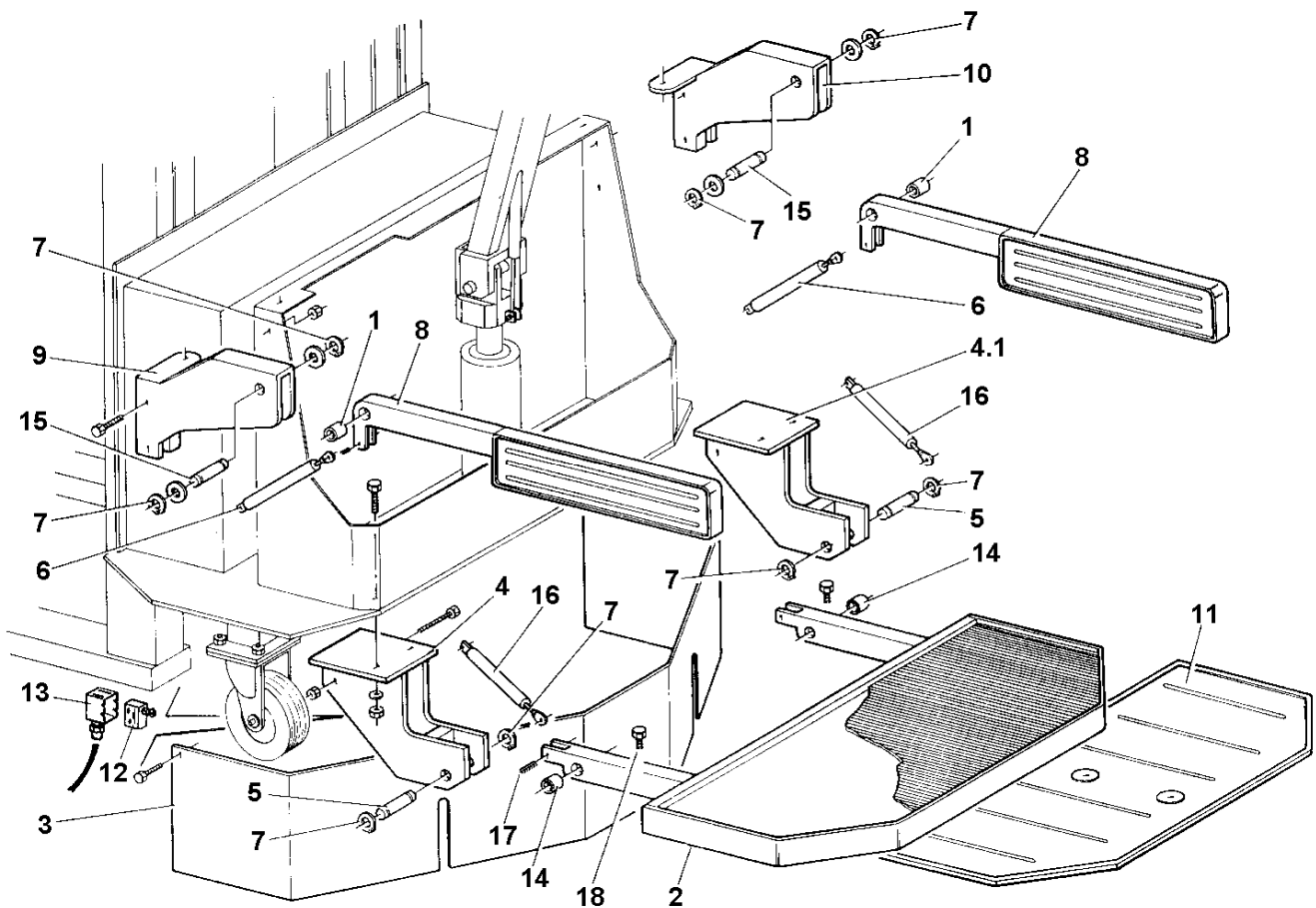
Deutsch

Español

Pump	Pompe	Pumpe	Bomba
Plug	Bouchon	Verschlußstopfen	Tapa
Plug	Bouchon	Verschlußstopfen	Tapa
Kit	Kit	Kit	Kit
Pump	Pompe	Pumpe	Bomba
Filter	Filtre	Filter	Filtro
Suction filter unit	Groupe aspiration	Ansaugeneinheit	Grupo aspiración
Tank	Reservoir	Tank	Deposito
Trigger box	Groupe hydraulique	Steuerung	Caja eletrica
Electric motor	Moteur électrique	Elektromotor	Motor elettrico
Electric motor	Moteur électrique	Elektromotor	Motor elettrico
Relay	Relais	Relais	Relay
Kit	Kit	Kit	Kit
Oil seal	Bague	Ölabstreifer	Contenedor aceite
Driving wheel ring	Bandage roue motri	Ring für Antriebsrad	Anillo motorueda
Plate	Plaque	Platte	Plancha
Plug	Bouchon	Verschlußstopfen	Tapa

Pedana

Detail: 99



Ref. Cod.

Ref. Cod.	English	Français	Deutsch	Español		
1	S0004018002	BRONZINA CORPO POMPA GS (20x22x10)	Bronze bearing	Coussinet en bronze	Bronzelager	Buje de bronce
2	S0300010164	PIATTAFORMA PEDANA "L" VERNIC.	Support	Support	Halterung	Soporte
3	S0300010176	PROTEZIONE RUOTE L10 PEDANA MONTATA	Protection	Protection	Schutz	Protección
4	S0300011028	* SUPP. ANCORAGGIO SX PEDANA L (VERN) NEW	Articulated joint	Joint à rotule	Gelenk	Estracción
4,1	S0300011029	* SUPP. ANCORAGGIO DX PEDANA L (VERN) NEW	Articulated joint	Joint à rotule	Gelenk	Estracción
5	S0300015034	PERNO ANCORAGGIO PEDANA ELEVATORE L	Sprig	Pivot	Bolzen	Pernio
6	G001709	* MOLLA GAS 198.225.30 (PEDANA K20)				
7	G042120	SEEGER ESTERNO 3653 E 20	Seeger	Seeger	Seeger-Ring	Seeger
8	S0300018013	BARRIERA PEDANA ELEVATORE L	Support	Support	Halterung	Soporte
9	S0300011013	SUPPORTO SX BARRIERA PEDANA L VERNICIATO	Support	Support	Halterung	Soporte
10	S0300011014	SUPPORTO DS BARRIERA PEDANA L VERNICIATO	Support	Support	Halterung	Soporte
11	S0300018012	CARTER PEDANA L10-L16	Guard	Carter	Gehäuseteil	Carter
12	G075006	MICROINTERRUTTORE MS15 PIZZATO	Microswitch	Microswitch	Mikroschalter	Microswitch
13	G070301	CALOTTA CON PRESSACAVO CO2	Cover	Calotte	Abdeckung	Protección
14	G016350	BRONZINA AUTOLUB. 20x28x20	Bronze bearing	Coussinet en bronze	Bronzelager	Buje de bronce
15	S0041015002	PERNO CROCIERA HL10M/PED."L"- "K20"	Sprig	Pivot	Bolzen	Pernio
16	G001707	* MOLLA GAS 198.355.50 GF2 x PEDANA L-K20	Spring	Ressort	Feder	Muelle
17	S0300015028	PERNO ATTACCO MOLLA A GAS	Sprig	Pivot	Bolzen	Pernio
18	G024301	PIEDINO IN GOMMA 20x7 M6x15	Support foot	Pied support	Stützfuß	Pie de apoyo

STACKER "L " (1600KG)

ELEKTRO STAPLER "L " (1600KG)

GERBEUR "L " (1600KG)

CARRETILLA ELEVADORA "L " (1600KG)

Pedana

Detail: 99

* Modifiche / Updates / Modifications / Änderungen / Modificaciones :

Rev.: 0

20/12/1999

Det. Ref.	Present Code	Serial N.	Old	New	Interc.	Dat.
1 4	G053322		G053313	G053322	<input checked="" type="checkbox"/>	01/10/1996
1 5	S0300018005		S0300018011	S0300018005	<input type="checkbox"/>	01/10/1994
1 6	S0300010145		S0300010154	S0300010145	<input type="checkbox"/>	01/10/1994
1 13	S0300010168		S0300010169	S0300010168	<input type="checkbox"/>	01/10/1994
1 14	G019301		G019101	G019301	<input type="checkbox"/>	01/10/1997
1 15	G053326		G053316	G053326	<input checked="" type="checkbox"/>	01/10/1996
1 21	S0302020117		S0302020213	S0302020117	<input checked="" type="checkbox"/>	10/02/1996
2 23	S0306015052		S0306015002	S0306015052	<input checked="" type="checkbox"/>	01/01/2000
2 24	S0306012072		S0306012015	S0306012072	<input type="checkbox"/>	07/01/1998
2 25	S0306051019		S0306011002	S0306051019	<input type="checkbox"/>	07/01/1998
2 26	G010403		G010204	G010403	<input checked="" type="checkbox"/>	27/04/1999
2 26	G010403		G010108	G010204	<input type="checkbox"/>	07/01/1998
3 1	G074418		G074410	G074418	<input checked="" type="checkbox"/>	01/06/1997
3 9	G001141		G001108	G001141	<input checked="" type="checkbox"/>	01/01/1997
3 14	G001703		G001701	G001703	<input type="checkbox"/>	01/10/1996
5 1	G081017		G081003	G081017	<input checked="" type="checkbox"/>	07/09/1996
5 2	G085007	003827	G085003	G085007	<input checked="" type="checkbox"/>	01/01/1995
9 1	G082127		G082120	G082127	<input checked="" type="checkbox"/>	01/09/1999
9 3	G082182		G082088	G082182	<input checked="" type="checkbox"/>	01/01/2000
9.1 12	G082127		G082120	G082127	<input checked="" type="checkbox"/>	01/09/1999
99 4	S0300011028		S0300011028	S0300011012	<input type="checkbox"/>	01/12/1997
99 4,1	S0300011029		S0300011024	S0300011029	<input type="checkbox"/>	01/12/1997
99 6	G001709		G001701	G001709	<input checked="" type="checkbox"/>	09/07/1998
99 16	G001707		G001706	G001707	<input type="checkbox"/>	01/06/1997