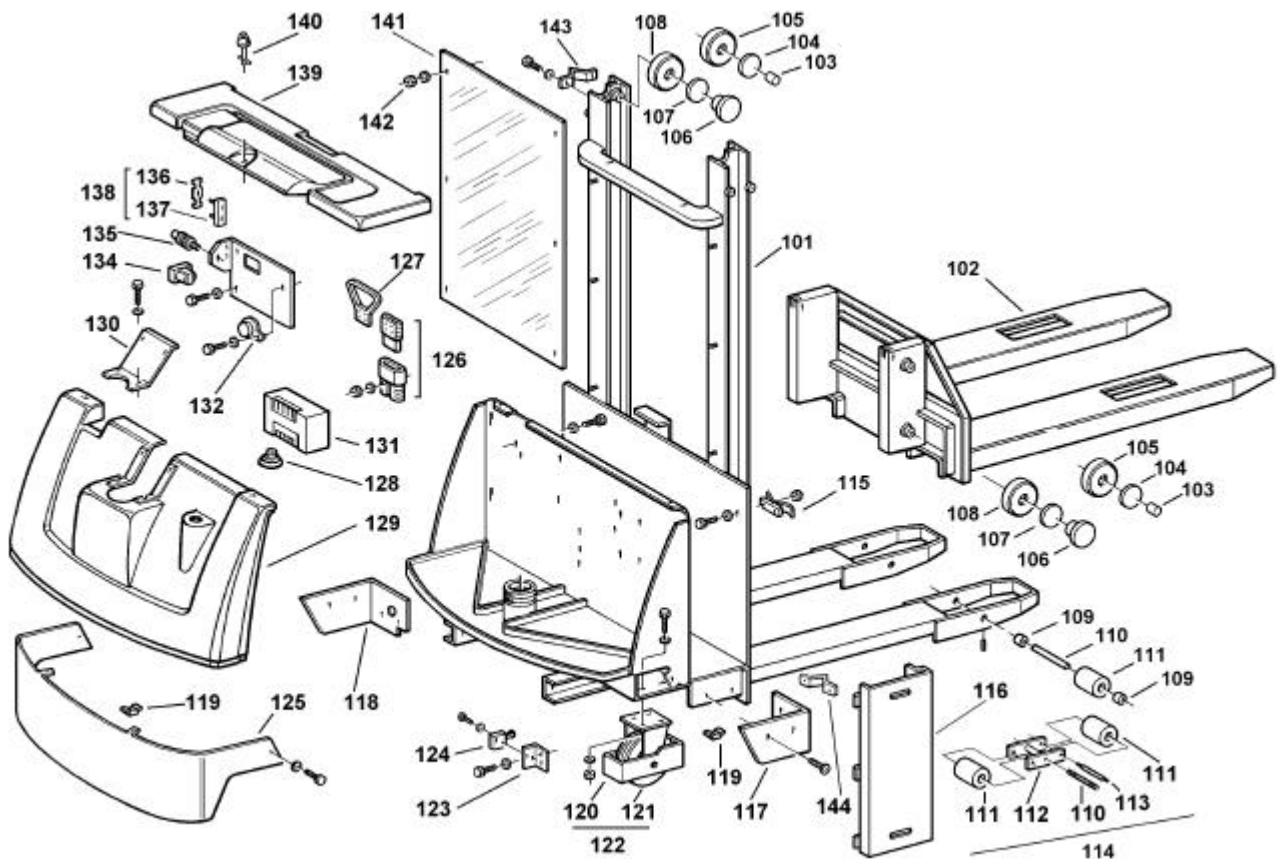


Telaio

Detail: 1



Ref. Cod.	English	Français	Deutsch	Español	
0 S0309170253	CABLAGGIO ELETTRICO LX	Electric wiring	Cable électrique	Elektrische Verkabel	Cable elettrico
101 V0301170314-10	TELAIO LX 12/16 VERN.GIALLO RAL 1003	Chassis	Chassis	Rahmen	Chasis
101,1 V0301170312-10	TELAIO LX 12/25 VERN.GIALLO RAL 1003	Chassis	Chassis	Rahmen	Chasis
101,2 V0301170313-10	TELAIO LX 12/29 VERN.GIALLO RAL 1003	Chassis	Chassis	Rahmen	Chasis
101,3 V0301170311-10	TELAIO LX 12/35 VERN.GIALLO RAL 1003	Chassis	Chassis	Rahmen	Chasis
101,4 V0301180354-10	TELAIO LX 16/16 VERN.GIALLO RAL 1003	Chassis	Chassis	Rahmen	Chasis
101,5 V0301180353-10	TELAIO LX 16/25 VERN.GIALLO RAL 1003	Chassis	Chassis	Rahmen	Chasis
101,6 V0301180351-10	TELAIO LX 16/29 VERN.GIALLO RAL 1003	Chassis	Chassis	Rahmen	Chasis
101,7 V0301180352-10	TELAIO LX 16/35 VERN.GIALLO RAL 1003	Chassis	Chassis	Rahmen	Chasis
102 S0307170317	FORCA LX 12/16 VERNICIATA	Fork	Fourche	Gabel	Horca
102,1 S0307170316	FORCA LX 12/25-29-35 VERNICIATA	Fork	Fourche	Gabel	Horca
102,2 S0307180324	FORCA LX 16/16 VERNICIATA	Fork	Fourche	Gabel	Horca
102,3 S0307180325	FORCA LX 16/25-29-35 VERNICIATA	Fork	Fourche	Gabel	Horca
103 G019304	TAMPONE REGISTRABILE NYLON xG019104	Shim	Épaisseur	Distanzstück	Espesor
104 G019305	DISCO TAMPONE REGISTRABILE xG019104	Spacer	Entretoise	Distanzstück	Distanciador
105 G019301	CUSCINETTO RULLI CILINDR.D77.7 xG019104	Bearing	Roulement	Lager	Coinete
106 G019309	PATTINO DI GUIDA LATERALE (10002.102)	Sliding block	Block de glissement	Gleitschuh	Patín
107 G019310	DISCHETTO DI CONTRASTO (10004.102)	Disc	Disque	Scheibe	Disco
108 G019306	CUSCINETTO A SFERE D70 (CSF.002)	Bearing	Roulement	Lager	Coinete
109 S0302016026	DISTANZIALE RULLO SINGOLO TE-TM ZINC	Spacer	Entretoise	Distanzstück	Distanciador
110 S0302015025	PERNO SCARPETTA TE/TM/L10 (BRUNITO)	Sprig	Pivot	Bolzen	Pernio
111 S0302020117	RULLO POLY.C D82x70+CUSCINETTI	Roll	Roulean	Rolle	Rodillo
112 S0302010004	TANDEM VERNICIATO L16 - L/VT	Roller guide	Porte rouleau	Rollenträger	Portarulo
113 S0302015026	PERNO TANDEM TE/TM/L10 (BRUNITO)	Sprig	Pivot	Bolzen	Pernio
114 S0302010006	TANDEM COMPLETO RULLI VULK L16 - L/VT	Roller guide	Porte rouleau	Rollenträger	Portarulo
115 G040010	CERNIERA A LEVA ZINCATA BIANCA	Hinge	Charnie	Scharnier	Cremallera
116 V09349-1003	FIANCATA VANO BATTERIA LX 12-16 VERN.	Guard	Carter	Gehäuseteil	Carter
117 S0300177021	PARAURTI DX LX 12-16 VERNICIATO	Guard	Carter	Gehäuseteil	Carter

STACKER "LX " (1200-1600 KG)

ELEKTRO STAPLER "LX" (1200-1600 KG)

GERBEUR "LX" (1200-1600 KG)

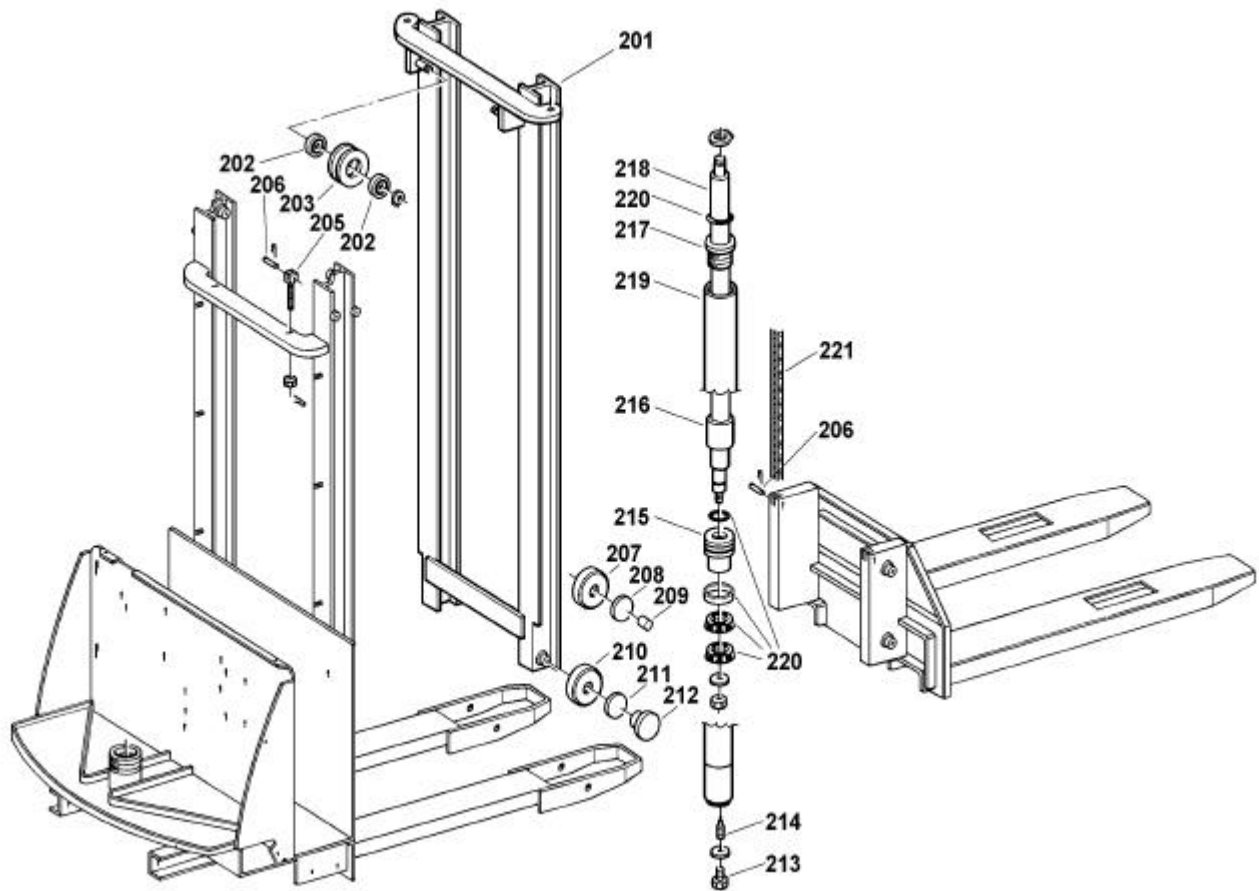
CARRETILLA ELEVADORA "LX" (1200-1600 KG)

Telaio**Detail: 1**

118	S0300177020	PARAURTI SX LX 12-16 VERNICIATO	Protection	Protection	Schutz	Protección
119	G034903	DADO INGABBIATO M8 ZN (URAMA Q08-30)	Nut	Dés	Mutter	Tuerca
120	G018001	SUPPORTO RUOTA COMP.LX (S364375+S364378)	Support	Support	Halterung	Soporte
121	G053345	RUOTA POLY.C./GHISA Z125x50/50(S501183)	Drive wheel	Roue	Rad	Rueda
122	G053335	RUOTA POLY.C./GHISA Z125x50/50 C/C BOMB	Drive wheel	Roue	Rad	Rueda
123	G09353	SUPPORTO MICRO SECONDA VELOCITA'LX12-16	Base	Base	Gestell	Base
124	G075006	MICROINTERRUTTORE MS15 PIZZATO	Microswitch	Microswitch	Mikroschalter	Microswitch
125	S0300179013	PROTEZIONE MOTORUOTA LX12-16 VERNICIATO	Guard	Carter	Gehäuseteil	Carter
126	G071099	CONNETTORE 160A SBE6379G2 ANDERSON	Adapter	Connecteur	Verbinder	Conector
127	G071203	MANIGLIA AB 995 G3 (ANDERSON)	Adapter	Connecteur	Verbinder	Conector
128	G052002	SOFFIETTO IN GOMMA ELEV.(0-RAB/010)	Bellow	Soufflet	Faltenbalg	Fuelle
129	S0300178046	CARTER COFANO LX	Guard	Carter	Gehäuseteil	Carter
130	V09348-1003	CHIUSURA CARTER COFANO LX12-16 VERN.	Guard	Carter	Gehäuseteil	Carter
131	G076028	SCHEDA TARATA LX	Eletronic card	Fiche electronique	Elektronik-Platine	Ficha eletrica
132	G075110	CLACSON 24V DC MOD.K70 + STAFFA "H"	Fuse	Fusible	Schmelzsicherung	Fusible
134	G079019	CONTATTORE ALBRIGHT W80-65 24vCO	Relay	Relais	Relais	Relay
135	G070625	PORTAFUSIBILE A VITE +FUSIBILE 6,3A	Fuse holder	Porte-fusible	Sicherungshalter	Portafusible
136	G077540	FUSIBILE 160A (RFM REGHEL)	Fuse	Fusible	Schmelzsicherung	Fusible
137	G070603	PORTAFUSIBILE x FUSIBILE 160Amp	Fuse	Fusible	Schmelzsicherung	Fusible
138	G070626	PORTAFUSIBILE+FUSIBILE 160Amp	Pump	Pompe	Pumpe	Bomba
139	S0300178047	CARTER BATTERIA LX	Guard	Carter	Gehäuseteil	Carter
140	G040401	CHIUSURA 1/4 COMPLETA	Shutting	Fermeture	Verschluß	Cerradura
141	S0300178048	VETRO PROTEZIONE H=1600 LX	Glass	Verre	Glas	Vidrio
141,1	S0300178049	VETRO PROTEZIONE H=2500 LX	Glass	Verre	Glas	Vidrio
141,2	S0300178050	VETRO PROTEZIONE H=2900 LX	Glass	Verre	Glas	Vidrio
141,3	S0300178051	VETRO PROTEZIONE H=3500 LX	Glass	Verre	Glas	Vidrio
142	G035001	DADO CIECO NYLON NERO M8	Nut	Dés	Mutter	Tuerca
143	S0300177018	CAVALLOTTO CILINDRO LX 12 VERNICIATO	Protection	Protection	Schutz	Protección
143,1	S0300187022	CAVALLOTTO CILINDRO LX16 VERNICIATO	Protection	Protection	Schutz	Protección
144	S0300177025	PROTEZIONE VITE CILINDRO LX 12 VERN.	Protection	Protection	Schutz	Protección
144,1	S0300187336	PROTEZIONE VITE CILINDRO LX16 VERN.	Protection	Protection	Schutz	Protección

Cilindro Alzata

Detail: 2



Ref.	Cod.		English	Français	Deutsch	Español
201	S0305170317	SECONDO STADIO LX12/25 VERNICIATO	Second pillar	Mat interieur	Zweite Stufe	Segundo estadio
201,1	S0305170318	SECONDO STADIO LX 12/29 VERNICIATO	Second pillar	Mat interieur	Zweite Stufe	Segundo estadio
201,2	S0305170319	SECONDO STADIO LX 12/35 VERNICIATO	Second pillar	Mat interieur	Zweite Stufe	Segundo estadio
201,3	S0305180326	SECONDO STADIO LX 16/25 VERNICIATO	Second pillar	Mat interieur	Zweite Stufe	Segundo estadio
201,4	S0305180327	SECONDO STADIO LX16/29 VERNICIATO	Support	Support	Halterung	Soporte
201,5	S0305180328	SECONDO STADIO LX 16/35 VERNICIATO	Second pillar	Mat interieur	Zweite Stufe	Segundo estadio
202	G010403	CUSCINETTO 6005 2RS (25-47-12)	Bearing	Roulement	Lager	Cojinete
203	S0300176057	PULEGGIA LAVORATA LX12-16/29-35 BRUNITA	Pulley	Poulie	Scheibe	Polea
205	S0307015017	PETTINE LUNGO TE-TM-L-L/VT ZINCATO	Jumper connection	Liaison	Verbindung	Puente
206	G062104	PERNO CATENA FLAYER BL544 D6x29	Sprig	Pivot	Bolzen	Pernio
207	G019301	CUSCINETTO RULLI CILINDR.D77.7 xG019104	Bearing	Roulement	Lager	Cojinete
208	G019305	DISCO TAMPONE REGISTRABILE xG019104	Spacer	Entretoise	Distanzstück	Distanciador
209	G019304	TAMPONE REGISTRABILE NYLON xG019104	Shim	Épaisseur	Distanzstück	Espesor
210	G019306	CUSCINETTO A SFERE D70 (CSF.002)	Bearing	Roulement	Lager	Cojinete
211	G019310	DISCHETTO DI CONTRASTO (10004.102)	Disc	Disque	Scheibe	Disco
212	G019309	PATTINO DI GUIDA LATERALE (10002.102)	Sliding block	Block de glissement	Gleitschuh	Patin
213	G087007	TAPPO MASCHIO ES. GAS TME 3/8	Plug	Bouchon	Verschlußstopfen	Tapa
214	G085005	VALVOLA VPN38H.F0.8 (L/VT)	Valve	Soupape	Ventil	Valvula
215	S0306171032	PISTONE CILINDRO LX 12/16	Piston	Piston	Kolben	Pistón
215,1	S0306181040	PISTONE CILINDRO LX 16/25-29-35	Piston	Piston	Kolben	Pistón
216	S0306176061	DISTANZIALE CILINDRO L.241 LX12/25-29-35	Spacer	Entretoise	Distanzstück	Distanciador
216,1	S0306186065	DISTANZIALE CILINDRO L.234LX16/25-29-35	Spacer	Entretoise	Distanzstück	Distanciador
217	S0306171031	GHIERA CILINDRO LX 12	Plug	Collier de serrage	Nutmutter	Anilla
217,1	S0306181039	GHIERA CILINDRO LX 16/25-29-35	Plug	Collier de serrage	Nutmutter	Anilla
218	S0306173058	STELO CILINDRO ELEVAT. LX 12/25	Stem	Tige	Stange	Vástago
218,1	S0306173056	STELO CILINDRO ELEVAT. LX 12/29	Stem	Tige	Stange	Vástago
218,2	S0306173057	STELO CILINDRO ELEVAT. LX 12/35	Stem	Tige	Stange	Vástago
218,3	S0306185059	STELO CILINDRO ELEVAT. LX 16/25	Stem	Tige	Stange	Vástago

STACKER "LX " (1200-1600 KG)

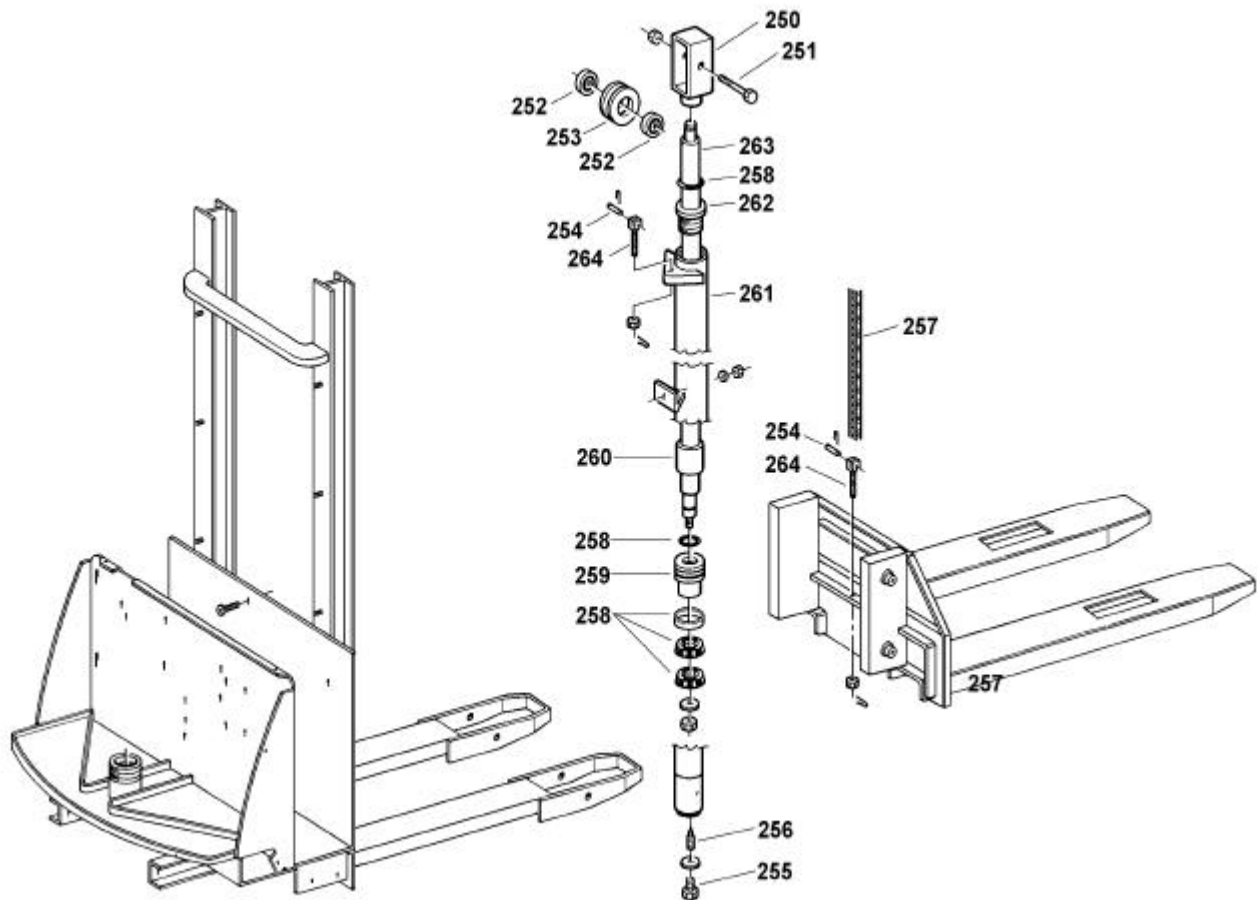
ELEKTRO STAPLER "LX" (1200-1600 KG)

GERBEUR "LX" (1200-1600 KG)

CARRETILLA ELEVADORA "LX" (1200-1600 KG)

Cilindro Alzata**Detail: 2**

218,4	S0306185060	STELO CILINDRO ELEVAT. LX 16/29	Stem	Tige	Stange	Vàstago
218,5	S0306185061	STELO CILINDRO ELEVAT. LX 16/35	Stem	Tige	Stange	Vàstago
219	S0306170250	CILINDRO COMPLETO LX 12/25 VERNIC.	Cylinder	Cylindre	Zylinder	Cilindro
219,1	S0306170251	CILINDRO COMPLETO LX 12/29 VERNIC.	Cylinder	Cylindre	Zylinder	Cilindro
219,2	S0306170252	CILINDRO COMPLETO LX 12/35 VERNIC.	Cylinder	Cylindre	Zylinder	Cilindro
219,3	S0306180347	CILINDRO COMPLETO LX 16/25 VERNIC.	Cylinder	Cylindre	Zylinder	Cilindro
219,4	S0306180345	CILINDRO COMPLETO LX 16/29 VERNIC.	Cylinder	Cylindre	Zylinder	Cilindro
219,5	S0306180346	CILINDRO COMPLETO LX 16/35 VERNIC.	Cylinder	Cylindre	Zylinder	Cilindro
220	G090024	KIT GUARNIZIONI LX12	Kit	Kit	Kit	Kit
220,1	G090025	KIT GUARNIZIONI LX16/25-29-35	Kit	Kit	Kit	Kit
221	G062025	SPEZZONE CATENA FLAYER BL534-91P	Chain	Chaîne	Kette	Cadena
221,1	G062026	SPEZZONE CATENA FLAYER BL534-103P	Chain	Chaîne	Kette	Cadena
221,2	G062027	SPEZZONE CATENA FLAYER BL534-123P	Chain	Chaîne	Kette	Cadena



Ref. Cod.

250	S0300171033	PORTAPULEGGIA LX12-16/16 VERNICIATO
251	S0306055043	PERNO x PORTAPULEGGIA IN GHISA
252	G010401	CUSCINETTO 6204 2RS (20-47-14)
253	S0306051019	PULEGGIA CUSC.DOPPIO VERN.(P.GHISA)
254	G062104	PERNO CATENA FLAYER BL544 D6x29
255	G087008	TAPPO MASCHIO DIN 908 GAS TMT 3/8"
256	G085005	VALVOLA VPN38H.F0.8 (L/VT)
257	G062006	SPEZZONE CATENA FLAYER BL534-69P
258	G090024	KIT GUARNIZIONI LX12
258,1	G090026	KIT GUARNIZIONI LX 16/16
259	S0306171032	PISTONE CILINDRO LX 12/16
259,1	S0306181040	PISTONE CILINDRO LX 16/25-29-35
260	S0306176058	DISTANZIALE CILINDRO L. 5 LX 12/16
260,1	S0306186068	DISTANZIALE CILINDRO L. 5 LX 16/16
261	S0306170249	CILINDRO COMPLETO LX 12/16 VERNIC.
261,1	S0306180348	CILINDRO COMPLETO LX 16/16 VERNIC.
262	S0306171031	GHIERA CILINDRO LX 12
262,1	S0306181038	GHIERA CILINDRO LX 16/16
263	S0306173055	STELO CILINDRO ELEVAT. LX 12/16
263,1	S0306183060	STELO CILINDRO ELEVAT. LX 16/16
264	S0307015017	PETTINE LUNGO TE-TM-L-L/VT ZINCATO

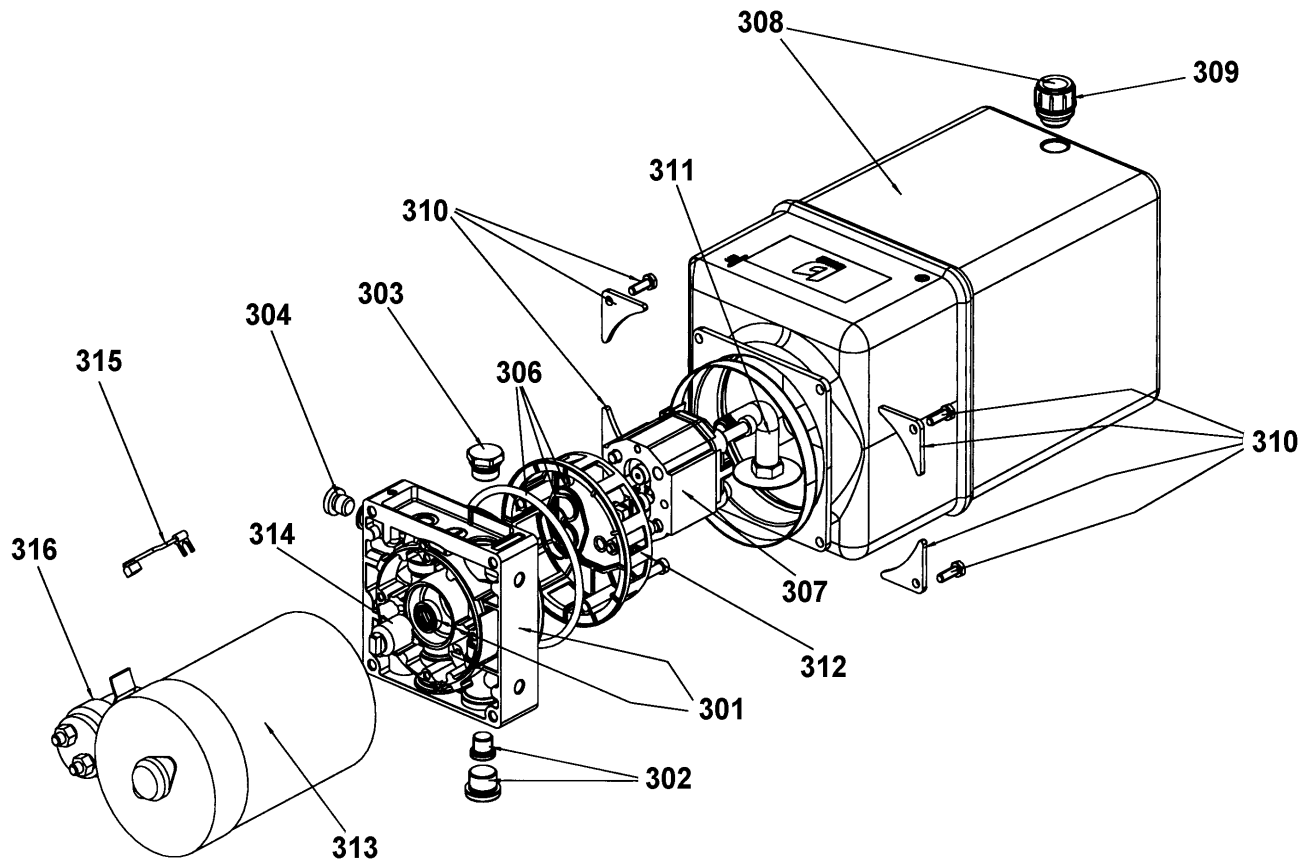
English

Français

Deutsch

Español

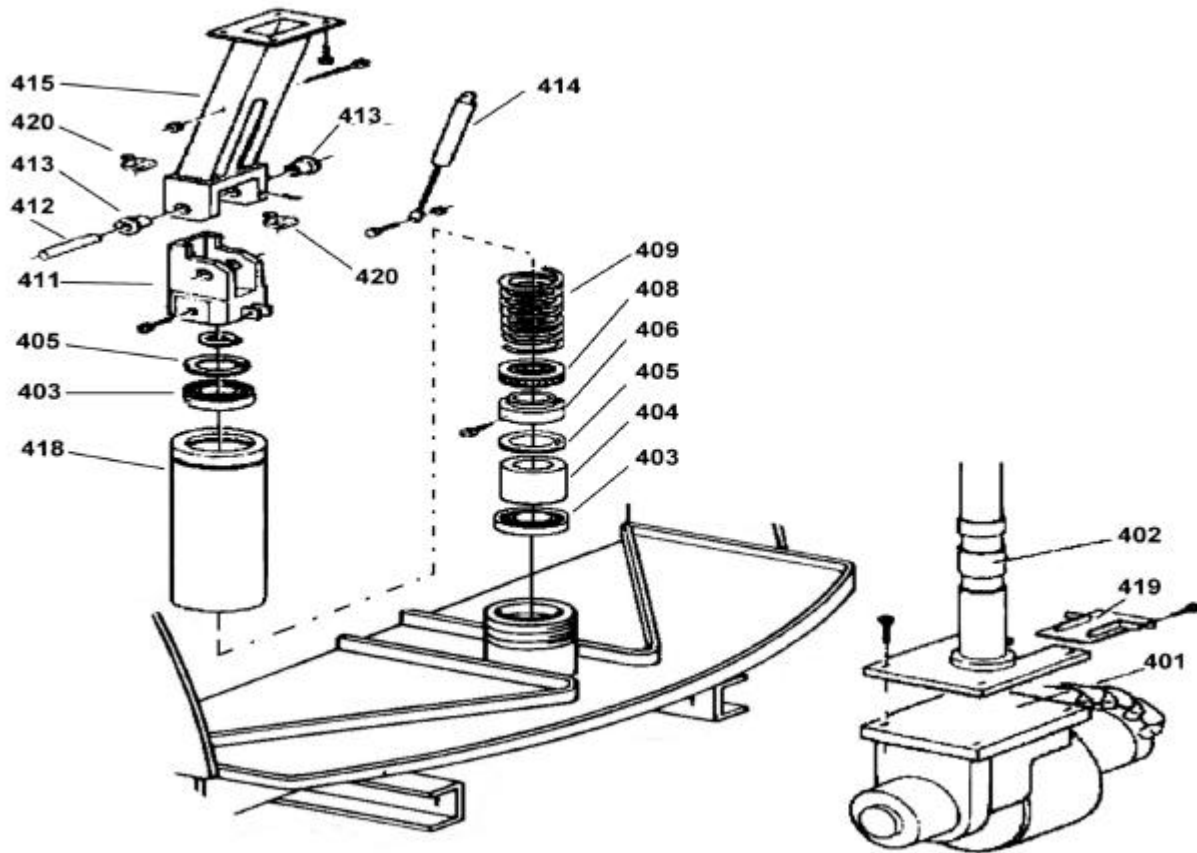
Pulley	Poulie	Scheibe	Polea
Sprig	Pivot	Bolzen	Pernio
Bearing	Roulement	Lager	Coinete
Pulley	Poulie	Scheibe	Polea
Sprig	Pivot	Bolzen	Pernio
Plug	Bouchon	Verschlußstopfen	Tapa
Valve	Soupape	Ventil	Valvula
Chain	Chaîne	Kette	Cadena
Kit	Kit	Kit	Kit
Kit	Kit	Kit	Kit
Piston	Piston	Kolben	Pistón
Piston	Piston	Kolben	Pistón
Spacer	Entretoise	Distanzstück	Distanciador
Spacer	Entretoise	Distanzstück	Distanciador
Cylinder	Cylindre	Zylinder	Cilindro
Cylinder	Cylindre	Zylinder	Cilindro
Plug	Collier de serrage	Nutmutter	Anilla
Plug	Collier de serrage	Nutmutter	Anilla
Stem	Tige	Stange	Vástago
Stem	Tige	Stange	Vástago
Jumper connection	Liaison	Verbindung	Puente



Ref.	Cod.		English	Français	Deutsch	Español
301	G082235	CORPO UP100K35+PARAOLIO (200740420140)	Pump	Pompe	Pumpe	Bomba
302	G082236	TAPPO 00VC00 MDM140 (200978400140)	Pluq	Bouchon	Verschlußstopfen	Tapa
303	G082190	TAPPO VALVOLA T817/0(HIDR.778800040)	Pluq	Bouchon	Verschlußstopfen	Tapa
304	G082237	TAPPO TCEI 1/4 (200527360201)	Pluq	Bouchon	Verschlußstopfen	Tapa
306	G082238	KIT GUARNIZIONI CORPOUP100(200974200180)	Kit	Kit	Kit	Kit
307	G082168	POMPA AP100/2.5 S.409+COP.748230030	Pump	Pompe	Pumpe	Bomba
308	G082239	SERB.UP100 P08 (200973450160)	Tank	Reservoir	Tank	Deposito
309	G082240	TAPPO TP SF. 1/2" (200527060502)	Pluq	Bouchon	Verschlußstopfen	Tapa
310	G082227	KIT FISSAGGIO SERBATOIO PL. UP100 6-14L.	Kit	Kit	Kit	Kit
311	G082241	GRUPPO ASPIRAZIONE (200759900940)	Tube	Tuyau	Rohr	Tubo
312	G082090	FILTRO CONV.150 MICRON (757500070)	Filter	Filtre	Filter	Filtro
313	G082182	MOTORE CC T109E 24v(HIDR.543924205)	Electric motor	Moteur electrique	Elektromotor	Motor elettrico
314	G082242	GIUNTO COMPLETO (200659600290)	Joint	Joint	Verbindung	Junta
315	G082147	KIT SPAZZOLE T.E. 12-24V CC 13809	Kit	Kit	Kit	Kit
316	G082127	RELE'COMPL. 24V CC P.C-E-F-G (EF.)	Relay	Relais	Relais	Relay

Gruppo Trazione

Detail: 5



Ref. Cod.

Ref.	Cod.	English
401	G074427	MOTORUOTA ECCITAZIONE SEP. 1,2 KW LX12
401,1	G074428	MOTORUOTA ECCITAZIONE SEP. 1,2 KW LX16
402	S0303170304	SUPPORTO MOTORUOTA LX16 VERNICIATO
402,2	S0303180337	SUPPORTO MOTORUOTA LX12 VERNICIATO
403	G010214	CUSCINETTO 6010 2Z (50-80-16)
404	S0303018002	BOCCOLA SCORRIMENTO MOTORUOTA L10
405	G042280	SEEGER INTERNO 3654 I 80
406	S0303016030	RONDELLA ALBERO MOTORUOTA L10
408	S0313080057	CUSCINETTO COMPLETO MOTORUOTA ELEVATORI
409	G001141	MOLLA De78 F.11x185 P.22 x L10-L16-L/VT
411	S0303011010	SUPPORTO TIMONE "L" (VERNICIATO)
412	S0304013027	PERNO TIMONE L-G-K20
413	G016353	BRONZINA AUTOLUB. 20x28x35 L=20
414	G001703	MOLLA GAS 198.236.20-GF2 VAPSINT
415	S0304010142	TIMONE VERNICIATO "L"-K20"
418	S0303010139	PREMIMOLLA L10 VERNICIATO
419	S0303010153	STAFFA CAVI MOTORUOTA L10-L16
420	G075004	MICROINTERRUTTORE (XG2-S20) xTIMONE L10

English

Français

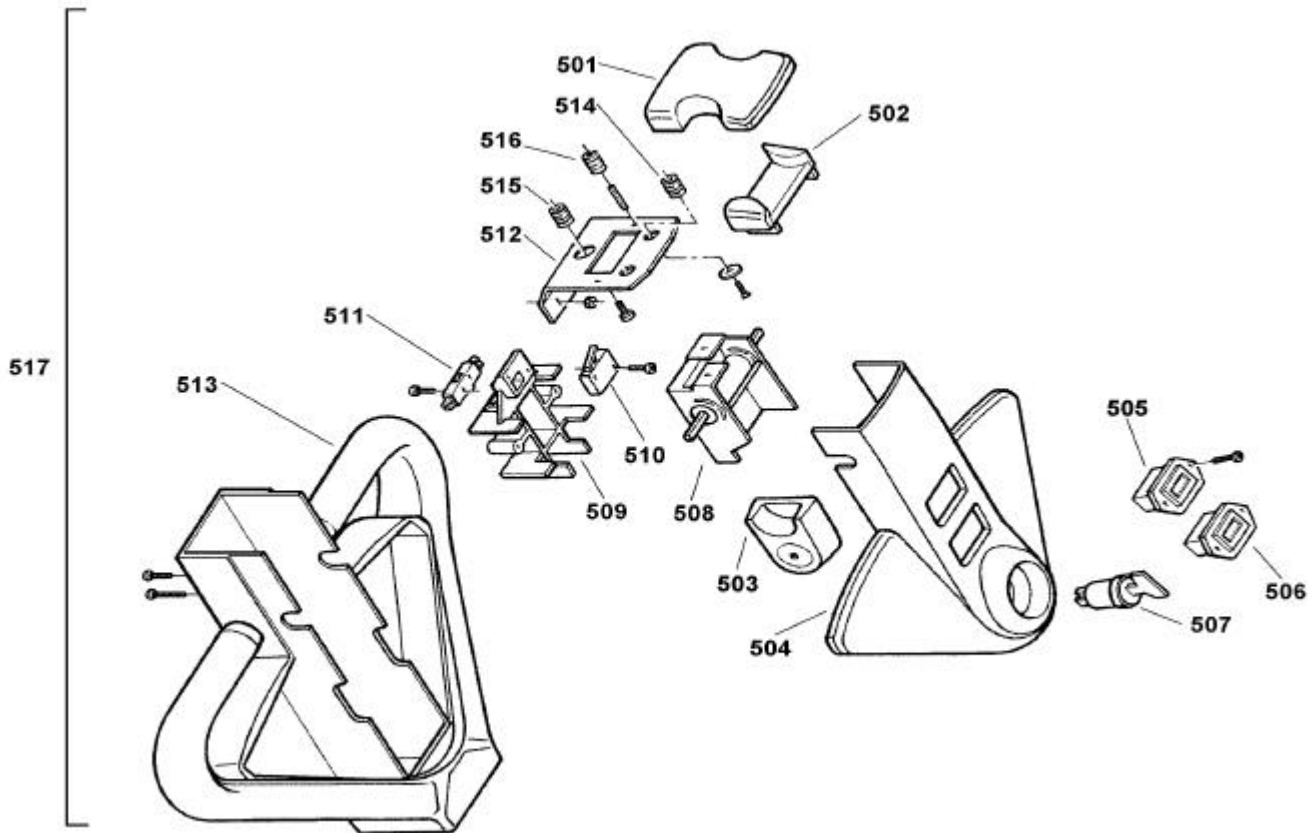
Deutsch

Español

English	Français	Deutsch	Español
Gearmotor	Motoreducteur	Getriebemotor	Motoreductor
Gearmotor	Motoreducteur	Getriebemotor	Motoreductor
Support	Support	Halterung	Soporte
Support	Support	Halterung	Soporte
Bearing	Roulement	Laager	Coinete
Bushing	Fourreau	Hülse	Tuerca
Seeqer	Seeqer	Seeqer-Ring	Seeqer
Ring	Rondelle	Beilaqscheibe	Arandela
Bearing	Roulement	Laager	Coinete
Spring	Ressort	Feder	Muelle
Support	Support	Halterung	Soporte
Spriq	Pivot	Bolzen	Pernio
Bronze bearing	Coussinet en bronz	Bronzelaager	Buje de bronze
Spring	Ressort	Feder	Muelle
Rudder	Timon	Deichsel	Timón
Spring press	Presse ressort	Druckfeder	Prensa-muelle
Bracket	Bride	Blechbüqel	Abrazadera
Microswitch	Microswitch	Mikroschalter	Microswitch

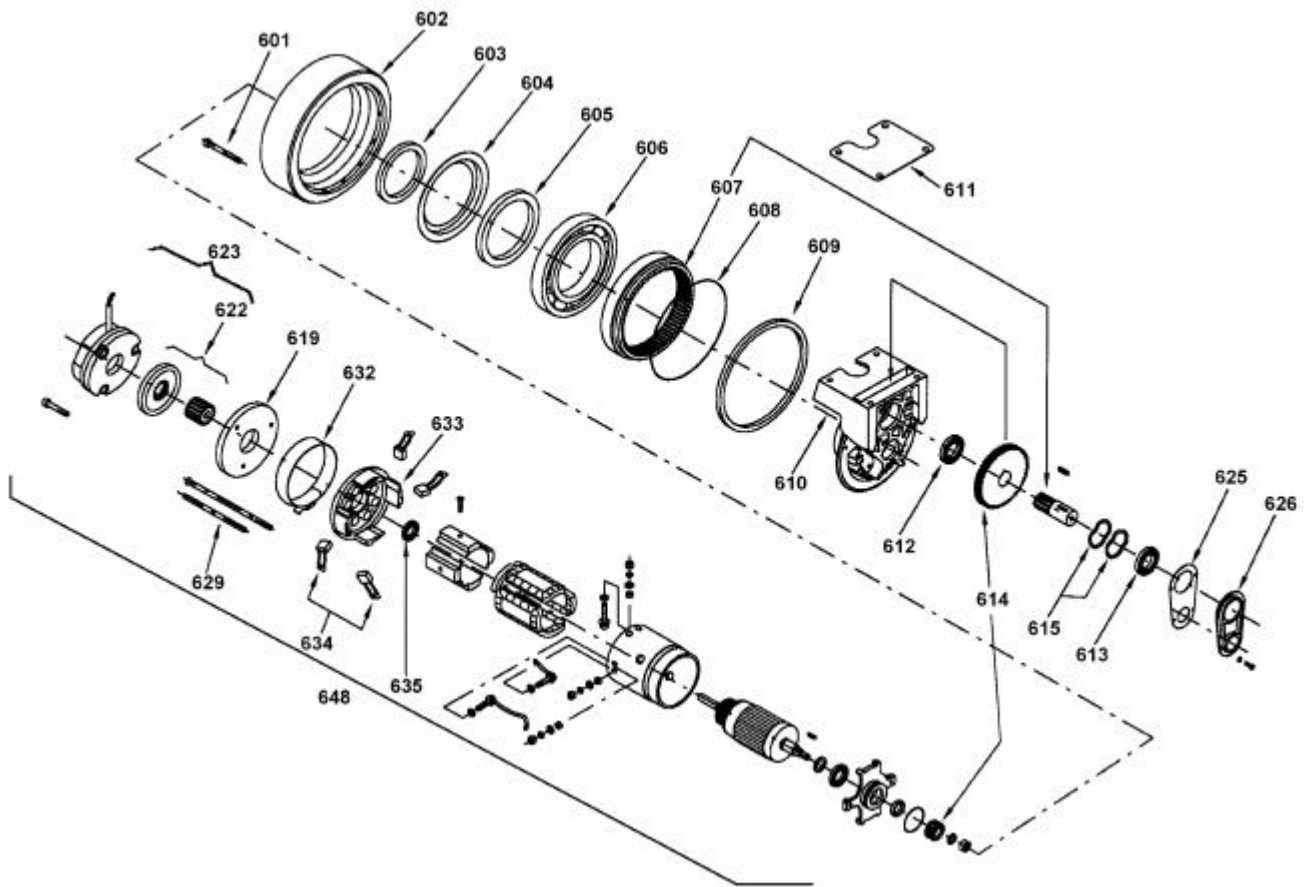
Scatola Comandi

Detail: 6



Ref. Cod.

Ref. Cod.	English	Français	Deutsch	Español	
0 S0319012001	CABLAGGIO TIMONE L/G (CURTIS)	Electric wiring	Cable électrique	Elektrische Verkabel	Cable elettrico
501 S0304178033	EMERGENZA TIMONE '00	Emergency	Emergence	Notfall	Emergencia
502 S0304178032	PULSANTE BASCULANTE CLACSON TIM. '00	Push button	Poussoir	Taster	Botón
503 S0304178031	FARFALLA TIMONE '00	Port throttle	Papillon	Drosselklappe	Estilo de mariposa
504 S0304178035	COPERCHIO TIMONE '00 x LX	Cover	Chape	Deckel	Tapa
505 G079005	INDICATORE STATO BATTERIA CURTIS	Lubricator	Éngraisseur	Schmiernippel	Engrasante
506 G079018	CONTAORE CURTIS	Lubricator	Éngraisseur	Schmiernippel	Engrasante
507 G078058	BLOCCHETTO CHIAVE RCH (RCH REGHEL)	Key	Clé	Schlüssel	Llave
508 G077004	ACCELERATORE ET 103 CABLATO L-G10	Throttle	Accélérateur	Drehzahlregler	Acelerador
509 S0304178034	SUPPORTO POTENZIOMETRO TIMONE '00	Support	Support	Halterung	Soporte
510 G075017	MICROINTERRUTTORE XG52-J21	Microswitch	Microswitch	Mikroschalter	Microswitch
511 G075016	MICROITERRUTTORE CROUZET 5A 250V	Microswitch	Microswitch	Mikroschalter	Microswitch
512 G07330	PIASTRINA SUPP. EMERGENZA TIMONE '00	Plate	Plaque	Platte	Plancha
513 S0304178044	TIMONIERA '00 RICOPERTA (POLY)	Rudder	Timon	Deichsel	Timón
514 G001132	MOLLA De11 FILO1 SPIRE4 L10 MOL/ZN	Spring	Ressort	Feder	Muelle
515 G001134	MOLLA De12,3 F1 SPIRE9 L=24 ZINCATA	Spring	Ressort	Feder	Muelle
516 G001131	MOLLA De5,6 F0,5 SPIRE10 L20 ZINC.	Spring	Ressort	Feder	Muelle
517 S0304190101	TIMONIERA '00 COMPLETA CARRELLI LX	Rudder	Timon	Deichsel	Timón



Ref. Cod.	English	Français	Deutsch	Español	
601 G073242	VITE FISSAGGIO RUOTA (93642 CIMA)	Screw	Vis	Schraube	Tornillo
602 G073312	ANELLO MOT. GOMMA (12953 CIMA) L10 NEW	Driving wheel ring	Bandage roue motri	Ring für Antriebsrad	Anillo motorueda
602,1 G073301	ANELLO MOT. GOMMA (12951 CIMA) L16 NEW	Driving wheel ring	Bandage roue motri	Ring für Antriebsrad	Anillo motorueda
603 G073006	ANELLO (14201 CIMA)	Driving wheel ring	Bandage roue motri	Ring für Antriebsrad	Anillo motorueda
604 G073302	ANELLO PROTEZIONE (14304 CIMA)	Driving wheel ring	Bandage roue motri	Ring für Antriebsrad	Anillo motorueda
605 G073303	GUARNIZIONE MOTORUOTA (90108 CIMA)	Gasket	Joint	Dichtung	Guarnición
606 G073009	CUSCINETTO (91111 CIMA)	Bearing	Roulement	Lager	Cojinete
607 G073304	PIGNONE RINVIO+CORONA (12946 CIMA)	Pinion	Pignon	Ritzel	Piñon
608 G073305	OR PER CORONA (91534 CIMA)	O-ring	O-ring	O-Ring	Anillo o-ring
609 G073306	GUARNIZIONE MOTORUOTA (90115 CIMA)	Gasket	Joint	Dichtung	Guarnición
610 G073307	FUSIONE MOTORUOTA (13054 CIMA)	Fusion	Fusion	Gußteil	Fusión
611 G073011	GUARNIZIONE MOTORUOTA (13902 CIMA)	Gasket	Joint	Dichtung	Guarnición
612 G073247	CUSCINETTO (91110 CIMA)	Bearing	Roulement	Lager	Cojinete
613 G073026	CUSCINETTO (91109 CIMA) 16006	Bearing	Roulement	Lager	Cojinete
614 G073029	PIGNONE+RUOTA COND. (12903 CIMA)	Pinion	Pignon	Ritzel	Piñon
615 G073030	ANELLO COMPENSAZIONE (92702 CIMA)	Driving wheel ring	Bandage roue motri	Ring für Antriebsrad	Anillo motorueda
619 G073016	PIASTRA PORTA FRENO (13703 CIMA)	Plate	Plaque	Platte	Plancha
619,1 G073089	PIASTRA PORTA FRENO (13709 CIMA)	Plate	Plaque	Platte	Plancha
622 G073066	FERODO+MOZZO (12914 CIMA)	Hub	Moyeu	Nabe	Cubo
622,1 G073308	FERODO+MOZZO (12940 CIMA)	Hub	Moyeu	Nabe	Cubo
623 G073036	ELETTROFRENO MOTOR. 24V (11114CIMA)	Brake	Frein	Bremse	Freno
623,1 G073091	ELETTROFRENO MOTOR. 24V (11124CIMA)	Brake	Frein	Bremse	Freno
625 G073013	GUARNIZIONE (13901 CIMA)	Gasket	Joint	Dichtung	Guarnición
626 G073014	COPERCHIO (14101 CIMA)	Cover	Chape	Deckel	Tapa
629 G073067	TIRANTE+TUBETTO (34105+34107+34115CIMA)	Tension rod	Tirant	Zugstange	Tirante
632 G073032	FASCETTA ALETTATA (33701 CIMA)	Hose clip	Bande	Befestigungsschelle	Tira
633 G073019	SUPPORTO COLLETTORE (31886 CIMA)	Support	Support	Halterung	Soporte
634 G073068	KIT SPAZZOLE MOTOR. 24V (CIMA33616)	Kit	Kit	Kit	Kit

STACKER "LX " (1200-1600 KG)

ELEKTRO STAPLER "LX" (1200-1600 KG)

GERBEUR "LX" (1200-1600 KG)

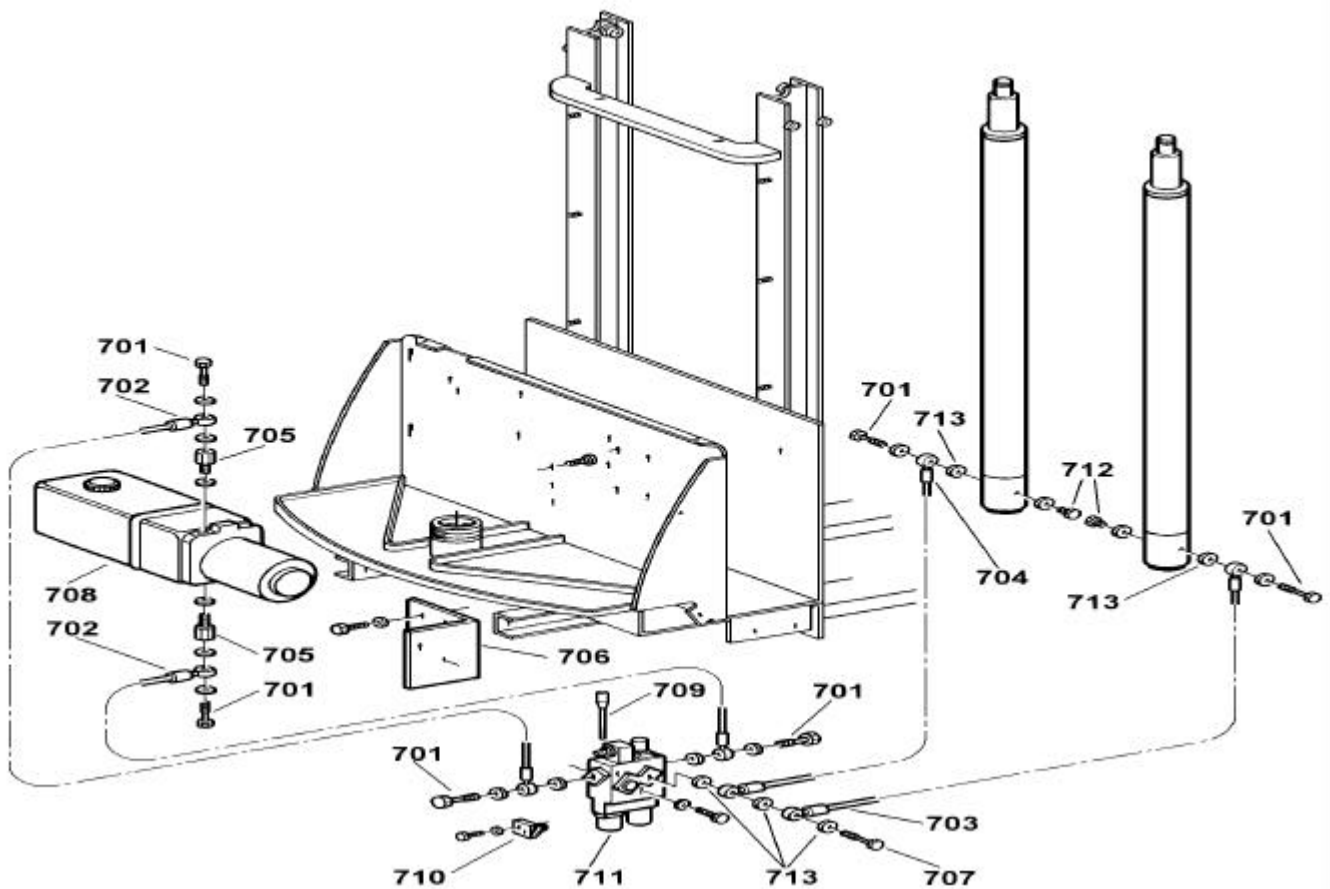
CARRETILLA ELEVADORA "LX" (1200-1600 KG)

Riduttore**Detail: 7**

635	G073249	CUSCINETTO COLLETORE (91120 CIMA)	Bearing	Roulement	Lager	Cojinete
648	G073338	MOTORE COMPLETO LX12 (30275)	Electric motor	Moteur electrique	Elektromotor	Motor eletrico
648,1	G073339	MOTORE COMPLETO LX16 (30295)	Electric motor	Moteur electrique	Elektromotor	Motor eletrico

Impianto Idraulico

Detail: 8



Ref. Cod.

Ref. Cod.	English	Français	Deutsch	Español	
701 G084001	VITE FORO 3/8" ESAG. 22	Screw	Vis	Schraube	Tornillo
702 G083013	TUBO R1T 3/8" OCCHIO 3/8"-3/8"L=450	Tube	Tuyau	Rohr	Tubo
703 G083002	TUBO R1T 3/8"OCCHIO 3/8"-3/8" L=800	Tube	Tuyau	Rohr	Tubo
704 G083012	TUBO R1T 3/8" OCCHIO3/8"-3/8"L=1250	Tube	Tuyau	Rohr	Tubo
705 G084112	RIDUZIONE MASCHIO 1/4-FEMMINA 3/8	Bend	Raccord	Anschlußstück	Enlace
706 S0300177019	ATTACCO DISTRIBUTORE LX 12-16 VERNICIATO	Protection	Protection	Schutz	Protección
707 G084002	VITE DOPPIO FORO 3/8" ESAGONO 22	Screw	Vis	Schraube	Tornillo
708 G081022	CENTR.223253001 UP100 (LX12-LX16)	Triqger box	Groupe hydraulique	Steuerung	Caja eletrica
709 G085004	ASTA LEVA AL001 HDM10 M08X125	Rod	Barre	Stange	Asta
710 G075004	MICROINTERRUTTORE (XG2-S20) xTIMONE L10	Microswitch	Microswitch	Mikroschalter	Microswitch
711 G085008	DISTRIB. HDM140K02 150M.1/274D6+VALVOLA	Distributor	Distributeur	Verteiler	Distribudor
712 G087007	TAPPO MASCHIO ES. GAS TME 3/8	Plug	Bouchon	Verschußstopfen	Tapa
713 G096109	RONDELLA GOMMA-METALLO RGM 3/8"	Ring	Rondelle	Beilaqscheibe	Arandela

STACKER "LX " (1200-1600 KG)

ELEKTRO STAPLER "LX" (1200-1600 KG)

GERBEUR "LX" (1200-1600 KG)

CARRETILLA ELEVADORA "LX" (1200-1600 KG)

Impianto Idraulico

Detail: 8

* Modifiche / Updates / Modifications / Änderungen / Modificaciones :

Rev.:

0

23/05/00

Det. Ref.	Present Code	Serial N.	Old	New	Interc.	Dat.
-----------	--------------	-----------	-----	-----	---------	------