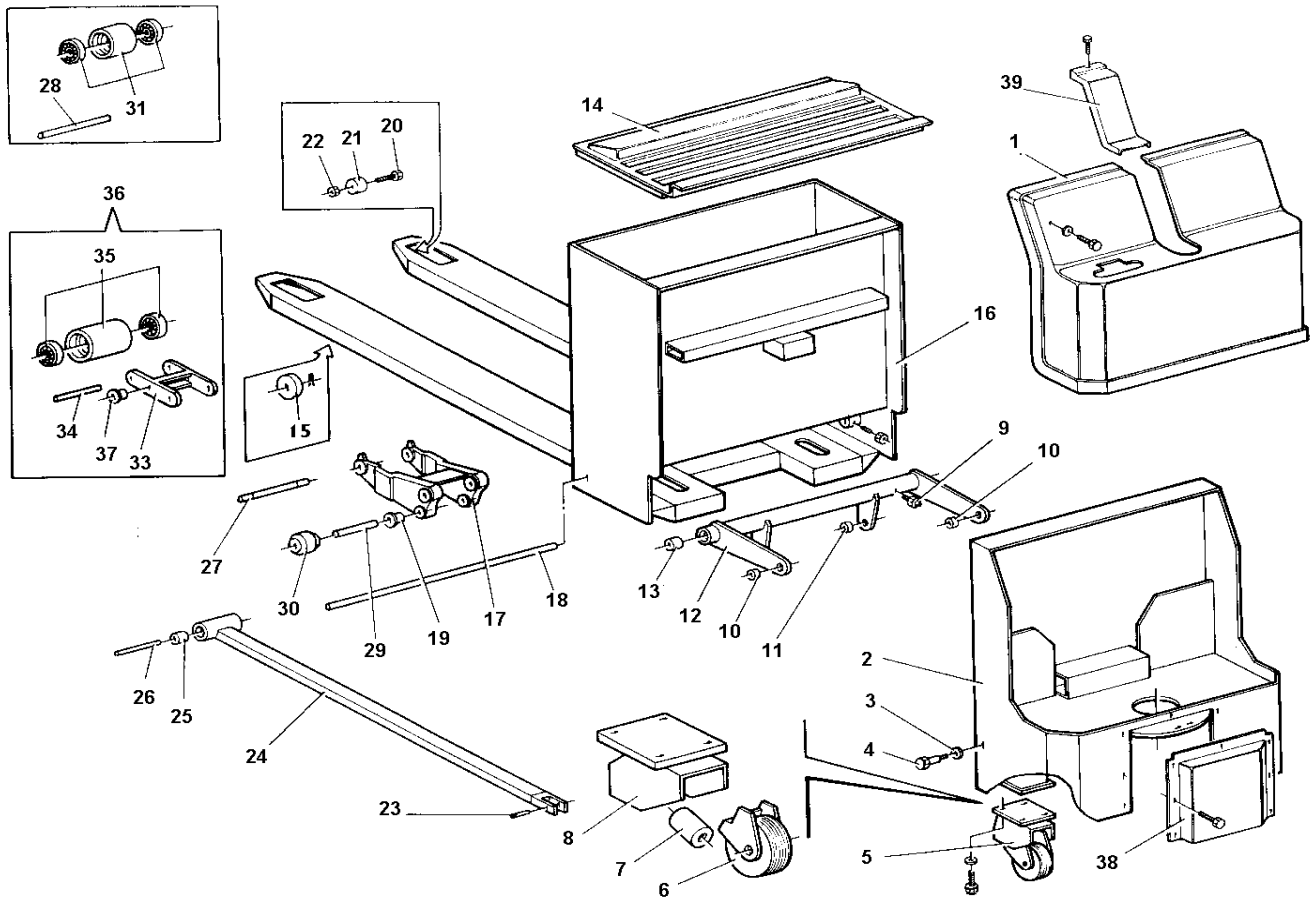


## Telaio

Detail: 1



## Ref. Cod.

Ref. Cod.	English	Français	Deutsch	Español	
1 S0111018007	CARTER COFANO K20	Guard	Carter	Gehäuseteil	Carter
2 V0110210158-100 *	PORTALE K20 SMONTABILE COMPL.x RICAMBI				
3 G041720	ROSETTA EL. VENT INT. 6798J D20	Ring	Rondelle	Beilagscheibe	Arandela
4 S0114015030	VITE BILANCIERE K20	Screw	Vis	Schraube	Tornillo
5 G053343	* RUOTA POLY.C D100x40 COMPLETA BLICKLE				
6 G053319	RUOTA POLY.C D100x40/40 (LAG)+CUSCINETTI	Drive wheel	Roue	Rad	Rueda
7 G053421	* MOLLA POLY 38x10.5x42 DUREZZA 95ShA	Spring	Ressort	Feder	Muelle
8 G053409	SUPPORTO SPG100 MOLL. +BOCCOLE B14 x K20	Support	Support	Halterung	Soporte
9 G045022	INGRASSATORE TESTA A SPILLO M8	Lubricator	Éngraisneur	Schmiernippel	Engrasante
10 G016360	BRONZINA d20xD28xL15 BRONZO B14	Bronze bearing	Coussinet en bronze	Bronzelager	Buje de bronze
11 G016339	BRONZINA d16xD28xL15 BRONZO B14	Bronze bearing	Coussinet en bronze	Bronzelager	Buje de bronze
12 S0113010015	BILANCIERE TP/E-K20 550 VERNICIATO	Rocker arm	Balancier	Kipphebel	Balancin
12,1 S0113020075	BILANCIERE TP/E-K20 680 VERNICIATO	Rocker arm	Balancier	Kipphebel	Balancin
13 G016356	BRONZINA d22xD32xL22 BRONZO B14	Bronze bearing	Coussinet en bronze	Bronzelager	Buje de bronze
14 S0111018008	CARTER BATTERIA K20 ABS	Guard	Carter	Gehäuseteil	Carter
15 S0112015020	RULLO POSTERIORE USCITA TP/E	Roll	Roulean	Rolle	Rodillo
16 V0111010104-100	TELAIO K20 1150x550 VERN.GIALLO RAL1003	Chassis	Chassis	Rahmen	Chasis
16,1 V0111010128-100	TELAIO K20 1000x550 VERN.GIALLO RAL1003	Chassis	Chassis	Rahmen	Chasis
16,2 V0111010137-100	TELAIO K20 1150x680 VERN.GIALLO RAL1003	Chassis	Chassis	Rahmen	Chasis
16,3 V0111010139-100	TELAIO K20 1000x680 VERN.GIALLO RAL1003	Chassis	Chassis	Rahmen	Chasis
17 S0112010157 *	SCARPETTA DOPPIA TP/E LAVOR.(SPINA 6x40)	Shoe	Fourche	Schuh	Zapata
18 S0113015029	ASSE BILANCIERE K20	Axle	Axe	Achse	Eje
19 S0112011009	BRONZINA SCARPETTA K20 BRONZO B14	Bronze bearing	Coussinet en bronze	Bronzelager	Buje de bronze
20 G022016	VITE TE 5739 65 8.8 M8x50 ZN	Screw	Vis	Schraube	Tornillo
21 G056103	RULLINO AVVIO FORCA TP/E-GS	Roll	Roulean	Rolle	Rodillo
22 G034308	DADO AUTOBL. 7473 M 8 ZN	Nut	Dés	Mutter	Tuerca
23 S0112013005	PERNO BIELLE TP/E	Sprig	Pivot	Bolzen	Pernio

**K20****TRANSPALLET ELETTRONICO MOD. "K20"**

ELECTRONIC PALLET TRUCK MOD. "K20"

ELEKTRO HUBWAGEN "K20"

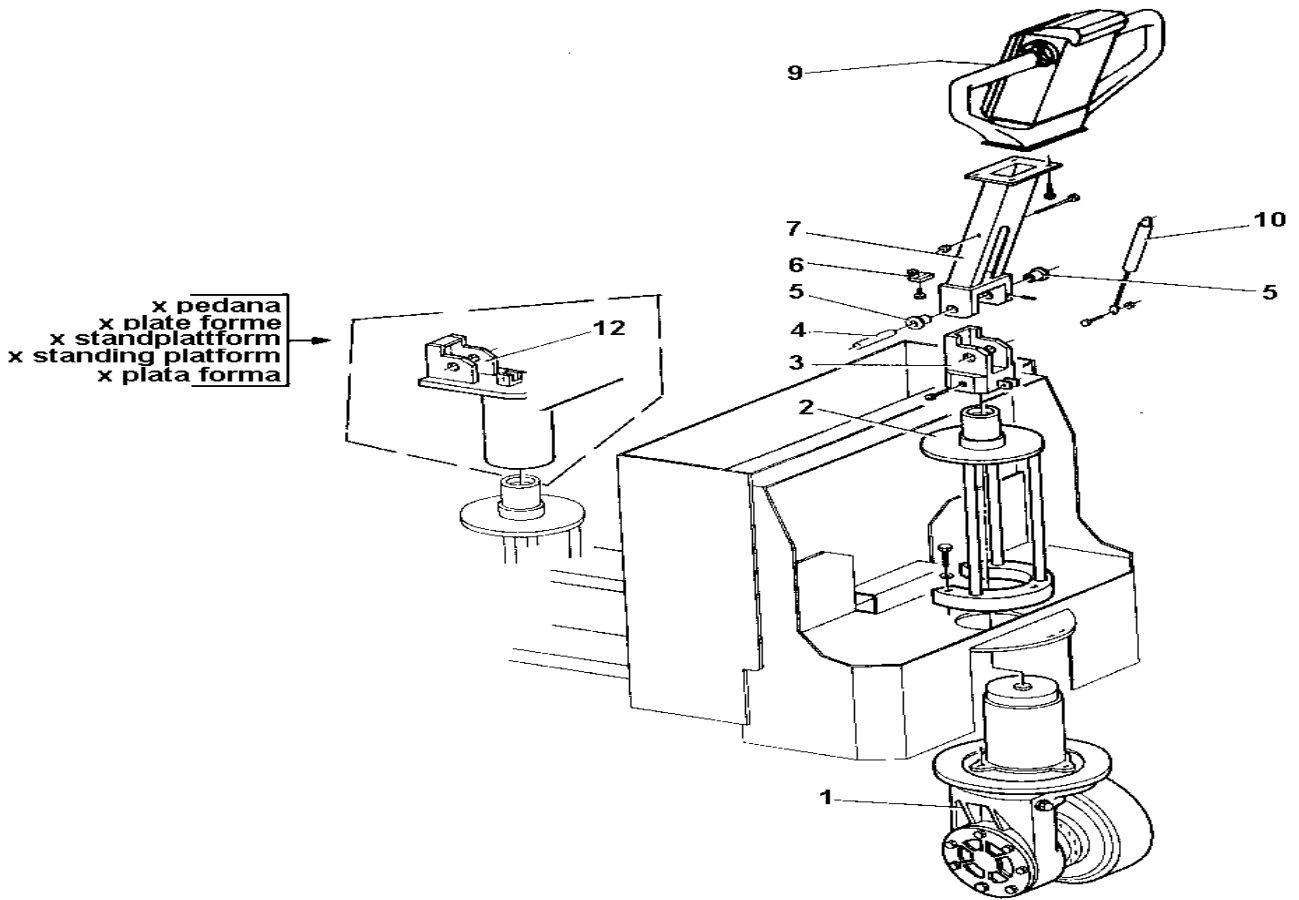
TRANSPALETTE ELETTRONICO MOD. "K20"

TRANSPALETA ELECTRONICO "K20"

<b>Telaio</b>				<b>Detail: 1</b>		
24	S0112010086	BIELLA TP/E-K20 1150 VERNICIATA	Connecting rod	Bielle	Pleuelstange	Biela
24,1	S0112020092	BIELLA TP/E-K20 1000 VERNICIATA	Connecting rod	Bielle	Pleuelstange	Biela
25	G016337	BRONZINA d16xD22xL16 BRONZO B14	Bronze bearing	Coussinet en bronze	Bronzelager	Buje de bronze
26	S0112015038	* PERNO BIELLA-SCARPETTA TPE-K20(SPINA D6)	Sprig	Pivot	Bolzen	Pernio
27	S0112015019	PERNO ATTACCO TANDEM TP/E (TANDEM SALD.)	Sprig	Pivot	Bolzen	Pernio
28	S0112015023	PERNO ATTACCO TANDEM TP/E (TANDEM GHISA)	Sprig	Pivot	Bolzen	Pernio
29	S0112015018	PERNO RIFERIMENTO TP/E	Sprig	Pivot	Bolzen	Pernio
30	G056392	* RULLO AVVIO SCARPETTA D38 K20-TP/E	Roll	Roulean	Rolle	Rodillo
31	S0112020093	RULLO POLY.C D82x80 + CUSCINETTI	Roll	Roulean	Rolle	Rodillo
33	S0112011011	* TANDEM K20 (LAVORATO)	Roller guide	Porte ruoleau	Rollenträger	Portarulo
34	S0112015022	PERNO RULLO TANDEM TP/E	Sprig	Pivot	Bolzen	Pernio
35	S0002010134	RULLO POLY.C D82x60 + CUSCINETTI	Roll	Roulean	Rolle	Rodillo
36	S0112010006	TANDEM COMPLETO RULLI POLY.C D82x60 TP/E	Roller guide	Porte ruoleau	Rollenträger	Portarulo
37	G016352	BRONZ.d20xD28xD35 L14 BRON.B14 (TAN.K20)	Bronze bearing	Coussinet en bronze	Bronzelager	Buje de bronze
38	S0111010124	CARTER MOTORUOTA K20 (VERNICIATO)	Guard	Carter	Gehäuseteil	Carter
39	S0111018010	FRONTALE CHIUSURA CARTER K20	Guard	Carter	Gehäuseteil	Carter

**Gruppo di trazione**

**Detail: 2**



**Ref. Cod.**

1	S0114020222	* MOTORUOTA MONTATA K20 HURTH+CFR+K04
2	S0114010161	* ASSIEME SUPPORTO TIMONE K20 HURTH LAVOR.
3	S0303011010	SUPPORTO TIMONE "L" (VERNICIATO)
4	S0304013027	PERNO TIMONE L-G-K20
5	G016353	BRONZINA AUTOLUB. 20x28x35 L=20
6	G075004	MICROINTERRUTTORE (XG2-S20) xTIMONE L10
7	S0304010142	TIMONE VERNICIATO "L"-"K20"
7,1	S0304010211	TIMONE VERNICIATO x PEDANA "L"-"K20"
9	S0114010135	TIMONIERA COMPLETA LK/TRANSP.ELETTTR
10	G001703	* MOLLA GAS 198.236.20-GF2 VAPSINT
12	S0118011014	SUPPORTO TIMONE K20 PEDANA VERNICIATO

**English**

**Français**

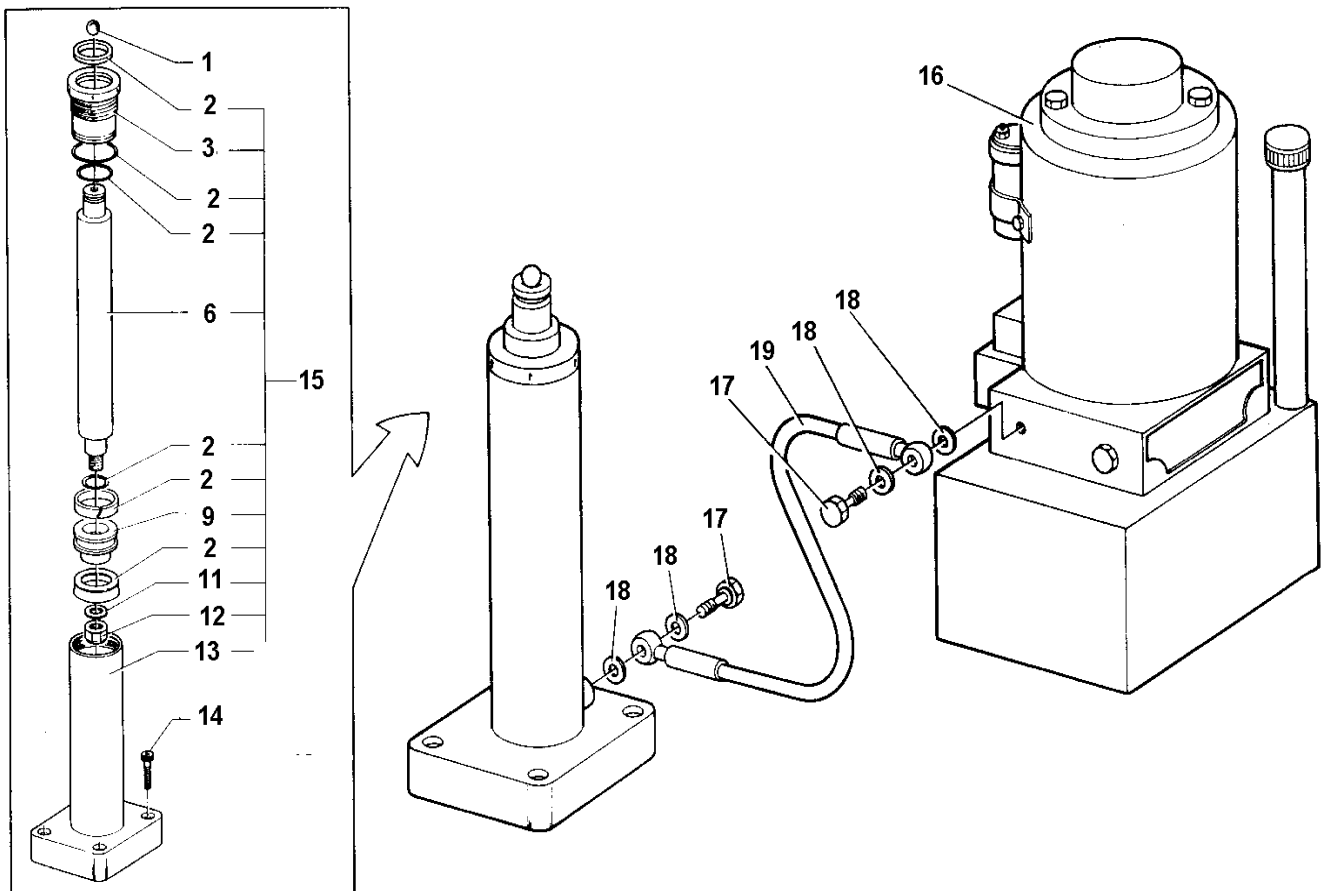
**Deutsch**

**Español**

Gearmotor	Motoreducteur	Getriebemotor	Motoreductor
Support	Support	Halterung	Soporte
Support	Support	Halterung	Soporte
Sprig	Pivot	Bolzen	Pernio
Bronze bearing	Coussinet en bronze	Bronzelager	Buje de bronze
Microswitch	Microswitch	Mikroschalter	Microswitch
Rudder	Timon	Deichsel	Timón
Rudder	Timon	Deichsel	Timón
Rudder	Timon	Deichsel	Timón
Spring	Ressort	Feder	Muelle
Support	Support	Halterung	Soporte

## Impianto idraulico

Detail: 3



## Ref. Cod.

1	G016112	SFERA 25/32" (mm19,844)
2	G090002	KIT GUARNIZIONI TP/E-K20
3	S0114011002	GHIERA CILINDRO TP/E
6	S0114013001	STELO CILINDRO TP/E-K20
9	S0114011001	PISTONE TP/E
11	G041909	ROSETTA PIANA 6592 D24 ZN
12	G034402	DADO BASSO AUTOBL. 7474 M24 ZN
13	S0114010126	CILINDRO K20 (SALDATO)
14	G022112	VITE TCEI 5931-67 8.8 M8x20 ZN
15	S0114010102	CILINDRO K20 VERNICIATO
16	G081012	CENTR.218333008 UP50 K04 2000W xK20
17	G084102	NYPLES RIDUZIONE NR 3/8-1/4 GAS
18	G096103	RONDELLA ALLUMINIO 3/8" SPESSORE 2mm
19	G083014	TUBO R1T3/8" F.903/8"-OC.3/8" L=320

## English

Ball
Kit
Plug
Stem
Piston
Ring
Nut
Cylinder
Screw
Cylinder
Trigger box
Nipple
Ring
Tube

## Français

Bille
Kit
Collier de serrage
Tige
Piston
Rondelle
Dés
Cylindre
Vis
Cylindre
Groupe hydraulique
Raccord
Rondelle
Tuyau

## Deutsch

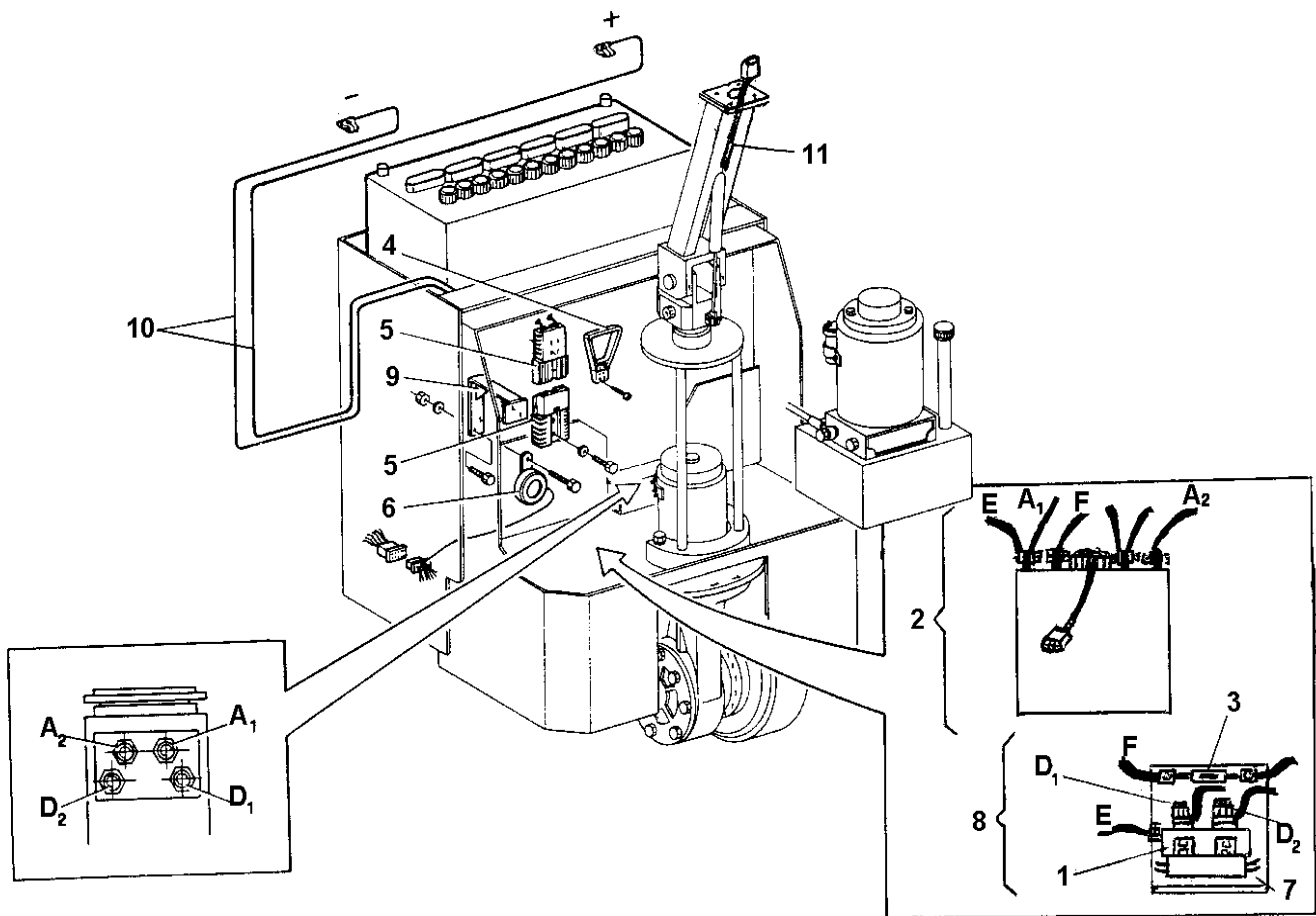
Kugel
Kit
Nutmutter
Stange
Kolben
Beilagscheibe
Mutter
Zylinder
Schraube
Zylinder
Steuerung
Nippel
Beilagscheibe
Rohr

## Español

Esfera
Kit
Anilla
Vástago
Pistón
Arandela
Tuerca
Cilindro
Tornillo
Cilindro
Caja eléctrica
Racor
Arandela
Tubo

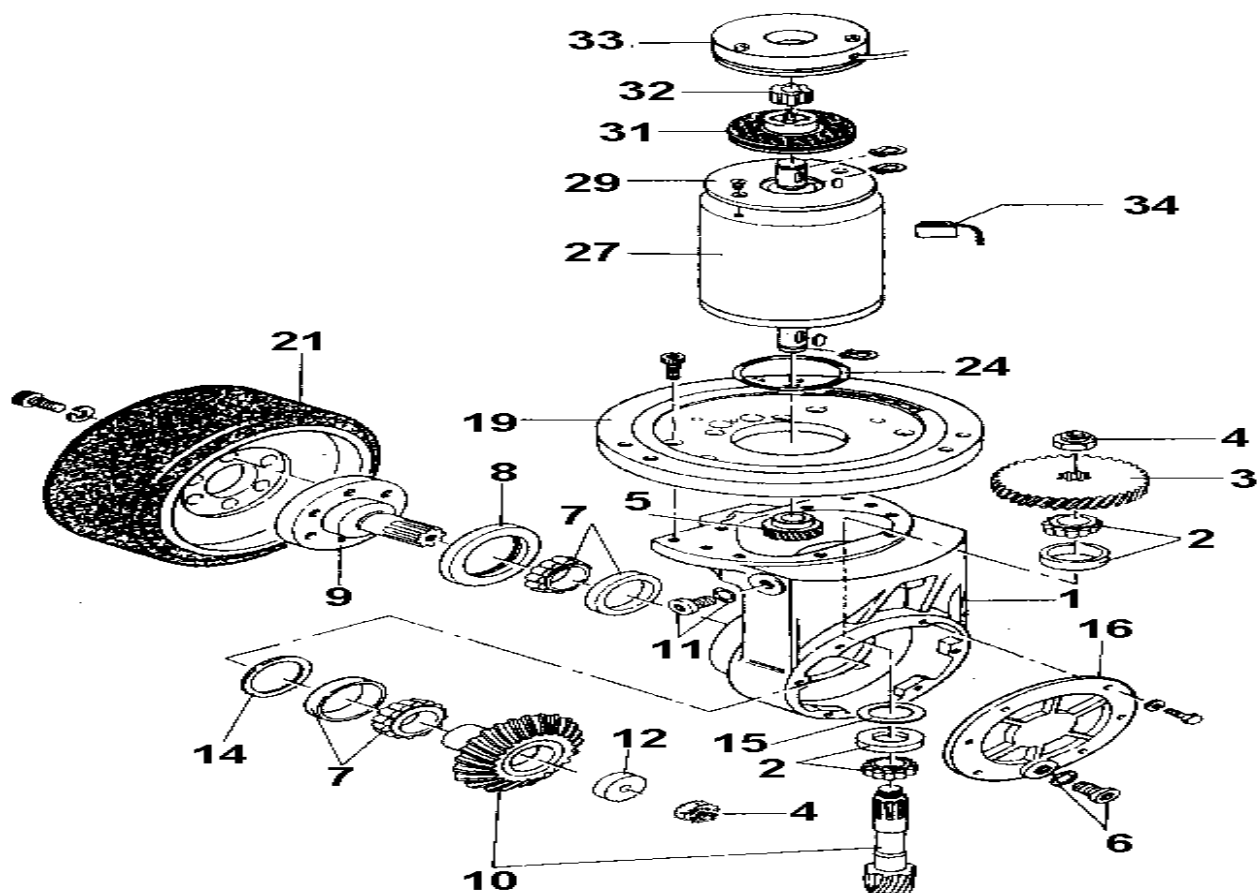
## Impianto elettrico

Detail: 4



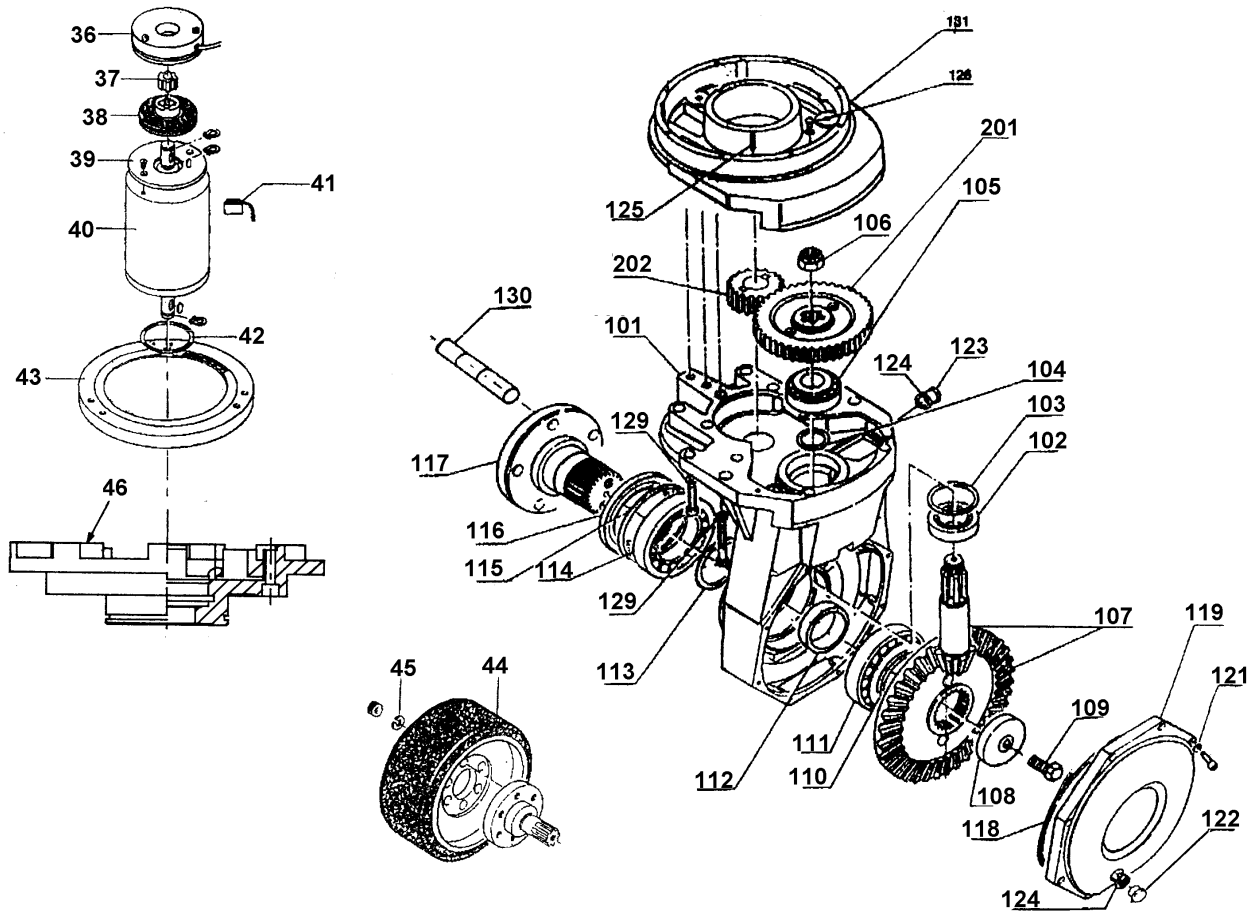
## Ref. Cod.

Ref. Cod.	English	Français	Deutsch	Español	
0 G077544	FUSIBILE VETRO 6.3A(900032REGHEL)	Fuse	Fusible	Schmelzsicherung	Fusible
1 G079003	TELERUTTORE DC88-369E 24V (ALBRIGHT)	Relay	Relais	Relais	Relay
2 G076016	SCHEDA 1207CURTIS TARATA x K20	Electronic card	Fiche électronique	Elektronik-Platine	Ficha eletrica
3 G077540	FUSIBILE 160A (RFM REGHEL)	Fuse	Fusible	Schmelzsicherung	Fusible
4 G071203	MANIGLIA AB 995 G3 (ANDERSON)	Adapter	Connecteur	Verbinder	Conector
5 G071099	CONNETTORE 160A SBE6379G2 ANDERSON	Adapter	Connecteur	Verbinder	Conector
6 G075110	CLACSON 24V DC MOD.K70 + STAFFA "H"	Electrical Compone	Composant Electriq	Elektrischer Bestand	Componente Eléctri
7 G07229	PIASTRA FISSAGGIO TELERUTT. CURTIS	Plate	Plaque	Platte	Plancha
8 S0115010140	CABLAGGIO TELERUTTORI L-K20 CURTIS	Electric wiring	Cable électrique	Elektrische Verkabel	Cable eletrico
9 S0115010118	SUPPORTO SPINA BIPOLARE K20	Support	Support	Halterung	Soporte
10 S0115010155	CABLAGGIO ELETTRICO K20 (CURTIS)	Electric wiring	Cable électrique	Elektrische Verkabel	Cable eletrico
11 S0309090212	CABLAGGIO TIMONE K20 (CURTIS)	Electric wiring	Cable électrique	Elektrische Verkabel	Cable eletrico



## Ref. Cod.

Ref. Cod.	English	Français	Deutsch	Español	
1 G073098	CORPO RIDUTTORE TV 100 (01231TEKNO)	Governor	Reducteur	Getriebe	Reductor
2 G013103	CUSCINETTO RULLI CONICI 30204	Bearing	Roulement	Lager	Cojinete
3 G073095	INGRANAGGIO TV 100 (01247 TEKNO)	Gear	Roue dentée	Zahnrad	Rueda dandada
4 G073198	* GHIERA DI SICUREZZA (TEKNO 01337)	Plug	Collier de serrage	Nutmutter	Anilla
5 G073109	PIGNONE MOTORUOTA TV100(01246TEKNO)	Pinion	Pignon	Ritzel	Piñon
6 G073103	TAPPO MAGNETICO MOTOR. (53094TEKNO)	Plug	Bouchon	Verschlußstopfen	Tapa
7 G013104	CUSCINETTO RULLI CONICI 32009	Bearing	Roulement	Lager	Cojinete
8 G098303	GUARNIZIONE MIM 70/85/8	Gasket	Joint	Dichtung	Guarnición
9 G073108	ALBERO RUOTA (01686 TEKNO)	Shaft	Arbre	Kubelwelle	Mastil
10 G073096	COPPIA CONICA (01235-01287 TEKNO)	Couple	Couple	Paar	Pareja
11 G073197	* TAPPO CARICO OLIO (TEKNO 53146)	Plug	Bouchon	Verschlußstopfen	Tapa
12 G073104	RONDELLA MOTORUOTA (01238 TEKNO)	Ring	Rondelle	Beilagscheibe	Arandela
14 G073106	SERIE SPESSORI (53137 TEKNO)	Shim	Épaisseur	Distanzstück	Espesor
15 G073000	SERIE SPESSORI (53136 TEKNO) (N03 CIRCA)	Shim	Épaisseur	Distanzstück	Espesor
16 G073099	COPERCHIO MOTORUOTA (01239 TEKNO)	Cover	Chape	Deckel	Tapa
19 G073105	RALLA MOTOR. TV100 (01240 TEKNO)	Bearing	Roulement	Lager	Cojinete
21 G073097	ANELLO MOTORUOTA POLY.C TV100 K20	Driving wheel ring	Bandage roue motri	Ring für Antriebsrad	Anillo motorueda
21,1 G073124	ANELLO MOTORUOTA GOMMA TV100 (K20)	Driving wheel ring	Bandage roue motri	Ring für Antriebsrad	Anillo motorueda
21,2 G073216	ANELLO MOT.POLY.C SCOLP. TV100 K20	Driving wheel ring	Bandage roue motri	Ring für Antriebsrad	Anillo motorueda
24 G095042	O-RING (151DOWTY) 75,87x2,62	O-ring	O-ring	O-Ring	Anillo o-ring
27 G073135	MOTORE 1000W 24V VENTILATO xK20(CFR1677)	Electric motor	Moteur électrique	Elektromotor	Motor elettrico
29 G073118	PIASTRA FRENO K04 x K20 TEKNO/CFR	Plate	Plaque	Platte	Plancha
31 G073119	FERODO+DISCO FRENO K04 x K20(TEKNO)	Hub	Moyeu	Nabe	Cubo
32 G073169	MOZZO FRENO K04 D.int=14 x K20	Hub	Moyeu	Nabe	Cubo
33 G073190	ELETTROFRENO K04 COMPLETO 24V	Brake	Frein	Bremse	Freno
34 G073265	KIT SPAZZOLE MOTOR. 24V CFR VENTIL.	Kit	Kit	Kit	Kit



Ref. Cod.

0	G073212	RIDUTTORE GRP8-1Kw (HURTH 731101)
36	G073190	ELETTROFRENO K04 COMPLETO 24V
37	G073169	MOZZO FRENO K04 D.int=14 x K20
38	G073119	FERODO+DISCO FRENO K04 x K20(TEKNO)
39	S0114027012	PIASTRA FRENO K04 x K20 HURTH/CFR
40	G073241	MOTORE 24V 1000W d.125-2358 VENTIL xK20
41	G073265	KIT SPAZZOLE MOTOR. 24V CFR VENTIL.
42	G095043	O-RING3256 CRC(145DOWTY) 64,77x2,62
43	G011202	CUSCINETTO FQ140/240 RS (4Pt) HURTH
44	G073219	ANELLO MOT.D220x75 (HURT)
44,1	G073322	ANELLO MOT.D220x75 TOPTHANE SCOLP.HURTH
44,2	G073237	ANELLO MOTOR.GOMMA ECOLOGICA(xK20 HURTH)
45	G041714	ROSETTA SHORR C72 M14
46	S0114021018	FLANGIA MOTORIDUTTORE ALL.LAVORATA HURTH
101	G073288	CORPO SCATOLA GRP8 (HURTH661728)
102	G073272	CUSCIN.RULLI CONICI 32005 x DIN720
103	G073270	SPESSORE 40x47x1.3mm (HURTH661793)
104	G073267	SPESSORE 20x26x2.3mm (HURTH661783)
105	G073266	CUSCIN.RULLI CONICI 30204 A DIN 720
106	G032216	GHIERA GUA 16x1.5 (HURTH 005477)
107	G073273	COPPIA CONICA SPIRALE Z=7/37
108	G073275	RONDELLA x GRP8 (HURTH661146)
109	G073274	VITE M12x35 12.9 DURLOCK x GRP8
110	G073280	SPESSORE 50.2x61.8x0.1mm(HURT005464)
111	G073281	CUSCIN.RULLI CONICI 32010 X DIN 720
112	G073282	DISTANZIALE x GRP8 (HURTH661142)
113	G073283	SPESSORE 40x50x0.1 DIN988 (HURTH661775)

English

Français

Deutsch

Español

Governor	Reducteur	Getriebe	Reductor
Brake	Frein	Bremse	Freno
Hub	Moyeu	Nabe	Cubo
Hub	Moyeu	Nabe	Cubo
Plate	Plaque	Platte	Plancha
Electric motor	Moteur électrique	Elektromotor	Motor elettrico
Kit	Kit	Kit	Kit
O-ring	O-ring	O-Ring	Anillo o-ring
Bearing	Roulement	Lager	Cojinete
Driving wheel ring	Bandage roue motri	Ring für Antriebsrad	Anillo motorueda
Driving wheel ring	Bandage roue motri	Ring für Antriebsrad	Anillo motorueda
Driving wheel ring	Bandage roue motri	Ring für Antriebsrad	Anillo motorueda
Ring	Rondelle	Beilagscheibe	Arandela
Flange	Bride	Flansch	Acoplamiento
Container	Cellule	Behälter	Contenedor
Bearing	Roulement	Lager	Cojinete
Shim	Épaisseur	Distanzstück	Espesor
Shim	Épaisseur	Distanzstück	Espesor
Bearing	Roulement	Lager	Cojinete
Plug	Collier de serrage	Nutmutter	Anilla
Couple	Couple	Paar	Pareja
Ring	Rondelle	Beilagscheibe	Arandela
Screw	Vis	Schraube	Tornillo
Shim	Épaisseur	Distanzstück	Espesor
Bearing	Roulement	Lager	Cojinete
Spacer	Entretoise	Distanzstück	Distanciador
Shim	Épaisseur	Distanzstück	Espesor

**K20****TRANSPALLET ELETTRONICO MOD. "K20"**

ELECTRONIC PALLET TRUCK MOD. "K20"

ELEKTRO HUBWAGEN "K20"

TRANSPALETTE ELETTRONICO MOD. "K20"

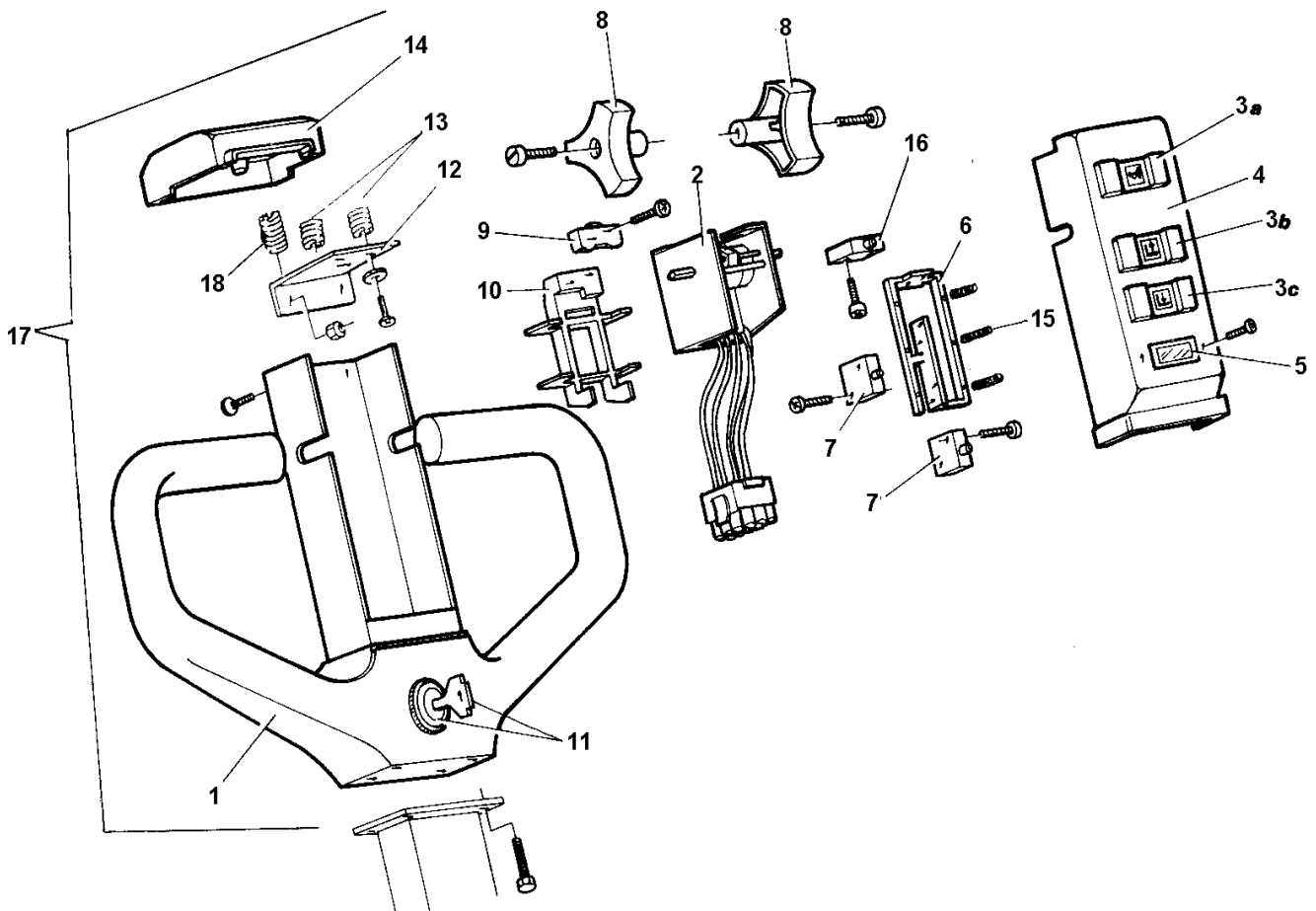
TRANSPALETA ELECTRONICO "K20"

**Riduttore (HURTH DAL 07/96)****Detail: 5.1**

114	G073284	CUSCIN.RULLI CONICI 30208 DIN 720	Bearing	Roulement	Lager	Cojinete
115	G073286	SEEGER SB80 (HURTH106851)	Seeger	Seeger	Seeger-Ring	Seeger
116	G073287	ANELLO TENUTA AS 50-80-8 DIN 3760	Driving wheel ring	Bandage roue motri	Ring für Antriebsrad	Anillo motorueda
117	G073285	ALBERO FLANGIATO GRP8 (HURTH661096)	Shaft	Arbre	Kubelwelle	Mastil
118	G073279	O-RING D.104x3 NBR (HURTH006083)	O-ring	O-ring	O-Ring	Anillo o-ring
119	G073278	COPERCHIO LATERALE SCATOLA GRP8	Cover	Chape	Deckel	Tapa
121	G073271	ROSETTA SCHNORR VS6-PH(HURTH263986)	Ring	Rondelle	Beilagscheibe	Arandela
122	G073276	TAPPO M14x1.5 DIN 908-5.8 PM HURTH	Plug	Bouchon	Verschlußstopfen	Tapa
124	G073277	GUARNIZIONE A14x18 DIN7603-CU	Gasket	Joint	Dichtung	Guarnición
125	G044416	SPINA CILINDRICA D6x25	Pin	Goupille elastique	Federbüchse	Clavija elestica
126	G073263	VALVOLA DI SFIATO (HORTH305658)	Valve	Soupape	Ventil	Valvula
129	G073289	ROSETTA SCHNORR VS8-PH(HURTH299094)	Ring	Rondelle	Beilagscheibe	Arandela
131	G073290	COPERCHIO SCATOLA GRP8(HURTH661729)	Cover	Chape	Deckel	Tapa
201	G073262	CORONA x GRP8 Z=53 (HURTH661014)	Scroll	Couronne	Krone	Corona
202	G073261	PIGNONE x GRP8 Z=14 (HURTH661009)	Pinion	Pignon	Ritzel	Piñon

## Scatola comandi

Detail: 6

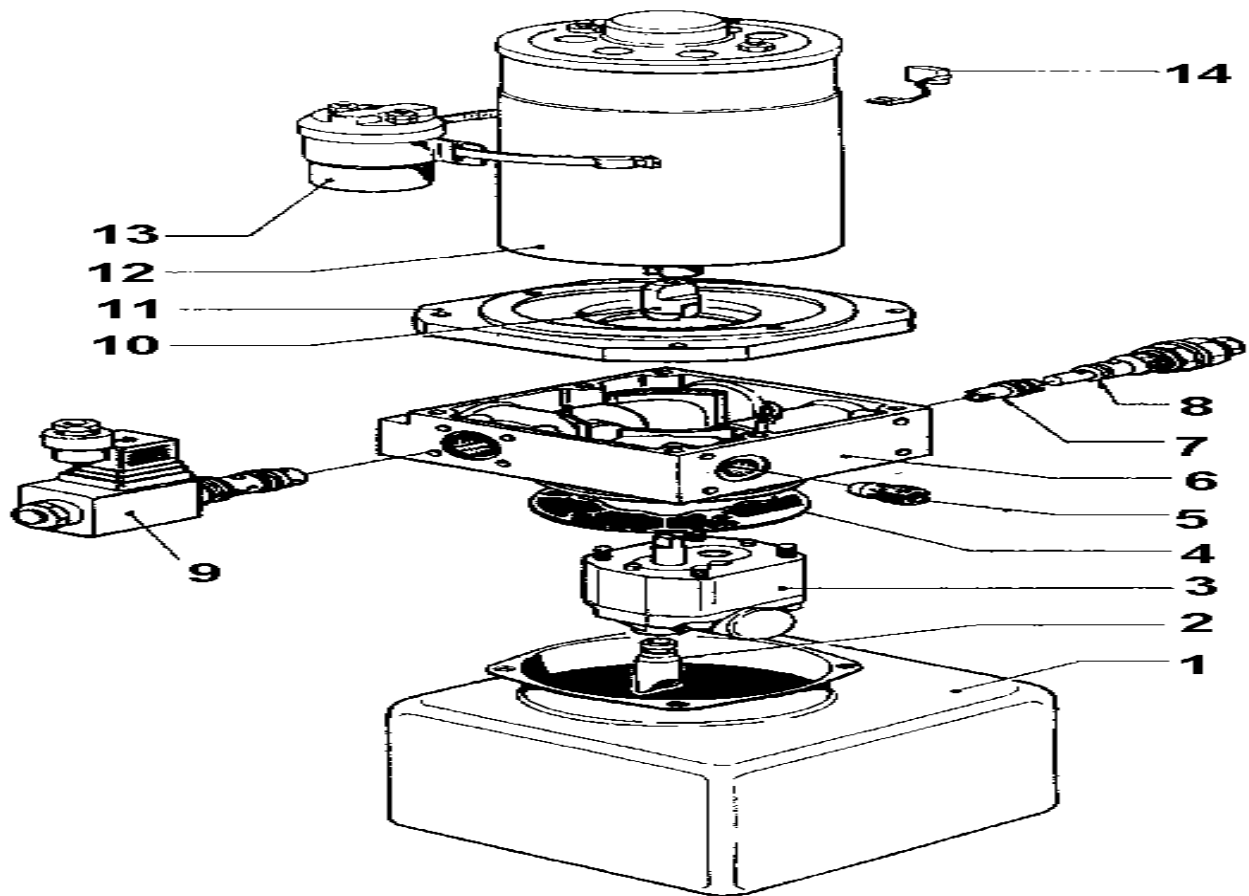


## Ref. Cod.

Ref. Cod.	English	Français	Deutsch	Español	
1 S0304010208	TIMONIERA RICOPERTA (POLY) LK	Rudder	Timon	Deichsel	Timón
2 G077003	ACCELERATORE ET 103 CABLATO TPE-K20	Throttle	Accélérateur	Drehzahlregler	Acelerador
3 S0304018020	PULSANTE TIMONE LK	Push button	Poussoir	Taster	Botón
4 S0114018016	COPERCHIO TIMONE LK x TRANSP.ELETTR	Cover	Chape	Deckel	Tapa
5 G079005	INDICATORE STATO BATTERIA CURTIS	Indicator	Indicateur	Anzeige	Indicator
6 S0304018022	SUPPORTO MICRO TIMONE LK	Support	Support	Halterung	Soporte
7 G075015	MICROINTERRUTTORE V16-1C5R (OMRON)	Microswitch	Microswitch	Mikroschalter	Microswitch
8 S0304018018	FARFALLA TIMONE LK	Port throttle	Papillon	Drosselklappe	Estilo de mariposa
9 G075016	MICROINTERRUTTORE CROUZET 5A 250V	Microswitch	Microswitch	Mikroschalter	Microswitch
10 S0304018021	SUPPORTO POTENZIOMETRO TIMONE LK	Support	Support	Halterung	Soporte
11 G078058	BLOCCETTO CHIAVE RCH (RCH REGHEL)	Key	Clé	Schlüssel	Llave
12 S0304017011	PIASTRINA SUPP.EMERGENZA TIMONE LK	Plate	Plaque	Platte	Plancha
13 G001132	MOLLA De11 FILO1 SPIRE4 L10 MOL/ZN	Spring	Ressort	Feder	Muelle
14 S0304018017	EMERGENZA TIMONE LK	Emergency	Emergence	Nofall	Emergencia
15 G001131	MOLLA De5,6 F0,5 SPIRE10 L20 ZINC.	Spring	Ressort	Feder	Muelle
16 G075017	MICROINTERRUTTORE XG52-J21	Microswitch	Microswitch	Mikroschalter	Microswitch
17 S0114010135	TIMONIERA COMPLETA LK/TRANSP.ELETTR	Rudder	Timon	Deichsel	Timón
18 G001134	MOLLA De12,3 F1 SPIRE9 L=24 ZINCATA	Spring	Ressort	Feder	Muelle

## Centralina idraulica

Detail: 7

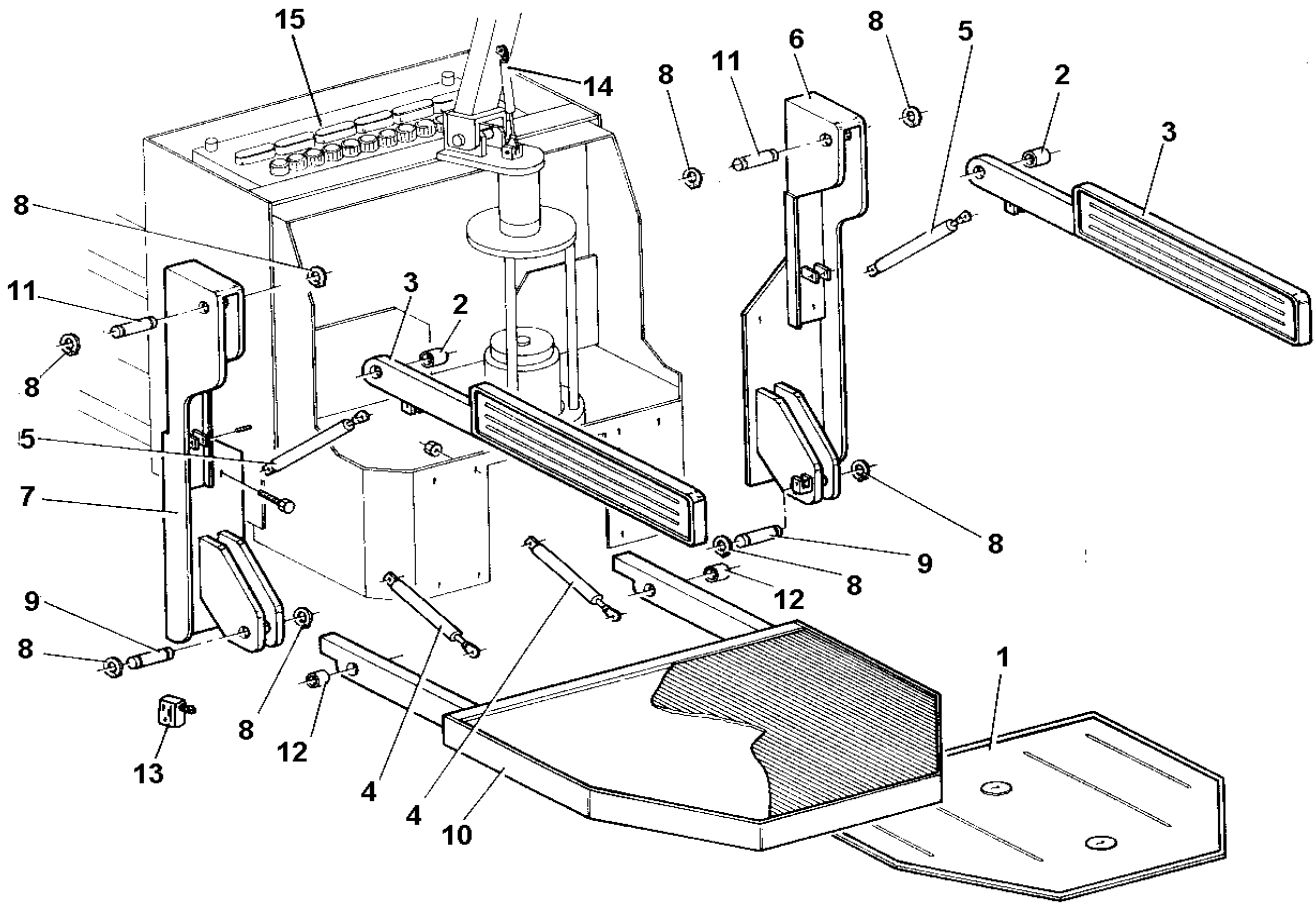


## Ref. Cod.

Ref. Cod.	English	Français	Deutsch	Español	
1 G082148	SERBATOIO LT1,5 VR.RETT.XS022 x k20	Tank	Reservoir	Tank	Deposito
2 G082126	TUBO ASP.L45 L1,5 VR.RETT.785000100	Tube	Tuyau	Rohr	Tubo
3 G082125	POMPA AP0,5/1,6 S.409 X UP50 +COP.	Pump	Pompe	Pumpe	Bomba
4 G082130	FILTRO CONV.OLIO IN SCAR. 657000130	Filter	Filtre	Filter	Filtro
5 G082132	VALVOLA VRC05/4,9 UP50 (787200300)	Valve	Soupape	Ventil	Valvula
6 G082134	CORPO UP50 K04 1/4G (740230010)	Pump	Pompe	Pumpe	Bomba
7 G082131	RITEGNO UP50 (HIDR.787601330)	Check valve	Retenue	Rückhalter	Recambio
8 G082133	VALVOLA MAX VM01 UP50 T.85-210	Valve	Soupape	Ventil	Valvula
9 G082123	ELETTROVALVOLA X CENTRALINA TP/E	Valve	Soupape	Ventil	Valvula
10 G082128	GIUNTO COLL.MOT.ISKRA (659600050)	Joint	Joint	Verbindung	Junta
11 G082129	FLANGIA ACCOP.MOT.T.K/T.E 658100140	Flange	Bride	Flansch	Acoplamiento
12 G082182	* MOTORE CC T109E 24V(HIDR.543924205)	Electric motor	Moteur electrique	Elektromotor	Motor elettrico
13 G082127	RELE'COMPL. 24V CC P.C-E-F-G (EF.)	Relay	Relais	Relais	Relay
14 G082147	KIT SPAZZOLE T.E. 12-24V CC 13809	Kit	Kit	Kit	Kit

## Pedana

Detail: 99



## Ref. Cod.

Ref. Cod.	English	Français	Deutsch	Español	
0 G075218	RELE' 30A 24V N.A.	Relay	Relais	Relais	Relay
1 S0118018012	CARTER PEDANA K20	Guard	Carter	Gehäuseteil	Carter
2 S0004018002	BRONZINA CORPO POMPA GS (20x22x10)	Bronze bearing	Coussinet en bronze	Bronzelager	Buje de bronze
3 S0118018011	BARRIERA PEDANA K20	Support	Support	Halterung	Soporte
4 G001707	* MOLLA GAS 198.355.50 GF2 x PEDANA L-K20	Spring	Ressort	Feder	Muelle
5 G001709	* MOLLA GAS 198.225.30 (PEDANA K20)	Spring	Ressort	Feder	Muelle
6 S0118011026	* SUPPORTO PIATTAFORMA K20 DX (VERN)LUG.98				
7 S0118011027	* SUPPORTO PIATTAFORMA K20 SX (VERN)LUG.98				
8 G042120	SEEGER ESTERNO 3653 E 20	Seeger	Seeger	Seeger-Ring	Seeger
9 S0041015002	PERNO CROCIERA HL10M/PED."L"-K20	Spring	Pivot	Bolzen	Pernio
10 S0118010131	PIATTAFORMA PEDANA K20 VERNICIATA	Support	Support	Halterung	Soporte
11 S0110015036	PERNO ANCORAGGIO BARRIERA PEDANA K20	Spring	Pivot	Bolzen	Pernio
12 G016350	BRONZINA AUTOLUB. 20x28x20	Bronze bearing	Coussinet en bronze	Bronzelager	Buje de bronze
13 G075004	MICROINTERRUTTORE (XG2-S20) xTIMONE L10	Microswitch	Microswitch	Mikroschalter	Microswitch
14 G001705	MOLLA GAS 198.207.30-GF1+CAPSULA VAPSINT	Spring	Ressort	Feder	Muelle
99 G075218	RELE' 30A 24V N.A.	Relay	Relais	Relais	Relay

## Pedana

Detail: 99

\* Modifiche / Updates / Modifications / Änderungen / Modificaciones :

Rev.: 0

20/12/1999

Det.	Ref.	Present Code	Serial N.	Old	New	Interc.	Dat.
1	2	V0110210158-1003		V0114010177-1003	V0110210158-1003	<input checked="" type="checkbox"/>	22/04/1999
1	2	V0110210158-1003		S0114010122	V0114010177-1003	<input type="checkbox"/>	01/09/1996
1	5	G053343		G053331	G053343	<input checked="" type="checkbox"/>	01/01/1999
1	5	G053343		G053318	G053331	<input checked="" type="checkbox"/>	01/11/1996
1	7	G053421		G053410	G053421	<input checked="" type="checkbox"/>	01/11/1996
1	17	S0112010157		S0112010090	S0112010157	<input type="checkbox"/>	15/02/1997
1	26	S0112015038		S0112015024	S0112015038	<input type="checkbox"/>	15/02/1997
1	30	G056392		S0112012029	G056392	<input checked="" type="checkbox"/>	01/03/1997
1	33	S0112011011		S0112010089	S0112011011	<input checked="" type="checkbox"/>	01/11/1996
2	1	S0114020222		G074411	S0114020222	<input type="checkbox"/>	01/09/1996
2	2	S0114010161		S0114010101	S0114010161	<input type="checkbox"/>	01/09/1996
2	10	G001703		G001701	G001703	<input type="checkbox"/>	01/09/1996
5	4	G073198	93	G073107	G073198	<input type="checkbox"/>	07/10/1995
5	11	G073197		G073078	G073197	<input type="checkbox"/>	07/10/1995
7	12	G082182		G082088	G082182	<input checked="" type="checkbox"/>	01/01/2000
99	4	G001707		G001704	G001707	<input checked="" type="checkbox"/>	26/06/1997
99	5	G001709		G001706	G001709	<input checked="" type="checkbox"/>	09/07/1998
99	6	S0118011026		S0118011012	S0118011026	<input type="checkbox"/>	09/07/1997
99	7	S0118011027		S0118011013	S0118011027	<input type="checkbox"/>	09/07/1997