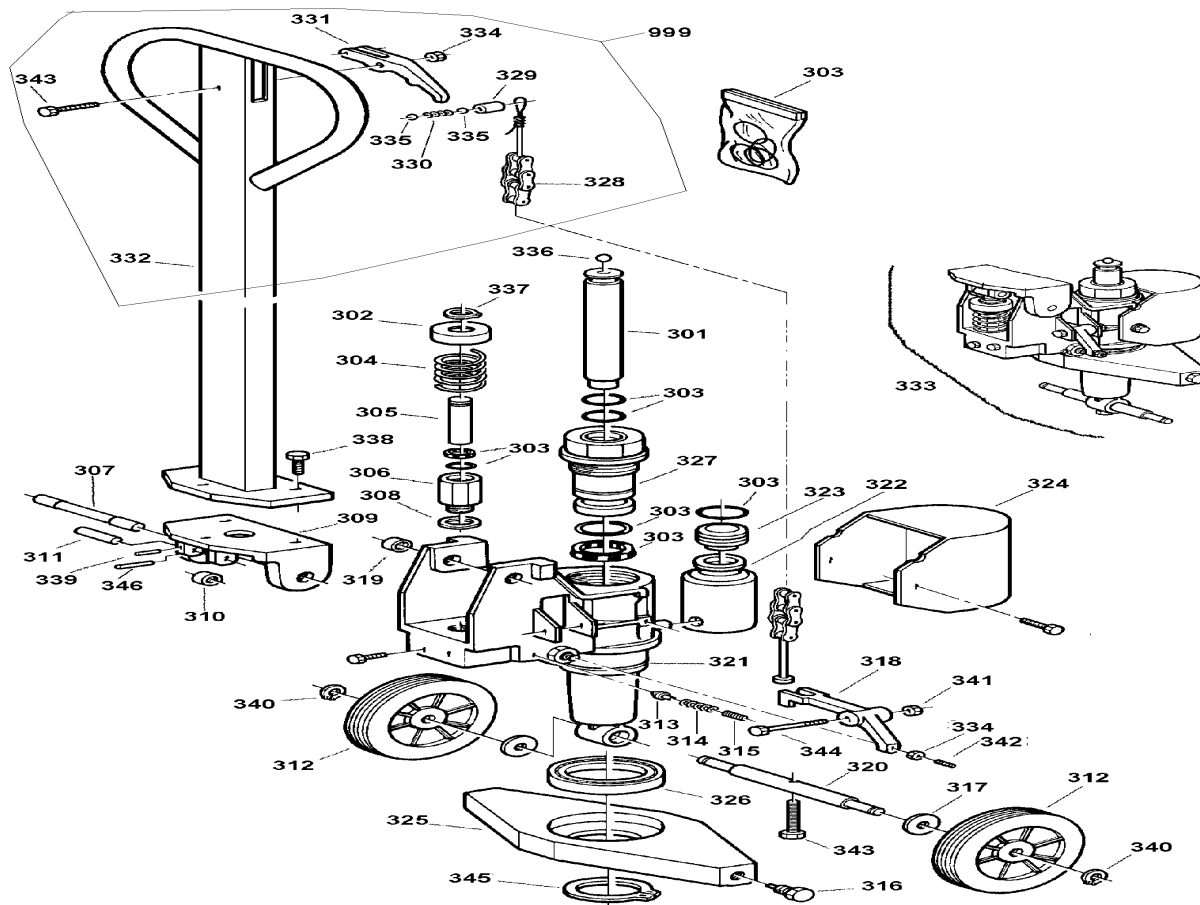


Gruppo comando

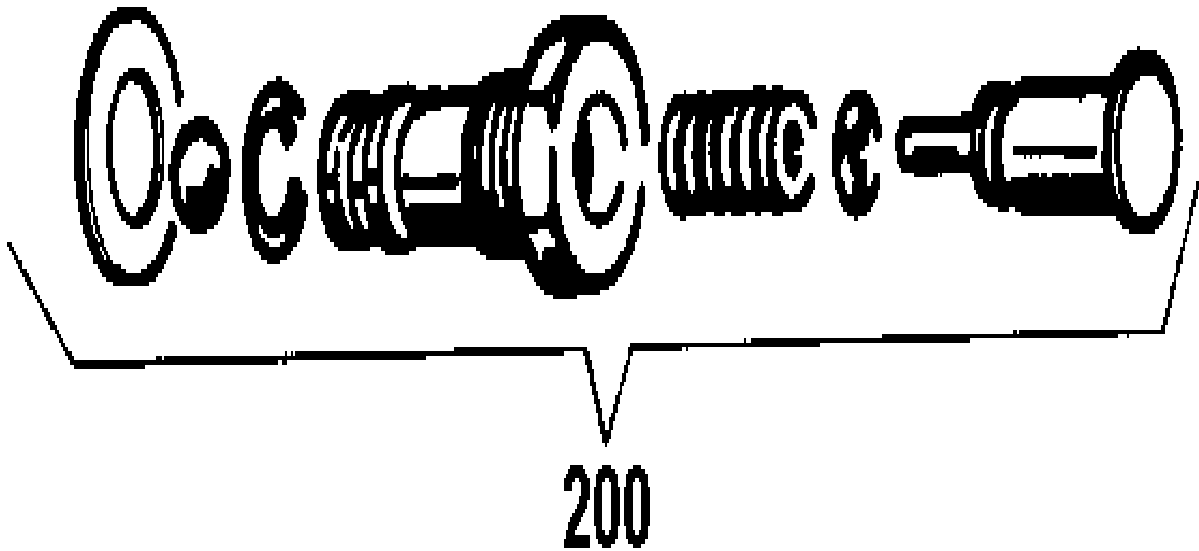
Detail: 1



Ref. Cod	English	Français	Deutsch	Español	
301 S0004013007	PISTONE GS (LAVORATO)	Piston	Piston	Kolben	Pistón
302 G09007	* BICCHIERE GUIDA MOLLA GS/USA	Tumbler	Verre	Muffe	Copa
303 G090001	KIT GUARNIZIONI TP	Kit	Kit	Kit	Kit
304 G001103	MOLLA De42 F.4,5x125 P.15 M-ZN	Spring	Ressort	Feder	Muelle
305 S0004013006	PISTONCINO POMPA GS	Piston	Piston	Kolben	Pistón
306 S0004010470	CILINDRETTO BRUNITO GS-GS/GALV MONTATO	Cylinder	Cylindre	Zylinder	Cilindro
307 S0004013008	PERNO PASSAGGIO CATENA (L.98) BRUN.	Sprig	Pivot	Bolzen	Pernio
308 G096001	RONDELLA RAME 18x23,5x1,5	Ring	Rondelle	Beilaqscheibe	Arandela
309 S0004011012	PONTICELLO GHISA GS LAVORATO	Jumper connection	Liaison	Verbindung	Puente
310 S0004013001	RULLINO POMPAGGIO TP/GS BRUNITO	Roll	Roulean	Rolle	Rodillo
311 S0004013002	PERNO RULLINO POMPAGGIO GS	Sprig	Pivot	Bolzen	Pernio
312 S0002010169	RUOTA GOMMA D200+CUSCINETTI	Drive wheel	Roue	Rad	Rueda
312,1 S0014010233	RUOTA POLY. C/ALL D200x50 LAG+CUSC.6204	Drive wheel	Roue	Rad	Rueda
312,2 S0004010186	RUOTA NYLON D200+CUSCINETTI	Drive wheel	Roue	Rad	Rueda
313 S0004015008	SPILLO VALVOLA MASSIMA GS	Valve	Soupape	Ventil	Valvula
314 G001104	MOLLA De8 F.1,7x22 P.3,5 MOLATA	Spring	Ressort	Feder	Muelle
315 G022501	VITE STEI 5923 14.9 M10x12 ESLOK	Screw	Vis	Schraube	Tornillo
316 S0004015007	VITE CROCIERA ZINCATA GS	Screw	Vis	Schraube	Tornillo
317 G091101	PARAPOLVERE RUOTE TP 47x20 SP3.9 TELLURE	Protection	Protection	Schutz	Protección
318 G01403	PEDALINO RUBINETTO TP/GS	Pedal	Pédale	Fußschalter	Pedal
319 S0004018002	BRONZINA CORPO POMPA GS (20x22x10)	Bronze bearing	Coussinet en bronz	Bronzelaqer	Buje de bronze
320 S0004015015	ASSE RUOTE GS/HL10E	Axle	Axe	Achse	Eje
321 S0004010206	CORPO POMPA GS (RICAMBIO)	Pump	Pompe	Pumpe	Bomba
322 S0004018003	SERBATOIO OLIO TRANSPALLET GS	Tank	Reservoir	Tank	Deposito
323 S0004018001	TAPPO SERBATOIO OLIO TRANSPALLET GS	Plug	Bouchon	Verschlußstopfen	Tapa
324 S0004018005	PROTEZIONE SERBATOIO GS (CORTA)	Protection	Protection	Schutz	Protección
325 S0014011030	* CROCERA GS/CAT LAVORATA	Cross bar	Croix	Gelenkkranz	Cruce
326 G010220	CUSCINETTO 6012 RS(60-95-18)	Bearing	Roulement	Laqer	Cojinete

Gruppo comando**Detail: 1**

327	S0004011024	BOCCOLA GHISA GS (LAVORATA)	Bushing	Fourreau	Hülse	Tuerca
328	S0004010235	TIRANTE COMPLETO MANIGLIA GS	Tension rod	Tirant	Zugstange	Tirante
329	S0004036022	DISTANZIALE LEVA DISCESA GS	Spacer	Entretoise	Distanzstück	Distanciador
330	G001126	MOLLA LEVA DISCESA GS	Spring	Ressort	Feder	Muelle
331	S0004018006	LEVA DISCESA TRANSPALLET GS	Lever	Levier	Hebel	Palanca
332	S0004030215	MANIGLIA POMPAGGIO GS (VERNICIATA)	Handle	Poignée	Griff	Manilla
333	S0004010205	S.GRUPPO IDRAULICO GS 2000Kg	Hydraulic group	Groupe hydraulique	Hydraulikeinheit	Grupo hidraulico
333,1	S0004010444	S.GRUPPO IDRAULICO GS/PLUS 2500Kg	Hydraulic group	Groupe hydraulique	Hydraulikeinheit	Grupo hidraulico
333,2	S0004010493	S.GRUPPO IDRAULICO GS 1600Kg	Hydraulic group	Groupe hydraulique	Hydraulikeinheit	Grupo hidraulico
334	G032301	DADO NORMALE 5588 65 CL8 M 6 ZN	Nut	Dés	Mutter	Tuerca
335	G016104	SFERA 5/16" (mm7,938)	Ball	Bille	Kugel	Esfera
336	G016103	SFERA 9/16" (mm14,288) SFERA 2	Ball	Bille	Kugel	Esfera
337	G042501	ANELLO ARRESTO RS 7434 D10	Ring	Baque	Ring	Anillo
338	G022112	VITE TCEI 5931-67 8.8 M8x20 ZN	Screw	Vis	Schraube	Tornillo
339	G044319	SPINA ELASTICA SPIROL 8748 D4x30	Pin	Goupille elastique	Federbüchse	Clavija elastica
340	G042120	SEEQER ESTERNO 3653 E 20	Seeqer	Seeqer	Seeqer-Ring	Seeqer
341	G034401	DADO BASSO AUTOBL. 7474 M 8 ZN	Nut	Dés	Mutter	Tuerca
342	G023102	VITE STEI 5923 INOX M6x25	Screw	Vis	Schraube	Tornillo
343	G022006	VITE TE 5739 65 8.8 M6x35 ZN	Screw	Vis	Schraube	Tornillo
344	G022220	VITE TE 5737 65 8.8 M8x50 ZN	Screw	Vis	Schraube	Tornillo
345	G042160	SEEQER ESTERNO 3653 E 60	Seeqer	Seeqer	Seeqer-Ring	Seeqer
346	G044318	SPINA ELASTICA SPIROL 8748 D4x40	Pin	Goupille elastique	Federbüchse	Clavija elastica
999	S0004030243	MANIGLIA POMPAGGIO COMPLETA GS	Handle	Poignée	Griff	Manilla

Valvola di aspirazione completa**Detail: 2****Ref. Cod.**

200 S0004010035

RUBINETTO ASPIRAZIONE COMPLETO GS

English

Valve

Français

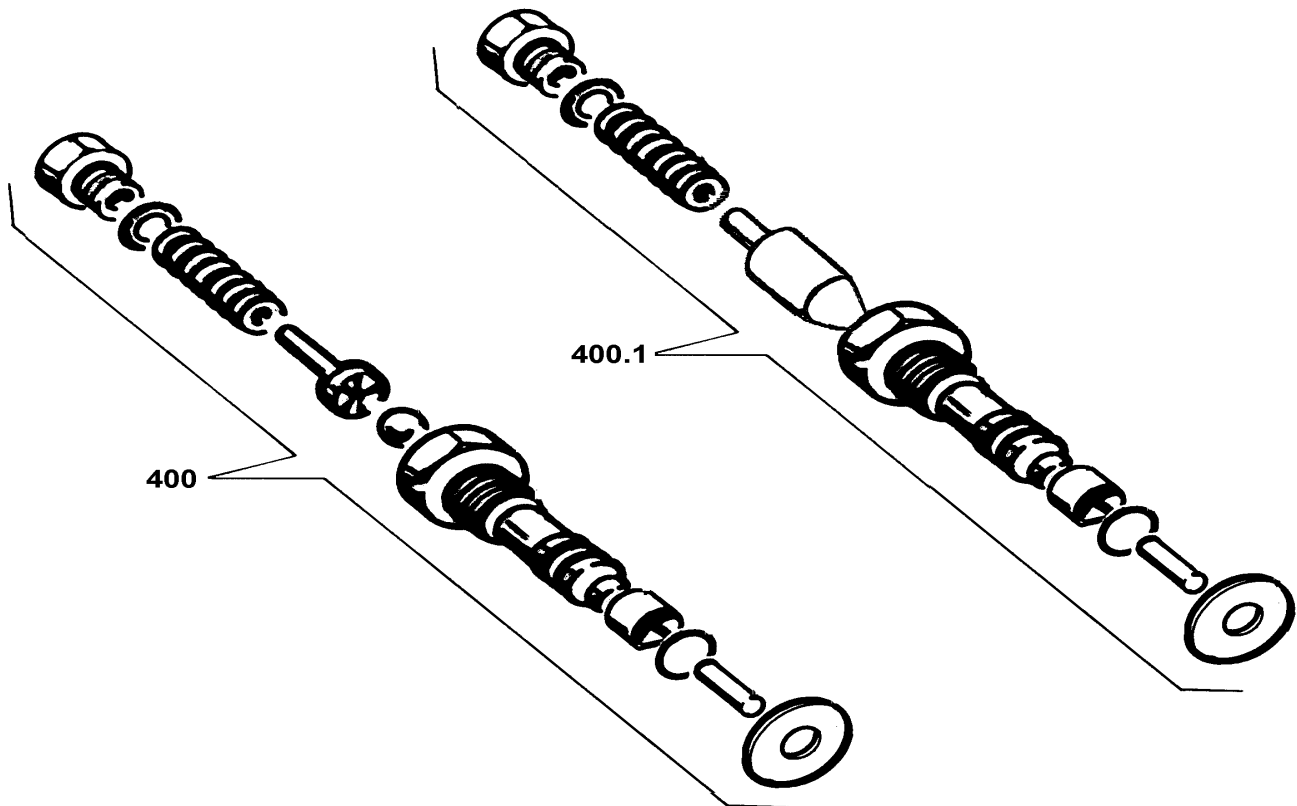
Soupape

Deutsch

Ventil

Español

Valvula

Valvola di pressione completa**Detail: 3****Ref. Cod.**

400 S0004010036
 400.01 S0004010066

RUBINETTO TENUTA COMPLETO GS
 RUBINETTO TENUTA COMPLETO GS 25q 2VELOC.

English

Valve
 Valve

Français

Soupape
 Soupape

Deutsch

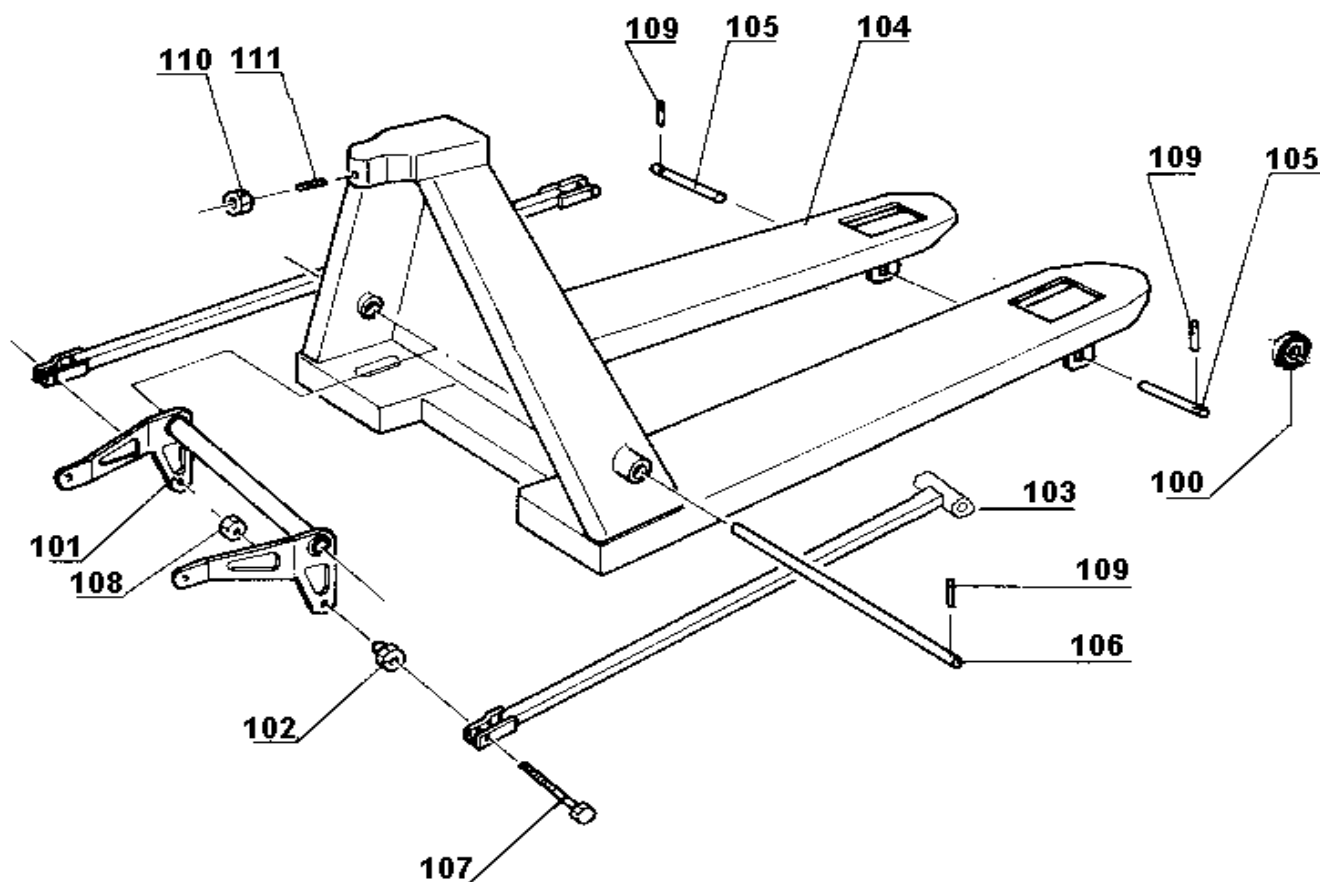
Ventil
 Ventil

Español

Valvula
 Valvula

Telaio

Detail: 4



Ref. Cod.

Ref. Cod.	English	Français	Deutsch	Español	
100 G056103	RULLINO AVVIO FORCA TP/E-GS	Roll	Roulean	Rolle	Rodillo
101 S0003020146	BILANCIERE GS VERNICIATO L=520	Rocker arm	Balancier	Kipphebel	Balancin
101,01 S0013020154	BILANCIERE GS/MINI L=400 VERNICIATO	Rocker arm	Balancier	Kipphebel	Balancin
102 S0003015006	ECCENTRICO BIELLE GS ZINCATO	Eccentric-wiper	Excentrique	Exzenter	Excentrica
103 S0002050170	BIELLA GS 800 VERNICIATA	Connecting rod	Bielle	Pleuelstange	Biela
103,01 S0002090171	BIELLA GS 950 VERNICIATA	Connecting rod	Bielle	Pleuelstange	Biela
103,02 S0002205296	BIELLA GS 1150 25q VERNICIATA	Connecting rod	Bielle	Pleuelstange	Biela
103,03 S0002130103	BIELLA GS 1350 VERNICIATA (COD.EX DX)	Connecting rod	Bielle	Pleuelstange	Biela
103,04 S0002170107	BIELLA GS 1500 VERNICIATA (COD.EX DX)	Connecting rod	Bielle	Pleuelstange	Biela
103,05 S0002210111	BIELLA GS 1800 VERNICIATA (COD.EX DX)	Connecting rod	Bielle	Pleuelstange	Biela
103,06 S0002250115	BIELLA GS 2000 VERNICIATA (COD.EX DX)	Connecting rod	Bielle	Pleuelstange	Biela
103,07 S0002350242	BIELLA GS 1000 VERNICIATA	Connecting rod	Bielle	Pleuelstange	Biela
103,08 S0002350351	BIELLA GS 1220 VERNICIATA	Connecting rod	Bielle	Pleuelstange	Biela
104 V0001010210-10	TELAIO GS 800x525 VERNIC.GIALLO RAL1003	Chassis	Chassis	Rahmen	Chasis
104,01 V0001010411-10	TELAIO GS/RA 800x525 VERNIC.GIALLO 1003	Chassis	Chassis	Rahmen	Chasis
104,02 V0001010219-10	TELAIO GS 950x525 VERNIC.GIALLO RAL1003	Chassis	Chassis	Rahmen	Chasis
104,03 V0001010450-10	TELAIO GS/RA 950x525 VERNIC.GIALLO 1003	Chassis	Chassis	Rahmen	Chasis
104,04 V0001010208-10	TELAIO GS 1150x525 VERNIC.GIALLO RAL1003	Chassis	Chassis	Rahmen	Chasis
104,05 V0001010304-10	TELAIO GS/RA 1150x525 VERNIC.GIALLO 1003	Chassis	Chassis	Rahmen	Chasis
104,06 V0001010221-10	TELAIO GS 1350x525 VERNIC.GIALLO RAL1003	Chassis	Chassis	Rahmen	Chasis
104,07 V0001010223-10	TELAIO GS 1500x525 VERNIC.GIALLO RAL1003	Chassis	Chassis	Rahmen	Chasis
104,08 V0001010225-10	TELAIO GS 1800x525 VERNIC.GIALLO RAL1003	Chassis	Chassis	Rahmen	Chasis
104,09 V0001010227-10	TELAIO GS 2000x525 VERNIC.GIALLO RAL1003	Chassis	Chassis	Rahmen	Chasis
104,1 V0001010351-10	TELAIO GS 1000x525 VERNIC.GIALLO RAL1003	Chassis	Chassis	Rahmen	Chasis
104,11 V0001010353-10	TELAIO GS 1220x525 VERNIC.GIALLO RAL1003	Chassis	Chassis	Rahmen	Chasis
104,12 V0011010198-10	TELAIO GS/MINI 800x400 VERN.GIALLO 1003	Chassis	Chassis	Rahmen	Chasis
105 S0002205040	PERNO RIFERIMENTO GS	Sprig	Pivot	Bolzen	Pernio
106 S0003015038	ASSE BILANCIERE GS 520	Axle	Axe	Achse	Eje

HAND PALLET TRUCK "GS"

HUBWAGEN "GS"

TRANSPALETTE MANUEL "GS"

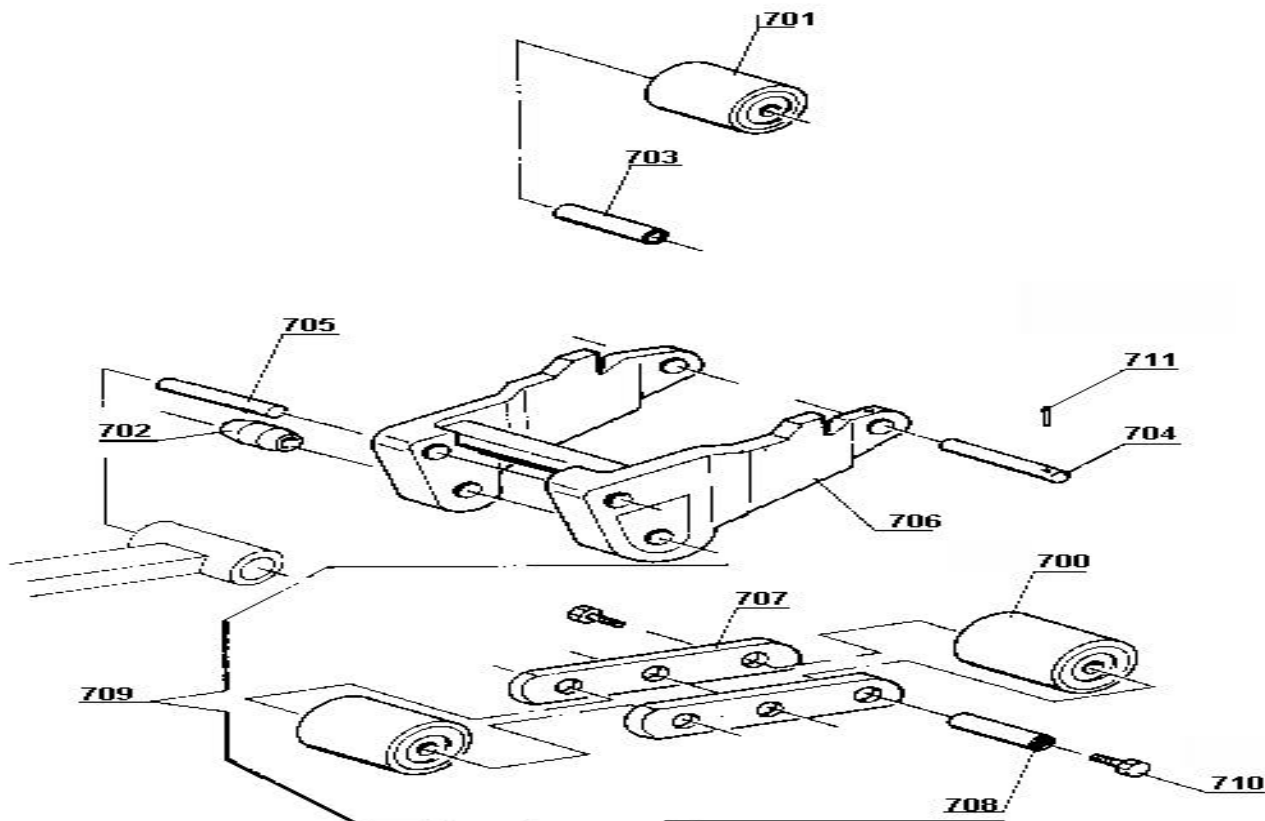
TRANSPALETA MANUAL "GS"

Telaio**Detail: 4**

106,01	S0013015001	ASSE BILANCIERE GS/MINI 400	Axle	Axe	Achse	Eje
107	G020501	VITE TE 5737 10.9 M12x45 ZN	Screw	Vis	Schraube	Tornillo
108	G032312	DADO ALTO 5587 88 CL10 M12 ZN	Nut	Dés	Mutter	Tuerca
109	G044341	SPINA ELASTICA SPIROL 8748 D6x32	Pin	Goupille elastique	Federbüchse	Clavija elastica
110	G032308	DADO NORMALE 5588 65 CL8 M 8 ZN	Nut	Dés	Mutter	Tuerca
111	G022307	VITE STEI 5925 12.9 M8x20 ZN	Screw	Vis	Schraube	Tornillo

Rullo portante

Detail: 5



Ref. Cod.	English	Français	Deutsch	Español	
700 S0002010132	RULLO CON CUSCINETTI NYLON D82X60	Roll	Roulean	Rolle	Rodillo
700,01 S0012050170	RULLO POLY.I D82x60+CUSCINETTI	Roll	Roulean	Rolle	Rodillo
701 S0002010131	RULLO CON CUSCINETTI NYLON D82X82	Roll	Roulean	Rolle	Rodillo
701,01 S0002010178	RULLO POLY.I D82x82+CUSCINETTI	Roll	Roulean	Rolle	Rodillo
702 G056104	RULLO AVVIO SCARPETTA GS NYLON D38	Roll	Roulean	Rolle	Rodillo
703 S0002206023	DISTANZIALE RULLO SINGOLO GS	Spacer	Entretoise	Distanzstück	Distanciador
704 S0002205039	PERNO ATTACCO TANDEM GS	Sprig	Pivot	Bolzen	Pernio
705 S0002205038	PERNO D16x113 GS	Sprig	Pivot	Bolzen	Pernio
706 S0002201027	SCARPETTA DOPPIA GS (LAVORATA)	Shoe	Fourche	Schuh	Zapata
707 S0012011025	PORTARULLI TANDEM GS (VERNICIATO)	Roller guide	Porte rouleau	Rollenträger	Portarulo
708 S0012035029	DISTANZIALE RULLO TANDEM GS	Spacer	Entretoise	Distanzstück	Distanciador
709 S0012030177	TANDEM COMPLETO RULLI NYLON GS	Roller guide	Porte rouleau	Rollenträger	Portarulo
709,1 S0012030178	TANDEM COMPLETO RULLI POLY GS	Roller guide	Porte rouleau	Rollenträger	Portarulo
710 G020222	VITE TE 5739 65 8.8 M12x25	Screw	Vis	Schraube	Tornillo
711 G044319	SPINA ELASTICA SPIROL 8748 D4x30	Pin	Goupille elastique	Federbüchse	Clavija elastica

GS

TRANSPALLET MANUALE MOD. "GS"

HAND PALLET TRUCK "GS"

HUBWAGEN "GS"

TRANSPALETTE MANUEL "GS"

TRANSPALETA MANUAL "GS"

Rullo portante

Detail: 5

* Modifiche / Updates / Modifications / Änderungen / Modificaciones :

Rev.:

2

06/03/00

Det. Ref.	Present Code	Serial N.	Old	New	Interc.	Dat.	
1	302	G09007	G09019	G09007		<input checked="" type="checkbox"/>	01/03/00
1	325	S0014011030	S0004011026	S0014011030		<input checked="" type="checkbox"/>	20/07/98