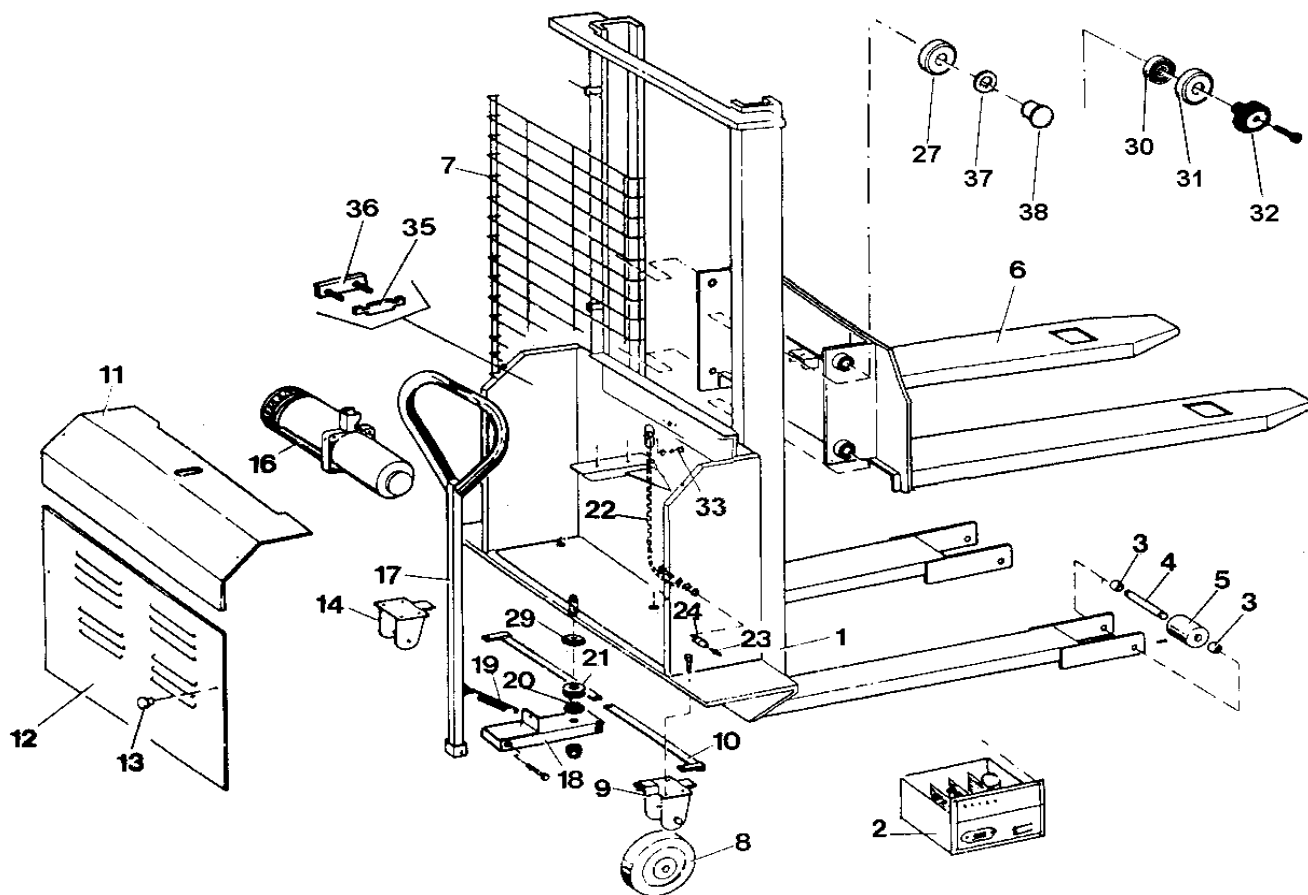


Telaio

Detail: 1



Ref. Cod.	English	Français	Deutsch	Español	
0 S0208020045	CABLAGGIO ELETTRICO TMC	Electric wiring	Cable électrique	Elektrische Verkabelung	Cable elettrico
1 V0201030000-10	TELAIO TMC 10/16 VERN.GIALLO RAL 1003	Chassis	Chassis	Rahmen	Chasis
1,1 V0201040049-10	TELAIO TMC 10/20 VERN.GIALLO RAL 1003	Chassis	Chassis	Rahmen	Chasis
1,2 V0201050051-10	TELAIO TMC 10/25 VERNIC.GIALLO RAL 1003	Chassis	Chassis	Rahmen	Chasis
1,3 V0201030061-10	TELAIO TMC 10/09 VERNIC.GIALLO RAL 1003	Chassis	Chassis	Rahmen	Chasis
2 G099300038	RADDRIZZATORE A GIORNO 15A-12V(TMC10/16)	Charger	Chargeur	Ladegerät	Carqador
2,1 G099300048	RADDRIZZ.A GIORNO 15A-12V(TMC10/16)240V	Charger	Chargeur	Ladegerät	Carqador
2,2 G099300040	RADDRIZZATORE A GIORNO 20A-12V(TMC10/25)	Charger	Chargeur	Ladegerät	Carqador
2,3 G099300049	RADDRIZZ. A GIORNO 20A-12V(TMC10/25)240V	Charger	Chargeur	Ladegerät	Carqador
3 S0302016026	DISTANZIALE RULLO SINGOLO TE-TM ZINC	Spacer	Entretoise	Distanzstück	Distanciador
4 S0302015025	PERNO SCARPETTA TE/TM/L10 (BRUNITO)	Sprig	Pivot	Bolzen	Pernio
5 S0202020029	RULLO CON CUSCINETTI NYLON D82x70	Roll	Roulean	Rolle	Rodillo
6 S0207010034	FORCA COMPLETA VERNICIATA TMC10/16-20	Fork	Fourche	Gabel	Horca
6,1 S0307050209	FORCA COMPL. MONTATA TE-TM-L-G10/29	Fork	Fourche	Gabel	Horca
7 S0300032028	RETE PROTEZIONE h950 PLAST. TE-TM	Net	Filet	Netz	Red
7,1 S0300022021	RETE PROTEZIONE h1120 PLAST. TE-TM	Net	Filet	Netz	Red
7,2 S0300012020	RETE PROTEZIONE h795 PLAST. TE-TM	Net	Filet	Netz	Red
7,3 S0200038004	VETRO PROTEZIONE TMC 10/09	Glass	Verre	Glas	Vidrio
8 S0002010169	RUOTA GOMMA D200+CUSCINETTI	Drive wheel	Roue	Rad	Rueda
9 G053401	SUPP. GIR. PES. DS.D200+FRENO S0362550L	Support	Support	Halterung	Soporte
10 S0202010054	BRACCETTO COMPL. X STERZO TM/TMC	Arm	Bras	Arm	Brazo
11 S0200019002	PARTE SUPER.COPER.COFANO VERN. L600	Cowl	Capot	Haube	Capó
12 S0200019003	PARTE INF.COP.COF.VERN. L.600 H.600	Cowl	Capot	Haube	Capó
13 G058002	VOLANTINO LOBI D40 M8x20 MASCHIO	Screw	Vis	Schraube	Tornillo
14 G053402	SUPPORTO GIREVOLE PESANTE SX D200	Support	Support	Halterung	Soporte
16 G081016	* CENTR.223342017 UP100 (NEW x TMC)	Triquer box	Groupe hydraulique	Steuerung	Caixa eletrica
17 S0204020037	TIMONE VERNICIATO TMC	Rudder	Timon	Deichsel	Timón
18 S0202010056	STERZO x TM29/TMC VERNICIATO (NEW)	Steering	Direction	Lenkung	Volante

STACKER "TMC"

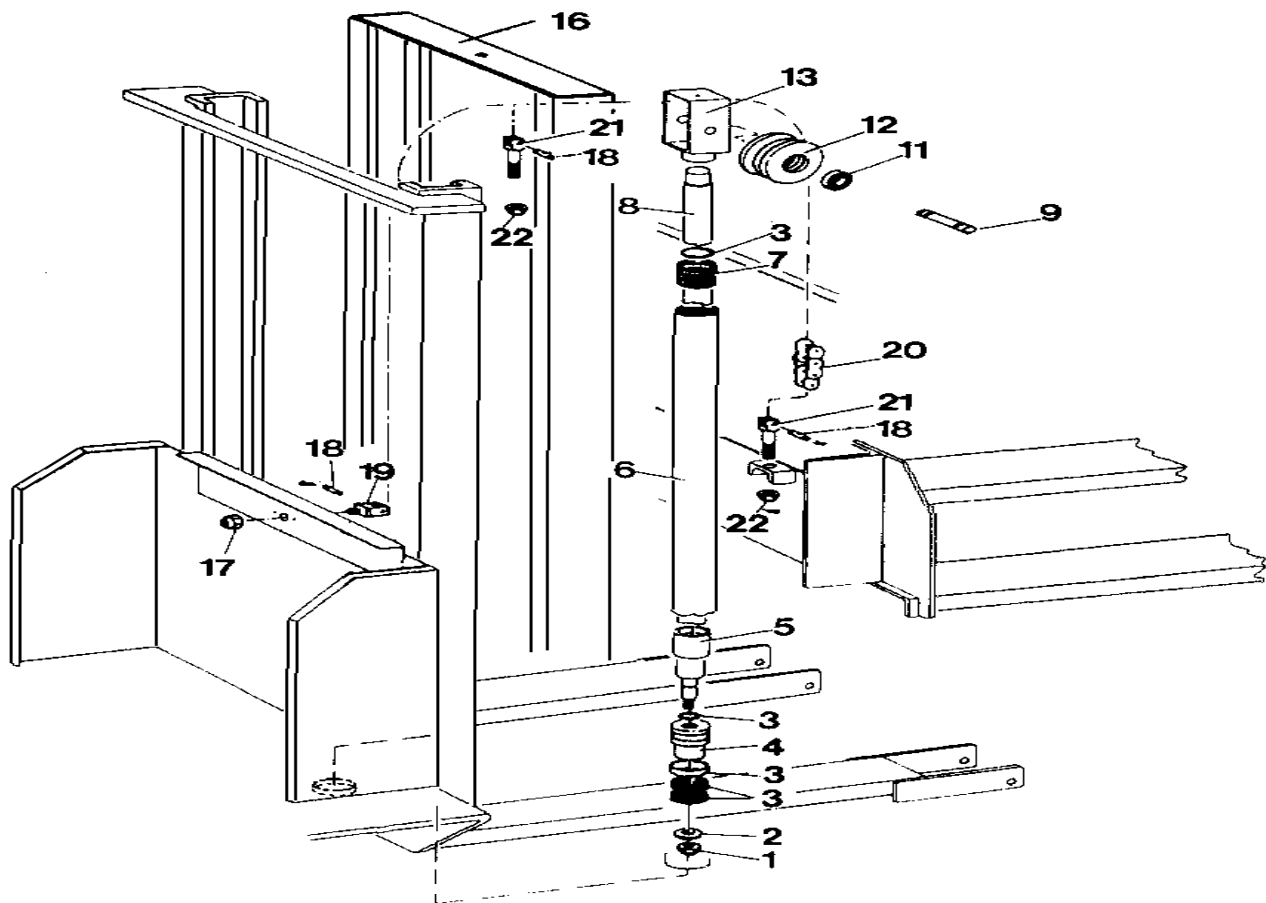
ELEKTRO STAPLER "TMC"

GERBEUR "TMC"

CARRETILLA ELEVADORA "TMC"

Telaio**Detail: 1**

19	G001109	MOLLA TRAZIONE P.49 GANCI A 90 GR.	Spring	Ressort	Feder	Muelle
20	S0204025010	SPINGIDISCO INFERIORE TMC	Seeger	Seeger	Seeger-Ring	Seeger
21	S0202010031	CUSCINETTO COMPLETO STERZO TM	Bearing	Roulement	Lager	Cojinete
22	G083001	TUBO R1T 3/8"OCCHIO 3/8"-3/8"L=1050	Tube	Tuyau	Rohr	Tubo
23	G084103	NYPLE M/M 3/8"	Nipple	Raccord	Nippel	Racor
24	G085003	VALVOLA REGOLAZIONE FLUSSO 3/8"	Valve	Soupape	Ventil	Valvula
27	G019306	* CUSCINETTO A SFERE D70 (CSF.002)	Bearing	Roulement	Lager	Cojinete
29	S0204025028	SPINGIDISCO SUPERIORE TMC	Seeger	Seeger	Seeger-Ring	Seeger
30	G010151	CUSCINETTO 6305 (25-62-17)	Bearing	Roulement	Lager	Cojinete
31	S0207018001	RULLO GUIDA FORCA TMC 10/16	Roll	Roulean	Rolle	Rodillo
32	S0207016006	ROTELLA SCORRIMENTO FORCA TMC 10/16	Ring	Rondelle	Beilagscheibe	Arandela
33	G084001	VITE FORO 3/8" ESAG. 22	Screw	Vis	Schraube	Tornillo
35	G077540	FUSIBILE 160A (RFM REGHEL)	Fuse	Fusible	Schmelzsicherung	Fusible
36	G070603	PORTAFUSIBILE x FUSIBILE 160Amp	Fuse	Fusible	Schmelzsicherung	Fusible
37	G019310	DISCHETTO DI CONTRASTO (10004.102)	Disc	Disque	Scheibe	Disco
38	G019309	PATTINO DI GUIDA LATERALE (10002.102)	Sliding block	Block de glissement	Gleitschuh	Patin



Ref. Cod.	English	Français	Deutsch	Español	
1 G034416	DADO BASSO AUTOBL. 7474 M16 ZN	Nut	Dés	Mutter	Tuerca
1,1 G034302	DADO AUTOBL. 7473 M24 ZN	Nut	Dés	Mutter	Tuerca
2 G041217	ROSETTA PIANA 6592 D16	Ring	Rondelle	Beilaqscheibe	Arandela
2,1 G041905	ROSETTA PIANA 6592 D27 ZN	Ring	Rondelle	Beilaqscheibe	Arandela
3 G090015	KIT GUARNIZIONI TMC16/20	Kit	Kit	Kit	Kit
3,1 G090005	KIT GUARNIZIONI TE-TM 10-12	Kit	Kit	Kit	Kit
4 S0306061009	PISTONE CILINDRO TMC 10/16-20	Piston	Piston	Kolben	Pistón
4,1 S0306041008	PISTONE CILINDRO TE/TM 10-12/29-36	Piston	Piston	Kolben	Pistón
5 S0206016008	DISTANZIALE CILINDRO L.35 TE-TM	Spacer	Entretoise	Distanzstück	Distanciador
5,1 S0306056017	DISTANZIALE CILINDRO L.105 TE-TM	Spacer	Entretoise	Distanzstück	Distanciador
6 S0206010063	* CILINDRO G-TMC 10/16 VERNICIATO	Cylinder	Cylindre	Zylinder	Cilindro
6,1 S0206010052	* CILINDRO TMC 10/20 VERNICIATO "OLD"	Cylinder	Cylindre	Zylinder	Cilindro
6,2 S0206010068	* CILINDRO TMC 10/25 VERNICIATO "NEW"	Cylinder	Cylindre	Zylinder	Cilindro
6,3 S0206010062	CILINDRO TMC 10/09 VERNICIATO	Cylinder	Cylindre	Zylinder	Cilindro
7 S0206011001	BOCCOLA CILINDRO TMC 10/16-20	Bushing	Fourreau	Hülse	Tuerca
7,1 S0306041004	GHIERA CILINDRO TE/TM 10-12/29-36	Plug	Collier de serrage	Nutmutter	Anilla
8 S0306063020	STELO CILINDRO TMC-G h1600	Stem	Tige	Stange	Vástago
8,1 S0206013001	STELO CILINDRO TMC 10/20	Stem	Tige	Stange	Vástago
8,2 S0206013003	STELO CILINDRO TMC 10/25	Stem	Tige	Stange	Vástago
8,3 S0306063049	STELO CILINDRO TMC 10/09	Stem	Tige	Stange	Vástago
9 S0306055043	PERNO x PORTAPULEGGIA IN GHISA	Sprig	Pivot	Bolzen	Pernio
11 G010401	* CUSCINETTO 6204 2RS (20-47-14)	Bearing	Roulement	Lager	Cojinete
12 S0306051019	PULEGGIA CUSC.DOPPIO VERN.(P.GHISA)	Pulley	Poulie	Scheibe	Polea
13 S0306051022	PORTAPULEGGIA GHISA TE-TM-L VERNIC.	Pulley	Poulie	Scheibe	Polea
16 S0205010109	SECONDO STADIO h=2500 10-12q COMPLETO	Second pillar	Mat interieur	Zweite Stufe	Segundo estadio
17 G034403	DADO BASSO AUTOBL. 7474 M18 ZN	Nut	Dés	Mutter	Tuerca
18 G062104	PERNO CATENA FLAYER BL544 D6x29	Sprig	Pivot	Bolzen	Pernio
19 S0307015015	PETTINE CORTO TE-TM-L/VT ZINCATO	Jumper connection	Liaison	Verbindung	Puente

STACKER "TMC"

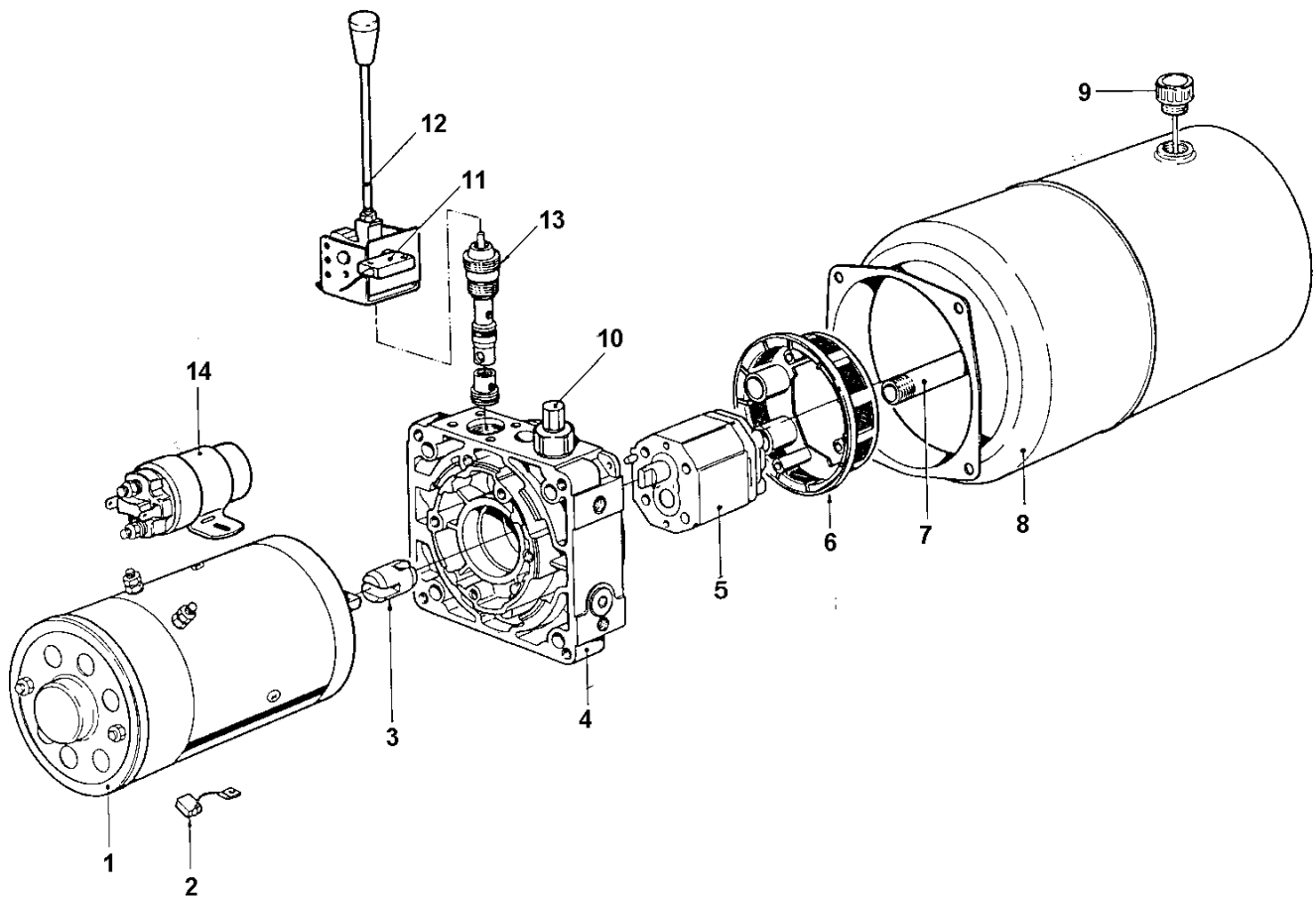
ELEKTRO STAPLER "TMC"

GERBEUR "TMC"

CARRETILLA ELEVADORA "TMC"

Cilindro di alzata**Detail: 2**

20	G062005	SPEZZONE CATENA FLAYER BL534-81P	Chain	Chaîne	Kette	Cadena
20,1	G062011	SPEZZONE CATENA FLAYER BL534-107P	Chain	Chaîne	Kette	Cadena
20,2	G062017	SPEZZONE CATENA FLAYER BL534-103P	Chain	Chaîne	Kette	Cadena
20,3	G062016	SPEZZONE CATENA FLAYER BL534-49P	Chain	Chaîne	Kette	Cadena
21	S0307015017	PETTINE LUNGO TE-TM-L-L/VT ZINCATO	Jumper connection	Liaison	Verbindung	Puente
22	G032304	DADO NORMALE 5588 65 CL8 M14 ZN	Nut	Dés	Mutter	Tuerca



Ref. Cod.

1	G082122	MOTORE CC T107E 12V 2KW 36806
2	G082147	KIT SPAZZOLE T.E. 12-24V CC 13809
3	G082093	GIUNTO TRASC. E45 M.C.C. 1500W 12V
4	G082097	CORPO UP10 K149 3/8"G. AP100
5	G082092	POMPA AP100/2,5 S.409 (748230030)
6	G082090	FILTRO CONV.150 MICRON (757500070)
7	G082115	GRUPPO ASPIR.SERB.LT5 OR.759900190
8	G082094	SERBATOIO L.5 OR. UP10 (772440010)
9	G082116	TAPPO SFIATO 3/8"G. L81 (678000370)
10	G082107	VALVOLA MAX VM01 HDM10 T.95-210
11	G082118	MICRO Z15QGB7 15A 250V (544124009)
12	G082102	LEVA L10-L16-L17-L18-L19(760722210)
13	G082114	VALVOLA Z04-SCAR. X COMANDO MANUALE
14	G082180	* RELE' AVVIAMENTO CC12v (544134104)

English

Electric motor
Kit
Joint
Pump
Pump
Filter
Suction filter unit
Tank
Plug
Valve
Microswitch
Lever
Valve
Relay

Français

Moteur électrique
Kit
Joint
Pompe
Pompe
Filtre
Groupe aspiration
Reservoir
Bouchon
Soupape
Microswitch
Lever
Soupape
Relais

Deutsch

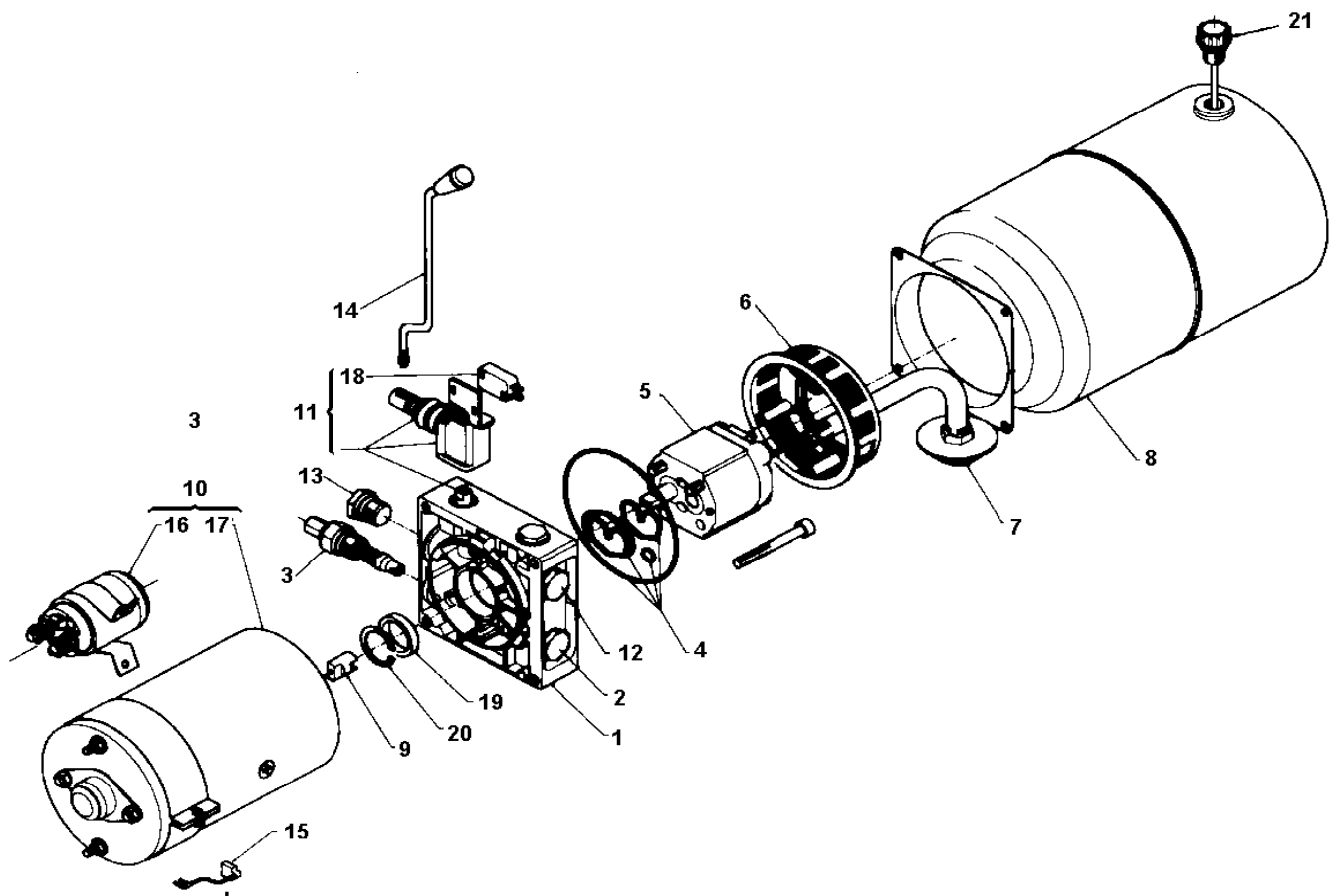
Elektromotor
Kit
Verbindung
Pumpe
Pumpe
Filter
Ansaugeinheit
Tank
Verschlußstopfen
Ventil
Mikroschalter
Hebel
Ventil
Relais

Español

Motor eléctrico
Kit
Junta
Bomba
Bomba
Filtro
Grupo aspiración
Deposito
Tapa
Valvula
Microswitch
Palanca
Valvula
Relay

Centralina idraulica (UP100 dal 06/96)

Detail: 3.2



Ref. Cod.	English	Français	Deutsch	Español	
1 G082167	CORPO UP100 K1G3-01(HIDR.640430331)	Pump	Pompe	Pumpe	Bomba
2 G082171	VALVOLA RITEGNO RS3/817-03	Valve	Soupape	Ventil	Valvula
3 G082107	VALVOLA MAX VM01 HDM10 T.95-210	Valve	Soupape	Ventil	Valvula
4 G082165	KIT GUARNIZIONI CORPO UP100	Kit	Kit	Kit	Kit
5 G082168	POMPA AP100/2.5 S.409+COP.748230030	Pump	Pompe	Pumpe	Bomba
6 G082090	FILTRO CONV.150 MICRON (757500070)	Filter	Filtre	Filter	Filtro
7 G082170	GRUPPO ASPIRAZIONE H=80- 250M. 90°	Suction filter unit	Groupe aspiration	Ansaugeinheit	Grupo aspiración
8 G082094	SERBATOIO L.5 OR. UP10 (772440010)	Tank	Reservoir	Tank	Deposito
9 G082158	TRASCINAMENTO E145 M.C.C T.E	Articulated joint	Joint à rotule	Gelenk	Estracción
11 G082174	VALVOLA ZR817/22-TVM + CAPPELOTTO	Valve	Soupape	Ventil	Valvula
12 G082175	TAPPO VALVOLA TS17/2(HIDR.778800020)	Pluq	Bouchon	Verschlußstopfen	Tapa
13 G082173	TAPPO VALVOLA T818/0(HIDR.778800030)	Pluq	Bouchon	Verschlußstopfen	Tapa
14 G082172	ASTA LEVA AL091 UP (HIDR702410220)	Rod	Barre	Stange	Asta
15 G082147	KIT SPAZZOLE T.E. 12-24V CC 13809	Kit	Kit	Kit	Kit
16 G082180	RELE' AVVIAMENTO CC12v (544134104)	Relay	Relais	Relais	Relay
17 G082122	* MOTORE CC T107E 12V 2KW 36806	Electric motor	Moteur electrique	Elektromotor	Motor eletrico
18 G082169	MICRO CROUZET 83161.1CW3(544124002)	Microswitch	Microswitch	Mikroschalter	Microswitch
19 G082178	PARAOLIO BA 12x22x5 NBR (511203310)	Gasket	Joint	Dichtung	Guarnición
20 G082179	ANELLO FORI22 UNI7437(HIDR530010221)	Driving wheel ring	Bandage roue motri	Ring für Antriebsrad	Anillo motorueda
21 G082116	TAPPO SFIATO 3/8"G. L81 (678000370)	Pluq	Bouchon	Verschlußstopfen	Tapa

STACKER "TMC"

ELEKTRO STAPLER "TMC"

GERBEUR "TMC"

CARRETILLA ELEVADORA "TMC"

Centralina idraulica (UP100 dal 06/96)**Detail: 3.2**

* Modifiche / Updates / Modifications / Änderungen / Modificaciones :

Rev.:**0****20/12/99**

Det. Ref.	Present Code	Serial N.	Old	New	Interc.	Dat.	
1	16	G081016		G081009	G081016	<input checked="" type="checkbox"/>	01/05/96
1	27	G019306		S0305036021	G019306	<input type="checkbox"/>	01/11/97
2	6	S0206010063	6990	S0206010035	S0206010063	<input type="checkbox"/>	20/07/96
2	6,1	S0206010052	6918	S0206010052	S0206010054	<input type="checkbox"/>	01/07/96
2	6,2	S0206010068		S0206010047	S0206010068	<input type="checkbox"/>	01/07/97
2	11	G010401		G010206	G010207	<input checked="" type="checkbox"/>	01/01/99
2	11	G010401		G010207	G010401	<input checked="" type="checkbox"/>	27/04/99
3.1	14	G082180		G082121	G082180	<input checked="" type="checkbox"/>	01/01/00
3.2	17	G082122		G082183	G082122	<input checked="" type="checkbox"/>	01/01/00