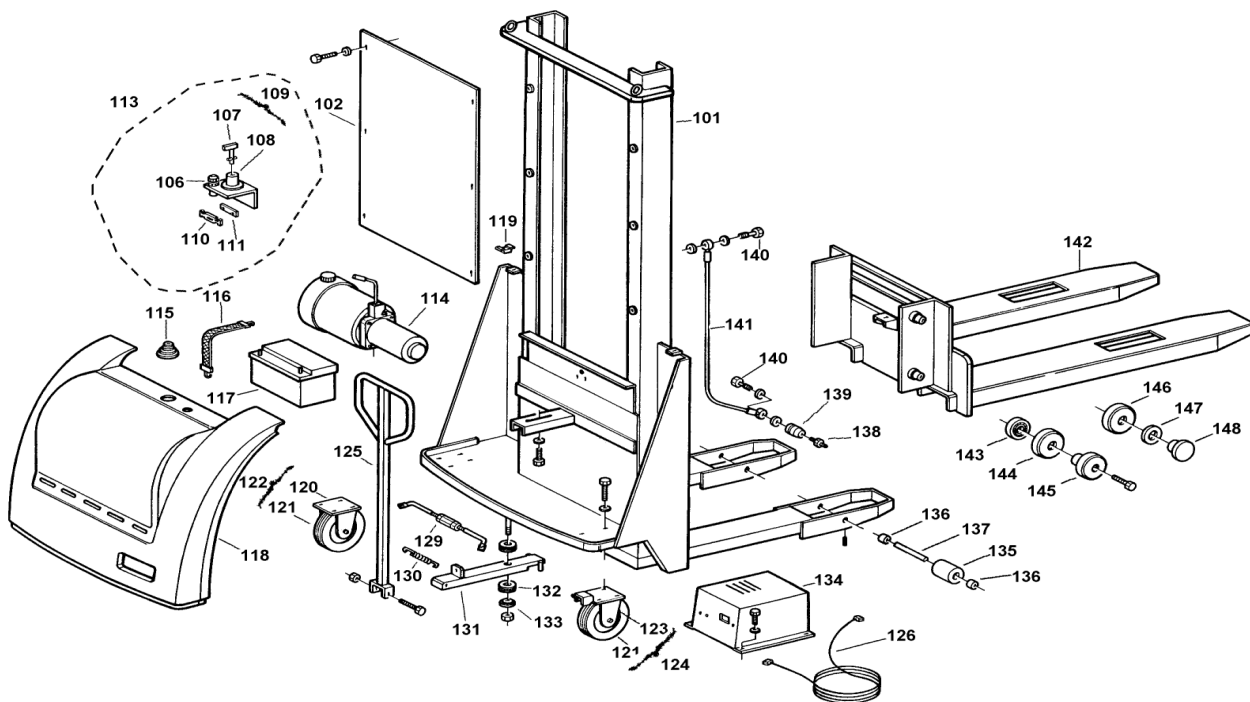


Telaio

Detail: 1



Ref.	Cod.		English	Français	Deutsch	Español
101	V0201030119-10	TELAIO TX 10/09 VERN.GIALLO RAL 1003	Chassis	Chassis	Rahmen	Chasis
101,1	V0201030114-10	TELAIO TX 10/16 VERN.GIALLO RAL 1003	Chassis	Chassis	Rahmen	Chasis
101,2	V0201030077-10	TELAIO TX 10/20 VERN.GIALLO RAL 1003	Chassis	Chassis	Rahmen	Chasis
101,3	V0201050108-10	TELAIO TX 12/25 VERN.GIALLO RAL 1003	Chassis	Chassis	Rahmen	Chasis
101,4	V0201050123-10	TELAIO TX 12/29 VERN.GIALLO RAL 1003	Chassis	Chassis	Rahmen	Chasis
101,5	V0201050098-10	TELAIO TX 12/35 VERN.GIALLO RAL 1003	Chassis	Chassis	Rahmen	Chasis
102	S0310018006	VETRO PROTEZIONE 10-12 VERS.2	Glass	Verre	Glas	Vidrio
102,1	S0200038014	VETRO PROTEZIONE TX-GX 12/25	Glass	Verre	Glas	Vidrio
102,2	S0200038004	VETRO PROTEZIONE TMC 10/09	Glass	Verre	Glas	Vidrio
106	G070625	PORTAFUSIBILE A VITE +FUSIBILE 6,3A	Fuse holder	Porte-fusible	Sicherungshalter	Portafusible
107	G075220	CHIAVExINTERR.STACCABATTERIE	Key	Clé	Schlüssel	Llave
108	G075221	FRUTTO x INTERR. STACCABATTERIE	Breaker	Interrupteur	Schalter	Interruptor
109	G075102	INTERR.STACCABATTERIE UNIPOLARE 100A 12V	Breaker	Interrupteur	Schalter	Interruptor
110	G077540	FUSIBILE 160A (RFM REGHEL)	Fuse	Fusible	Schmelzsicherung	Fusible
111	G070603	PORTAFUSIBILE x FUSIBILE 160Amp	Fuse	Fusible	Schmelzsicherung	Fusible
113	S0208020116	CABLAGGIO ELETTRICO TX	Electric wiring	Cable électrique	Elektrische Verkabel	Cable elettrico
114	G081020	CENTRALINA 12V x TX 10	Tripper box	Groupe hydraulique	Steuerung	Caja eletrica
114,1	G081021	CENTRALINA 24V x TX 12 GX 10-12	Tripper box	Groupe hydraulique	Steuerung	Caja eletrica
115	G052002	SOFFIETTO IN GOMMA ELEV.(0-RAB/010)	Bellow	Soufflet	Faltenbalg	Fuelle
116	G000103	CINGHIA ELASTICA BATTERIA TMC16/20	Band	Courroie	Riemen	Correa
116,1	G000111	CINGHIA ELASTICA BATTERIA TX12	Band	Courroie	Riemen	Correa
117	G099300024	BATTERIA 70Ah-12V	Battery	Batterie	Batterie	Bateria
118	S0200018011	CARTER COFANO TX 10	Guard	Carter	Gehäuseteil	Carter
118,1	S0200018012	CARTER COFANO TX 12	Guard	Carter	Gehäuseteil	Carter
119	G034903	DADO INGABBIATO M8 ZN (URAMA Q08-30)	Nut	Dés	Mutter	Tuerca
120	G053402	SUPPORTO GIREVOLE PESANTE SX D200	Support	Support	Halterung	Soporte
121	S0002010169	RUOTA GOMMA D200+CUSCINETTI	Drive wheel	Roue	Rad	Rueda
121,1	S0014010233	RUOTA POLY. C/ALL D200x50 LAG+CUSC.6204	Drive wheel	Roue	Rad	Rueda

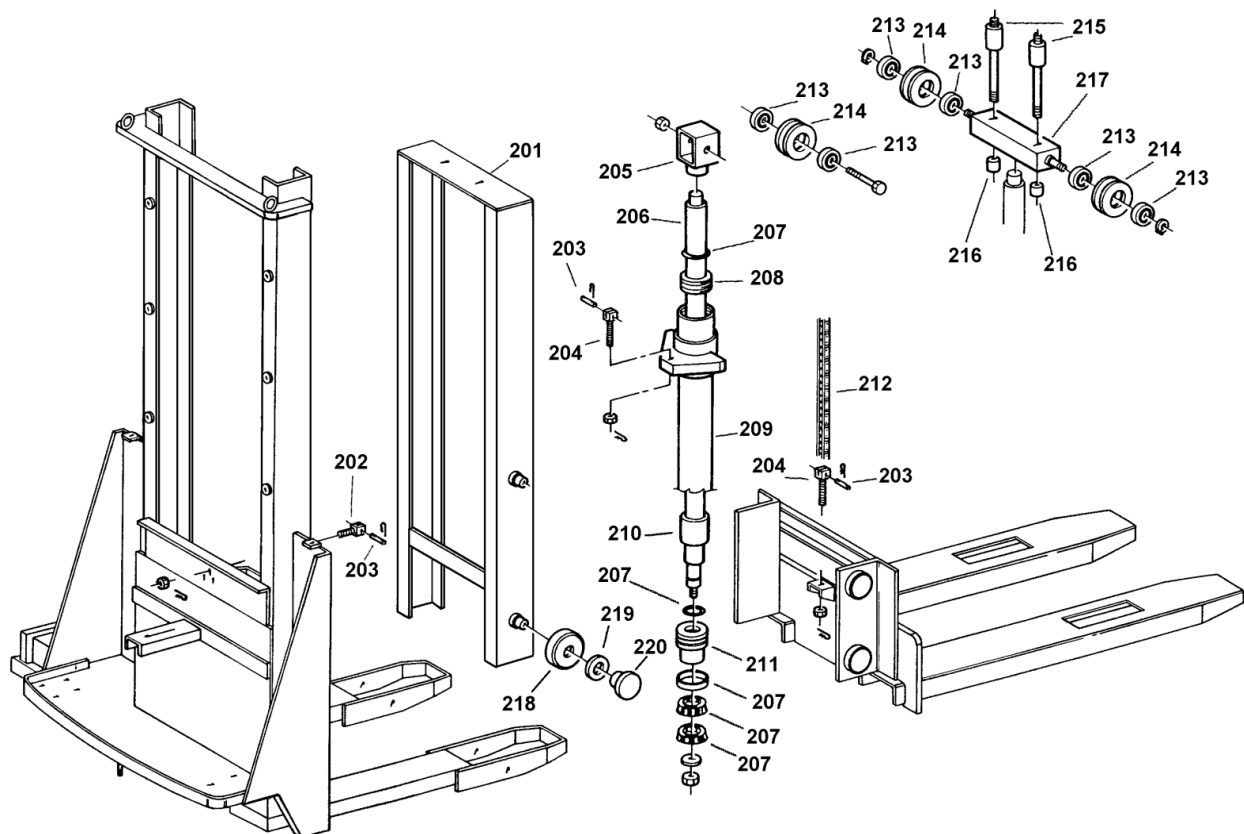
Telaio

Detail: 1

122	G053103	RUOTA GOMMA 200x50 SUP.PES SX	Drive wheel	Roue	Rad	Rueda
122,1	G053306	RUOTA POLY.C D200x50 SUP.PES.	Drive wheel	Roue	Rad	Rueda
123	G053401	SUPP. GIR. PES. DS.D200+FRENO S0362550L	Support	Support	Halterung	Soporte
124	G053102	RUOTA GOMMA 200x50 SUP.PES.DS+FR	Drive wheel	Roue	Rad	Rueda
124,1	G053305	RUOTA POLY.C D200x50 SUP.PES.+FRENO	Drive wheel	Roue	Rad	Rueda
125	S0204020113	TIMONE VERNICIATO TX 10-12	Rudder	Timon	Deichsel	Timón
129	S0202010054	BRACCETTO COMPL. X STERZO TM/TMC	Arm	Bras	Arm	Brazo
129,1	S0202010077	BRACCETTO COMPL. x STERZO TX 12	Arm	Bras	Arm	Brazo
130	G001109	MOLLA TRAZIONE P.49 GANCI A 90 GR.	Spring	Ressort	Feder	Muelle
131	S0202010056	STERZO x TM29/TMC VERNICIATO (NEW)	Steering	Direction	Lenkung	Volante
131,1	S0202010080	STERZO x TX 12 VERNICIATO	Steering	Direction	Lenkung	Volante
132	S0202010031	CUSCINETTO COMPLETO STERZO TM	Bearing	Roulement	Lager	Coiinete
133	S0204025010	SPINGIDISCO INFERIORE TMC	Seeqer	Seeqer	Seeqer-Ring	Seeqer
134	G099300057	RADDR.A GIORNO 15A-12V X TX 10	Chargeur	Chargeur	Ladeqerät	Carqador
134,1	G099300025	RADDRIZZ. A GIORNO 15A-12V (TX 10) 240V	Chargeur	Chargeur	Ladeqerät	Carqador
134,2	G099300028	RADDRIZZ. A GIORNO 15A-12V(TX10)120V	Chargeur	Chargeur	Ladeqerät	Carqador
134,3	G099300058	RADDR.A GIORNO 13A-24V X TX12-GX10	Chargeur	Chargeur	Ladeqerät	Carqador
134,4	G099300026	RADDRIZ.A GIORNO 13A-24V(TX12-GX10)240V	Chargeur	Chargeur	Ladeqerät	Carqador
134,5	G099300068	RADDRIZZ.A GIOR.24A-20V(GX12+PLUS)120V	Chargeur	Chargeur	Ladeqerät	Carqador
135	S0202020029	RULLO CON CUSCINETTI NYLON D82x70	Roll	Roulean	Rolle	Rodillo
136	S0302016026	DISTANZIALE RULLO SINGOLO TE-TM ZINC	Spacer	Entretoise	Distanzstück	Distanciador
137	S0302015025	PERNO SCARPETTA TE/TM/L10 (BRUNITO)	Sprig	Pivot	Bolzen	Pernio
138	G084103	NYPLE M/M 3/8"	Nipple	Raccord	Nippel	Racor
139	G085003	VALVOLA REGOLAZIONE FLUSSO 3/8"	Valve	Soupape	Ventil	Valvula
140	G084001	VITE FORO 3/8" ESAG. 22	Screw	Vis	Schraube	Tornillo
141	G083002	TUBO R1T 3/8"OCCHIO 3/8"-3/8" L=800	Tube	Tuyau	Rohr	Tubo
141,1	G083001	TUBO R1T 3/8"OCCHIO 3/8"-3/8"L=1050	Tube	Tuyau	Rohr	Tubo
142	S0207010034	FORCA COMPLETA VERNICIATA TMC10/16-20	Fork	Fourche	Gabel	Horca
142,1	S0307050082	FORCA COMPLETA VERNICIATA TE-TM-L-G10/29	Fork	Fourche	Gabel	Horca
142,2	S0307040063	FORCA COMPLETA VERNICIATA TE-TM-L10/36	Fork	Fourche	Gabel	Horca
143	G010151	CUSCINETTO 6305 (25-62-17)	Bearing	Roulement	Lager	Coiinete
144	S0207016006	ROTELLA SCORRIMENTO FORCA TMC 10/16	Ring	Rondelle	Beilaqscheibe	Arandela
145	S0207018001	RULLO GUIDA FORCA TMC 10/16	Roll	Roulean	Rolle	Rodillo
146	G019306	CUSCINETTO A SFERE D70 (CSF.002)	Bearing	Roulement	Lager	Coiinete
147	G019310	DISCHETTO DI CONTRASTO (10004.102)	Disc	Disque	Scheibe	Disco
148	G019309	PATTINO DI GUIDA LATERALE (10002.102)	Sliding block	Block de qlissement	Gleitschuh	Patín

Cilindro di alzata

Detail: 2



Ref. Cod

201	S0205010067	SECONDO STADIO TMC10/25 (VERN.) "NEW"
201,1	S0305010170	SECONDO STADIO L10/29 (VERNICIATO)
201,2	S0305010286	SECONDO STADIO TX-GX 12/35 (VERNICIATO)
202	S0307015015	PETTINE CORTO TE-TM-L/VT ZINCATO
203	G062104	PERNO CATENA FLAYER BL544 D6x29
204	S0307015017	PETTINE LUNGO TE-TM-L-L/VT ZINCATO
205	S0306051022	PORTAPULEGGIA GHISA TE-TM-L VERNIC.
206	S0306063049	STELO CILINDRO TMC 10/09
206,1	S0306063020	STELO CILINDRO TMC-G h1600
206,2	S0206013001	STELO CILINDRO TMC 10/20
206,3	S0206013003	STELO CILINDRO TMC 10/25
206,4	S0306053018	STELO CILINDRO ELEVATORE h2900
206,5	S0306023054	STELO CILINDRO ELEVAT.h3500 TX-GX 12/35
207	G090015	KIT GUARNIZIONI TMC16/20
207,1	G090005	KIT GUARNIZIONI TE-TM 10-12
208	S0206011001	BOCCOLA CILINDRO TMC 10/16-20
208,1	S0306041004	GHIERA CILINDRO TE/TM 10-12/29-36
209	S0206010062	CILINDRO TMC 10/09 VERNICIATO
209,1	S0206010063	CILINDRO G-TMC 10/16 VERNICIATO
209,2	S0206010064	CILINDRO G-TMC 10/20 VERNICIATO
209,3	S0206010068	CILINDRO TMC 10/25 VERNICIATO "NEW"
209,4	S0306010159	CILINDRO L10-12/29 VERNICIATO
209,5	S0306010287	CILINDRO TX-GX 12/35 VERNICIATO
210	S0206016008	DISTANZIALE CILINDRO L.35 TE-TM
210,1	S0306056017	DISTANZIALE CILINDRO L.105 TE-TM
210,2	S0306026011	DISTANZIALE CILINDRO L.120 TE-TM
211	S0306061009	PISTONE CILINDRO TMC 10/16-20
211,1	S0306041008	PISTONE CILINDRO TE/TM 10-12/29-36

English

Français

Deutsch

Español

Second pillar	Mat interieur	Zweite Stufe	Segundo estadio
Second pillar	Mat interieur	Zweite Stufe	Segundo estadio
Second pillar	Mat interieur	Zweite Stufe	Segundo estadio
Jumper connection	Liaison	Verbindung	Puente
Sprig	Pivot	Bolzen	Pernio
Jumper connection	Liaison	Verbindung	Puente
Pulley	Poulie	Scheibe	Polea
Stem	Tige	Stange	Vástago
Stem	Tige	Stange	Vástago
Stem	Tige	Stange	Vástago
Stem	Tige	Stange	Vástago
Stem	Tige	Stange	Vástago
Stem	Tige	Stange	Vástago
Kit	Kit	Kit	Kit
Kit	Kit	Kit	Kit
Bushing	Fourreau	Hülse	Tuerca
Plug	Collier de serrage	Nutmutter	Anilla
Cylinder	Cylindre	Zylinder	Cilindro
Cylinder	Cylindre	Zylinder	Cilindro
Cylinder	Cylindre	Zylinder	Cilindro
Cylinder	Cylindre	Zylinder	Cilindro
Cylinder	Cylindre	Zylinder	Cilindro
Cylinder	Cylindre	Zylinder	Cilindro
Spacer	Entretoise	Distanzstück	Distanciador
Spacer	Entretoise	Distanzstück	Distanciador
Spacer	Entretoise	Distanzstück	Distanciador
Piston	Piston	Kolben	Pistón
Piston	Piston	Kolben	Pistón

STACKER "TX 10-12"

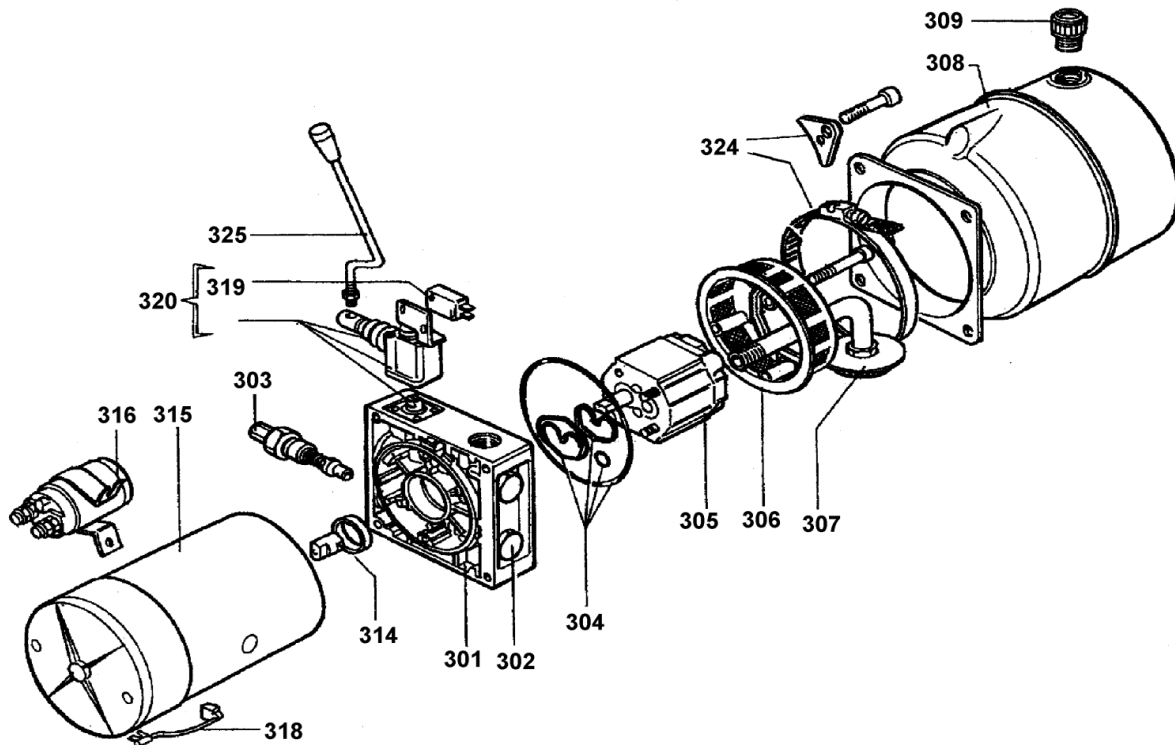
ELEKTRO STAPLER "TX 10-12"

GERBEUR "TX 10-12"

CARRETILLA ELEVADORA "TX 10-12"

Cilindro di alzata**Detail: 2**

212	G062016	SPEZZONE CATENA FLAYER BL534-49P	Chain	Chaîne	Kette	Cadena
212,1	G062005	SPEZZONE CATENA FLAYER BL534-81P	Chain	Chaîne	Kette	Cadena
212,2	G062011	SPEZZONE CATENA FLAYER BL534-107P	Chain	Chaîne	Kette	Cadena
212,3	G062017	SPEZZONE CATENA FLAYER BL534-103P	Chain	Chaîne	Kette	Cadena
212,4	G062007	SPEZZONE CATENA FLAYER BL534-117P	Chain	Chaîne	Kette	Cadena
212,5	G062019	SPEZZONE CATENA FLAYER BL534 TX-GX 12/35	Chain	Chaîne	Kette	Cadena
213	G010401	* CUSCINETTO 6204 2RS (20-47-14)	Bearing	Roulement	Lager	Cojinete
214	S0306051019	PULEGGIA CUSC.DOPPIO VERN.(P.GHISA)	Pulley	Poulie	Scheibe	Polea
215	S0306015052	PERNO ALZATA LIBERA L10-L16	Sprig	Pivot	Bolzen	Pernio
216	S0306015036	DISTANZIALE PERNO ALZATA LIB. TE-TM	Spacer	Entretoise	Distanzstück	Distanciator
217	S0306012072	PORTAPULEGGIA DOPPIO L16 VERNIC. "1998"	Pulley	Poulie	Scheibe	Polea
218	G019306	CUSCINETTO A SFERE D70 (CSF.002)	Bearing	Roulement	Lager	Cojinete
219	G019310	DISCHETTO DI CONTRASTO (10004.102)	Disc	Disque	Scheibe	Disco
220	G019309	PATTINO DI GUIDA LATERALE (10002.102)	Sliding block	Block de glissement	Gleitschuh	Patín
221	S0306055043	PERNO x PORTAPULEGGIA IN GHISA	Sprig	Pivot	Bolzen	Pernio



Ref. Cod.

Ref.	Cod.		English	Français	Deutsch	Español
301	G082195	CORPO UP100 K1G3-06+PARAOLIO	Pump	Pompe	Pumpe	Bomba
302	G082171	VALVOLA RITEGNO RS3/817-03	Valve	Soupape	Ventil	Valvula
303	G082107	VALVOLA MAX VM01 HDM10 T.95-210	Valve	Soupape	Ventil	Valvula
304	G082166	KIT GUARNIZIONI CORPO UP100 x "LR"	Kit	Kit	Kit	Kit
305	G082100	POMPA AP100/1.7 S.409+COP.748220020	Pump	Pompe	Pumpe	Bomba
306	G082090	FILTRO CONV.150 MICRON (757500070)	Filter	Filtre	Filter	Filtro
307	G082196	GRUPPO A.H105L78-900 250M	Suction filter unit	Groupe aspiration	Ansaugeinheit	Grupo aspiración
308	G082197	SERBATOIO UP100 P06,OR-BBT	Pump	Pompe	Pumpe	Bomba
308,1	G082228	SERBATOIO UP100 P08,OR-BBT (673450200)	Pump	Pompe	Pumpe	Bomba
309	G082099	TAPPO CARICO SF1/2G(HIDR.678000310)	Plug	Bouchon	Verschlußstopfen	Tapa
314	G082158	TRASCINAMENTO E145 M.C.C T.E	Articulated joint	Joint à rotule	Gelenk	Estracción
315	G082220	MOTORE C135AK/X0/D02P012V 1,6	Electric motor	Moteur électrique	Elektromotor	Motor elettrico
315,1	G082230	MOTORE C240AK/Y0/D02P 024V 2.2	Electric motor	Moteur électrique	Elektromotor	Motor elettrico
316	G082180	RELE' AVVIAMENTO CC12v (544134104)	Relay	Relais	Relais	Relay
316,1	G082127	RELE'COMPL. 24V CC P.C-E-F-G (EF.)	Relay	Relais	Relais	Relay
318	G082234	CAVETTO +SPAZZOLE 12V.	Brush holder	Porte balais	Bürstenhalter	Portaescobilla
318,1	G082233	CAVETTO+SPAZZOLE 24V.	Brush holder	Porte balais	Bürstenhalter	Portaescobilla
319	G082223	MICRO STD.COM. MANUALE UP50-UP100	Microswitch	Microswitch	Mikroschalter	Microswitch
320	G082224	VALVOLA ZR817/22 -TVML+CAPPELOTTO	Valve	Soupape	Ventil	Valvula
324	G082227	KIT FISSAGGIO SERBATOIO PL. UP100 6-14L.	Kit	Kit	Kit	Kit
325	G082232	ASTA LEVA AL029 UP100	Rod	Barre	Stange	Asta

STACKER "TX 10-12"

ELEKTRO STAPLER "TX 10-12"

GERBEUR "TX 10-12"

CARRETILLA ELEVADORA "TX 10-12"

Centralina Idraulica

Detail: 3

* Modifiche / Updates / Modifications / Änderungen / Modificaciones :

Rev.:

0

20/12/99

Det. Ref.	Present Code	Serial N.	Old	New	Interc.	Dat.	
2 213	G010401		G010207	G010401		<input checked="" type="checkbox"/>	27/04/99