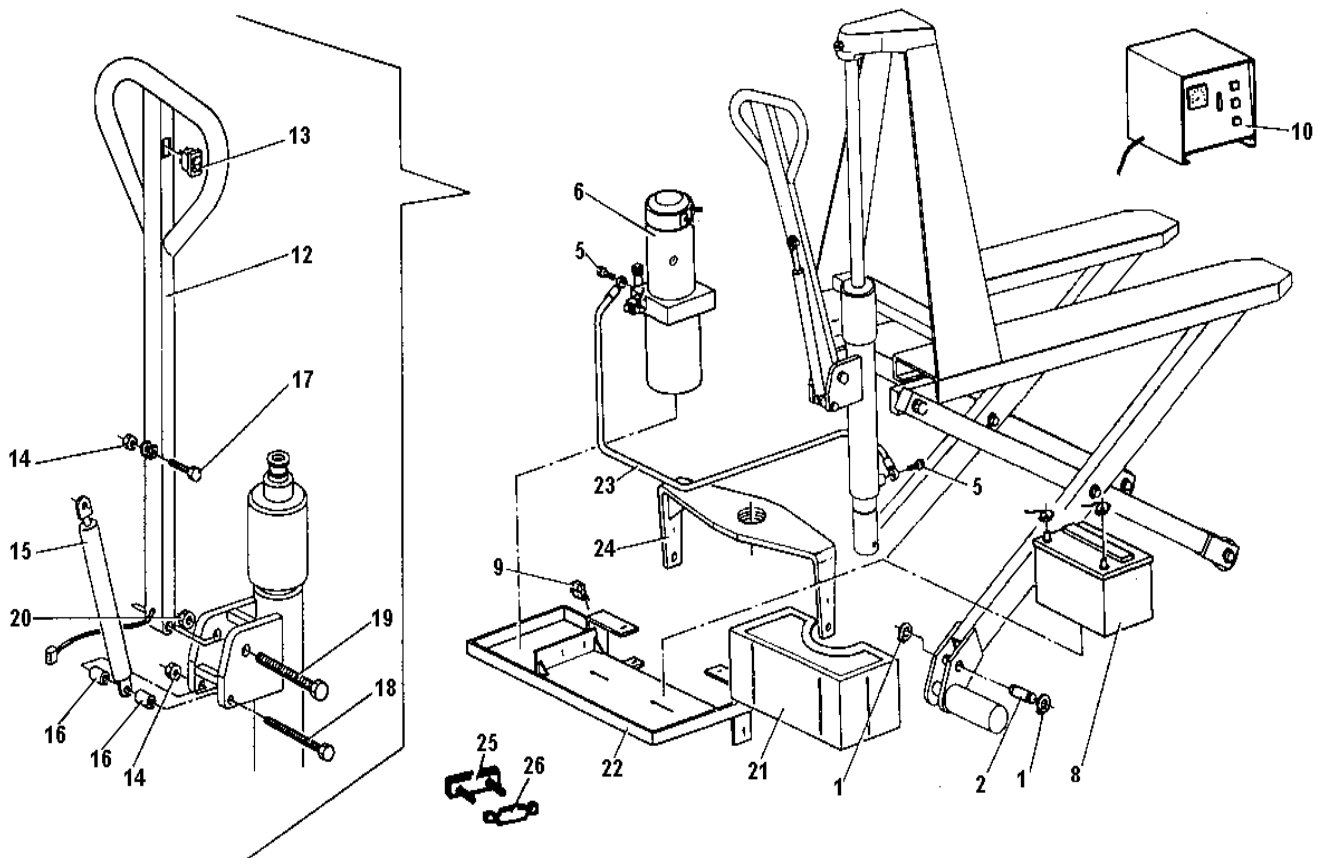


Timone / Carrozeria

Detail: 1.1



Ref. Cod.

Ref.	Cod.	Description
0	G077544	FUSIBILE VETRO 6.3A(900032REGHEL)
0	S0042210039	CABLAGGIO ELETTRICO HL10E
1	G042120	SEEGER ESTERNO 3653 E 20
2	S0041015002	PERNO CROCIERA HL10M/PED."L"- "K20"
5	G084006	VITE FORO 1/4" ESAG. 19
6	G081019	* CENTR.HYDR-APP S2010010000 x HL10E
8	G099300019	* BATTERIA 60Ah-12V xHL10E
9	G071098	CONNETTORE 50A (ANDERSON)
10	G099300039	RADDRIZZATORE COMPLETO 10A-12V xHL10E
10,1	G099300054	RADDRIZZ. COMPLETO 10A-12V xHL10E 240V
12	S0042210027	MANIGLIA HL10E VERNICIATA
13	G075203	PULSANTE MANIGLIA HL10E
15	G001703	MOLLA GAS 198.236.20-GF2 VAPSINT
16	S0042215024	DISTANZIALE MOLLA GAS HL10E
17	G022013	VITE TE 5739 65 8.8 M8x30 ZN
18	G022242	VITE TE 5737 65 8.8 M8x80 ZN
19	S0042213006	* PERNO MANIGLIA HL10E
20	G034408	* DADO BASSO AUTOBL. 7474 M14 Zn
21	S0042218014	CARTER BATTERIA HL10E (NUOVO)
21,1	S0042218016	CARTER BATTERIA HL10E (NUOVO) L.680
22	S0042210063	TELAIO PORTAB.HL10E 540(NEW)VERNIC.
22,1	S0042210065	TELAIO PORTAB.HL10E 680(NEW)VERNIC.
23	G083015	TUBO R1AT04- 1/4" mt 0.750+MOLLA
24	S0042010061	CROCERA HL10E (L.540)LAVORATA
24,1	S0042010066	CROCERA HL10E (L.680) LAVORATA
25	G070603	PORTAFUSIBILE x FUSIBILE 160Amp
26	G077540	FUSIBILE 160A (RFM REGHEL)

English

Français

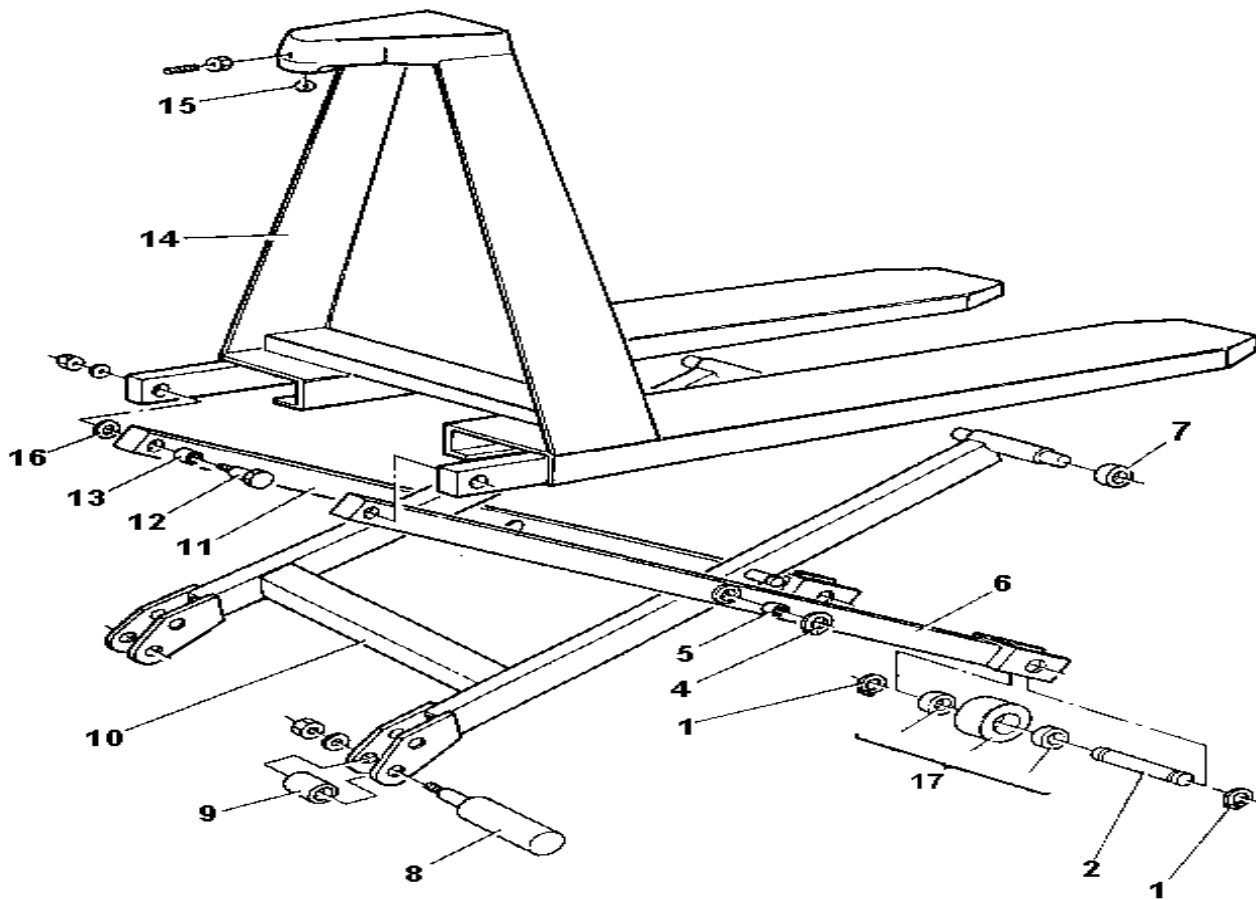
Deutsch

Español

English	Français	Deutsch	Español
Fuse	Fusible	Schmelzsicherung	Fusible
Electric wiring	Cable électrique	Elektrische Verkabe	Cable elettrico
Seeqer	Seeqer	Seeqer-Ring	Seeqer
Sprig	Pivot	Bolzen	Pernio
Screw	Vis	Schraube	Tornillo
Triqquer box	Groupe hydraulique	Steuerung	Caja eletrica
Battery	Baterie	Batterie	Bateria
Adapter	Connecteur	Verbinder	Conector
Charqer	Chargeur	Ladegerät	Carqador
Charqer	Chargeur	Ladegerät	Carqador
Handle	Poignée	Griff	Manilla
Push button	Poussoir	Taster	Botón
Spring	Ressort	Feder	Muelle
Spacer	Entretoise	Distanzstück	Distanciador
Screw	Vis	Schraube	Tornillo
Screw	Vis	Schraube	Tornillo
Sprig	Pivot	Bolzen	Pernio
Nut	Dés	Mutter	Tuerca
Guard	Carter	Gehäuseteil	Carter
Guard	Carter	Gehäuseteil	Carter
Chassis	Chassis	Rahmen	Chasis
Chassis	Chassis	Rahmen	Chasis
Tube	Tuyau	Rohr	Tubo
Cross bar	Croix	Gelenkkranz	Cruce
Cross bar	Croix	Gelenkkranz	Cruce
Fuse	Fusible	Schmelzsicherung	Fusible
Fuse	Fusible	Schmelzsicherung	Fusible

Telaio

Detail: 2

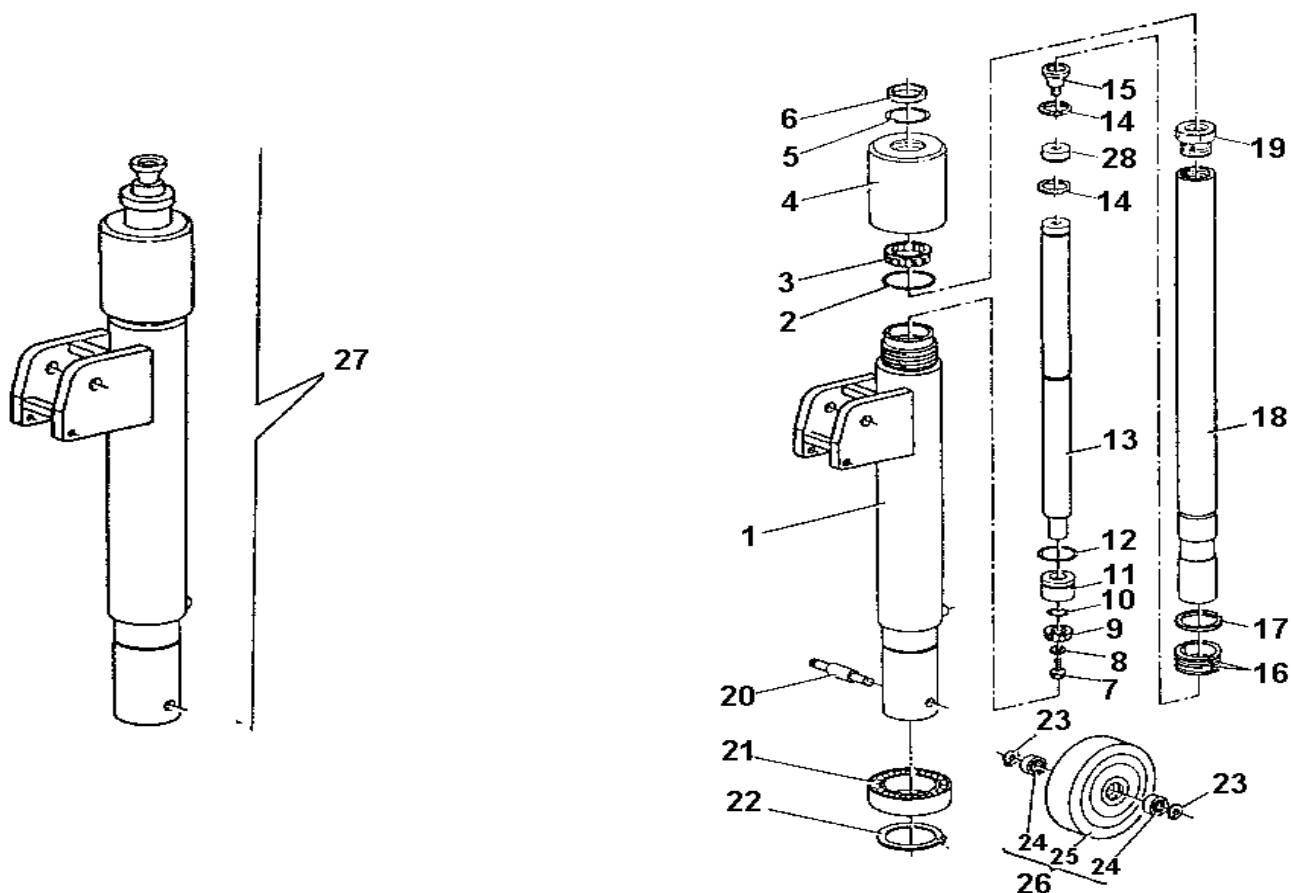


Ref. Cod.

Ref.	Cod.		English	Français	Deutsch	Español
1	G042120	SEEGER ESTERNO 3653 E 20	Seeqer	Seeqer	Seeqer-Ring	Seeqer
2	S0041215025	PERNO RULLO HL10E	Spiq	Pivot	Bolzen	Pernio
4	G042122	SEEGER ESTERNO 3653 E 22	Seeqer	Seeqer	Seeqer-Ring	Seeqer
5	G016396	BOCCOLA AUTOLUB. Fe 22x26x40	Bronze bearing	Coussinet en bronz	Bronzelager	Buje de bronze
6	S0041210034	BRACCIO DX VERNICIATO HL10E	Arm	Bras	Arm	Brazo
7	S0041218008	RULLO GUIDA HL10E	Roll	Roulean	Rolle	Rodillo
8	S0041015003	ECCENTRICO STABILIZZATORE HL10M	Eccentric-wiper	Excentrique	Exzenter	Excentrica
9	S0041016003	DISTANZIALE ECCENTRICO HL10M/E	Spacer	Entretoise	Distanzstück	Distanciador
10	S0041210038	MONTANTE HL10M/HL10E 540 VERNICIATO	Staker	Montant	Pfosten	Mastil
10,1	S0041010058	MONTANTE HL10M/HL10E 680 VERNICIATO	Staker	Montant	Pfosten	Mastil
11	S0041210036	BRACCIO SX VERNICIATO HL10E	Arm	Bras	Arm	Brazo
12	S0041215026	ECCENTRICO REGISTRAZIONE HL10E	Eccentric-wiper	Excentrique	Exzenter	Excentrica
13	G016395	BOCCOLA AUTOLUB. Fe 22x26x28	Bronze bearing	Coussinet en bronz	Bronzelager	Buje de bronze
14	V0041210032-10	TELAIO HL10M/E L.540 GIALLO RAL1003	Chassis	Chassis	Rahmen	Chasis
14,1	V0041010051-10	TELAIO HL10M/E L.680 GIALLO RAL1003	Chassis	Chassis	Rahmen	Chasis
15	G016119	SFERA 5/8" (mm15,875) SFERA 3	Ball	Bille	Kugel	Esfera
16	S0041218009	DISTANZIALE BRACCI HL10M/E	Spacer	Entretoise	Distanzstück	Distanciador
17	S0041210042	RULLO CON CUSCINETTI NYLON D80x50	Roll	Roulean	Rolle	Rodillo
17,1	S0042070113	RULLO POLY.I D80x50+CUSCINETTI	Rivet	Rivet	Niet	Rivete

Cilindro di alzata

Detail: 3



Ref. Cod.	English	Français	Deutsch	Español	
0 G090014	KIT GUARNIZIONI HL10E	Kit	Kit	Kit	
1 S0042210029	CILINDRO HL10E SALDATO	Cylinder	Cylindre	Zylinder	Cilindro
2 G095035	O-RING 159 CRC(834DOWTY) 55,56x3,53	O-ring	O-ring	O-Ring	Anillo o-ring
3 G098005	GUARNIZIONE TS3850 8.5/L (SEALING PARTS)	Gasket	Joint	Dichtung	Guarnición
4 S0042212010	BOCCOLA CILINDRO HL10E	Bushing	Fourreau	Hülse	Tuerca
5 G095034	O-RING3150 CRC(128DOWTY) 37,77x2,62	O-ring	O-ring	O-Ring	Anillo o-ring
6 G098117	RASCHIATORE PW38 (SEALING PARTS) xHL10E	Gasket	Joint	Dichtung	Guarnición
7 G022024	VITE TE 5739 65 8.8 M8x10 ZN	Screw	Vis	Schraube	Tornillo
8 G041210	ROSETTA PIANA 6592 D10	Ring	Rondelle	Beilagscheibe	Arandela
9 G098004	GUARNIZIONE RSS18x30(SEALING PARTS)	Gasket	Joint	Dichtung	Guarnición
10 G095030	O-RING 123 CRC(617DOWTY) 17,86x2,62	O-ring	O-ring	O-Ring	Anillo o-ring
11 S0042211006	GUIDA SECONDO STELO HL10E	Rail	Rail	Schiene	Carril
12 G095018	O-RING3100 CRC(120DOWTY) 25,07x2,62	O-ring	O-ring	O-Ring	Anillo o-ring
13 S0042213007	* SECONDO STELO HL10E NEW	Stem	Tige	Stange	Vástago
14 G042325	* SEEGER SW 25 (x HL10E)	Seeger	Seeger	Seeger-Ring	Seeger
15 S0042015008	GUIDASFERA HL10M-HL10E	Rail	Rail	Schiene	Carril
16 S0042211007	COPPIA SEMIANELLI HL10E	Couple	Couple	Paar	Pareja
17 S0042218005	ANELLO A38 UNI 7433-75 (x HL10E)	Ring	Baque	Ring	Anillo
18 S0042216007	PRIMO STELO HL10E	Stem	Tige	Stange	Vástago
19 S0042211005	BOCCOLA DI GUIDA HL10E	Bushing	Fourreau	Hülse	Tuerca
20 S0004015015	ASSE RUOTE GS/HL10E	Axle	Axe	Achse	Eje
21 G010220	CUSCINETTO 6012 RS(60-95-18)	Bearing	Roulement	Lager	Coiinete
22 G042160	SEEGER ESTERNO 3653 E 60	Seeger	Seeger	Seeger-Ring	Seeger
23 G042120	SEEGER ESTERNO 3653 E 20	Seeger	Seeger	Seeger-Ring	Seeger
25 G053101	RUOTA GOMMA D200 TP/GS	Drive wheel	Roue	Rad	Rueda
26 S0002010169	RUOTA GOMMA D200+CUSCINETTI	Drive wheel	Roue	Rad	Rueda
27 S0042210028	CILINDRO HL10E VERNICIATO	Cylinder	Cylindre	Zylinder	Cilindro

ELECTRONIC PALLET TRUCK HIGH LIFT "HL10/E"

HUBWAGEN ELEKTRISCHEM HUB "HL10/E"

TRANSPALETTE HAUT LEVÉE ELECTRONIQUE "HL10/E"

TRANSPALETA PANTÓGRAFO ELECTRICO "HL10/E"

Cilindro di alzata**Detail: 3**

28 S0042216016

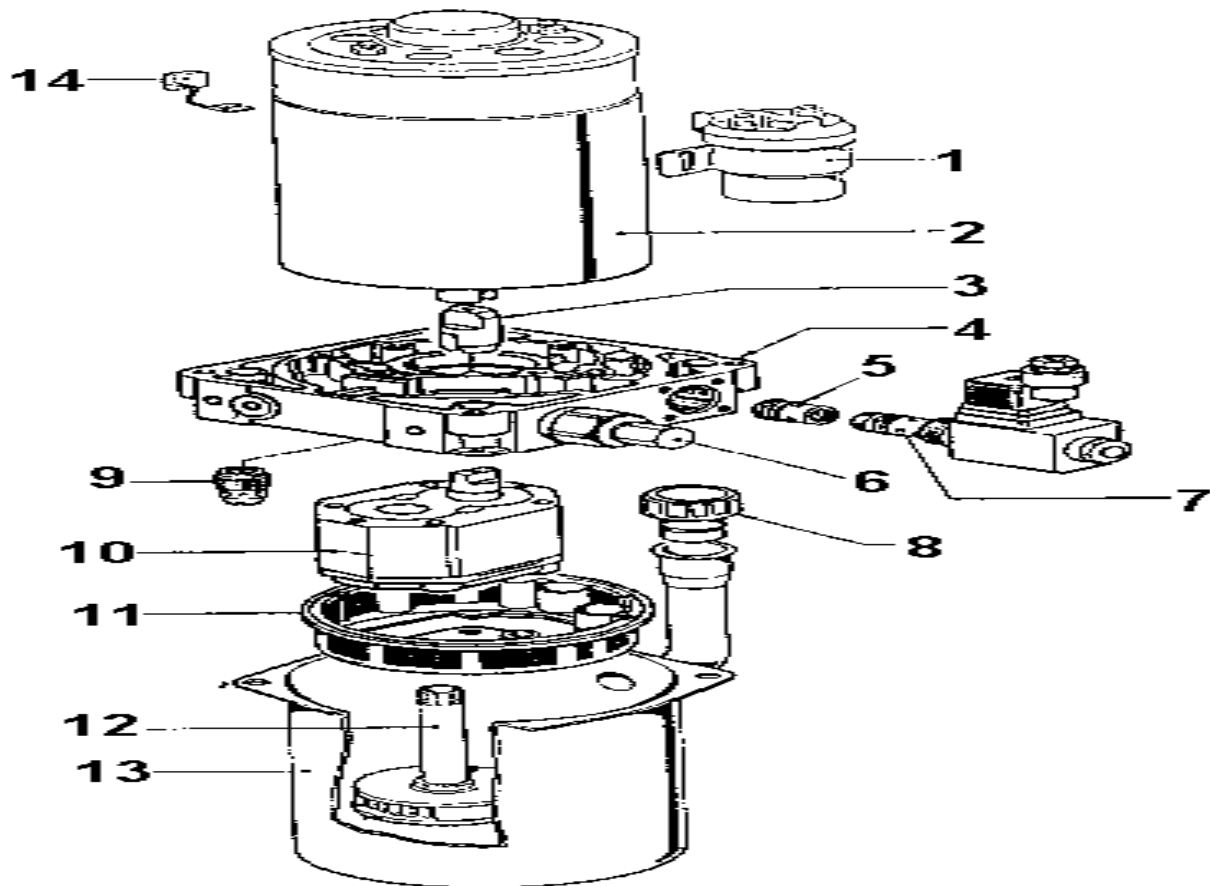
DISTANZIALE SECONDO STELO HL10E NEW

Spacer

Entretoise

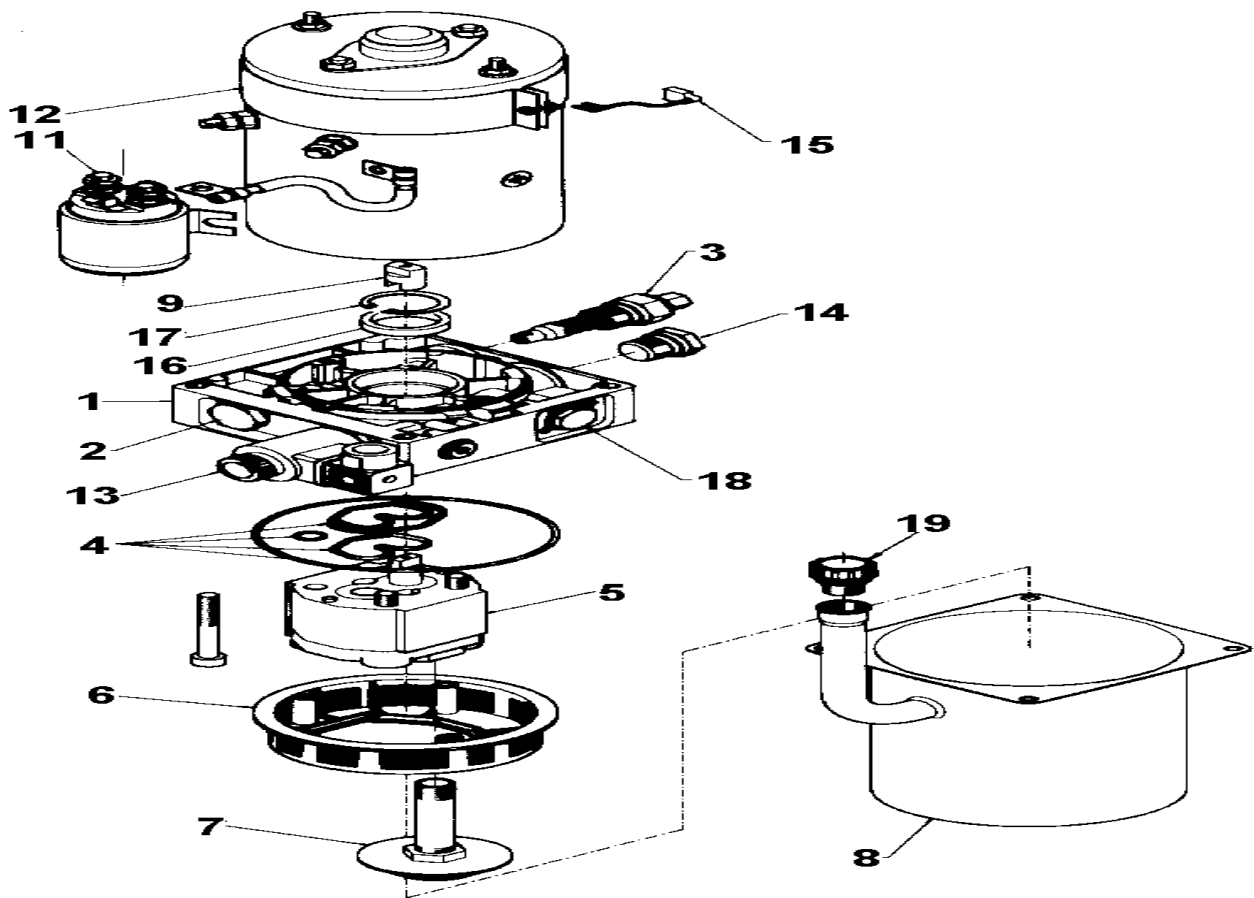
Distanzstück

Distanciador

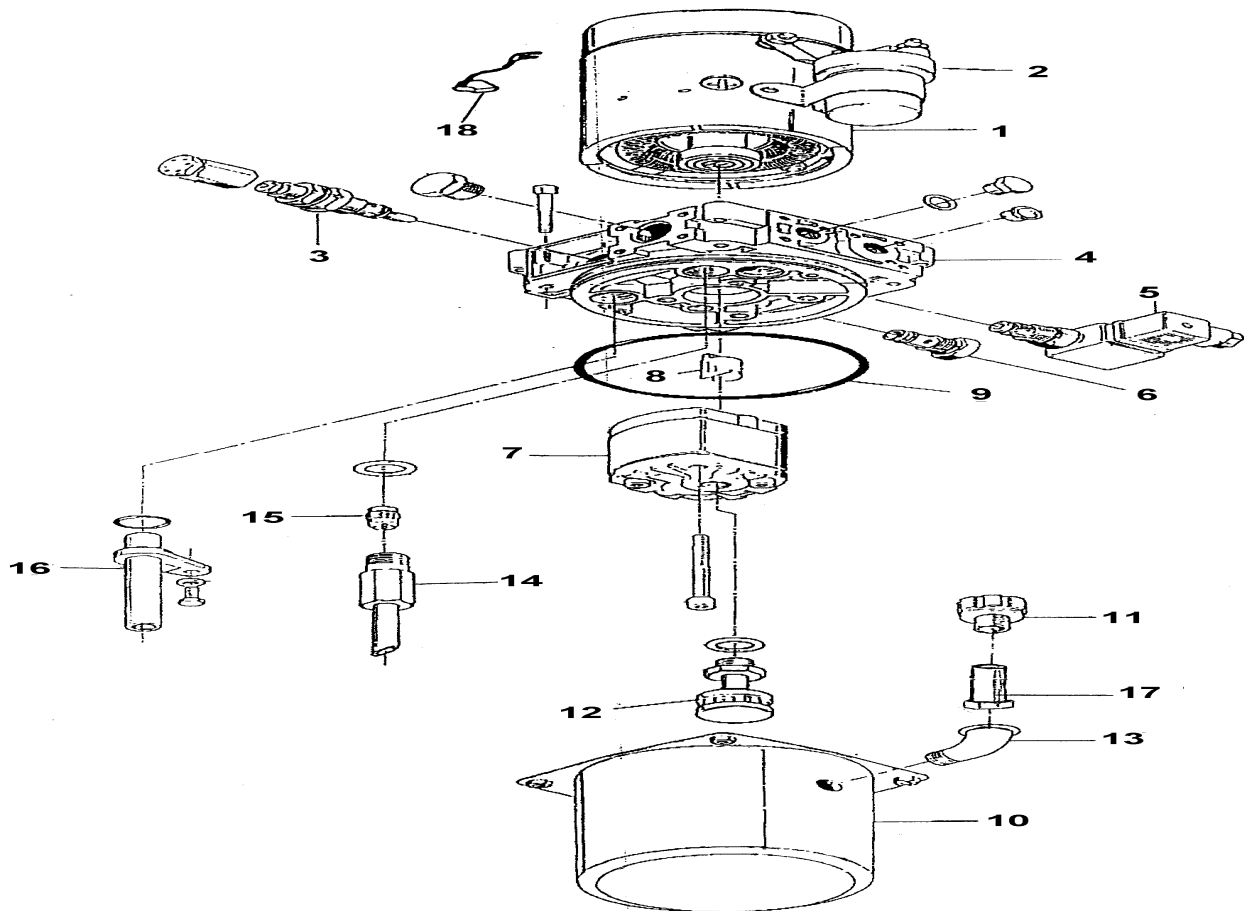


Ref. Cod.

Ref. Cod.	English	Français	Deutsch	Español		
1	G082180	* RELE' AVVIAMENTO CC12v (544134104)	Relay	Relais	Relais	Relay
2	G082122	MOTORE CC T107E 12V 2KW 36806	Electric motor	Moteur electrique	Elektromotor	Motor elettrico
3	G082112	GIUNTO MOTORE C.C.12-24V(659600060)	Joint	Joint	Verbindung	Junta
4	G082101	CORPO UP10 K165 VM1-AP100+Vm+RIT.	Pump	Pompe	Pumpe	Bomba
5	G082106	RITEGNO UP10 NON SMONT. (787601370)	Check valve	Retenue	Rückhalter	Recambio
6	G082107	VALVOLA MAX VM01 HDM10 T.95-210	Valve	Soupape	Ventil	Valvula
7	G082103	ELETTROVALVOLA x CENTRALINA HL10E	Valve	Soupape	Ventil	Valvula
8	G082111	!!!!!!NON USARE SOSTITUITO DA G082154!!!!	Plug	Bouchon	Verschlußstopfen	Tapa
9	G082110	VALVOLA VRC10/6 UP10 (787200210)	Valve	Soupape	Ventil	Valvula
10	G082100	POMPA AP100/1.7 S.409+COP.748220020	Pump	Pompe	Pumpe	Bomba
11	G082090	FILTRO CONV.150 MICRON (757500070)	Filter	Filtre	Filter	Filtro
12	G082149	GRUPPO ASPIRAZIONE L1,8VR.759900650	Suction filter unit	Groupe aspiration	Ansaugeinheit	Grupo aspiración
13	G082104	SERBATOIO S163 LT.1.8 VR. 672490280	Tank	Reservoir	Tank	Deposito
14	G082147	KIT SPAZZOLE T.E. 12-24V CC 13809	Kit	Kit	Kit	Kit



Ref. Cod.	English	Français	Deutsch	Español	
1 G082185	CORPO UP100 K1G2-01(HIDR.640430281)	Pump	Pompe	Pumpe	Bomba
2 G082171	VALVOLA RITEGNO RS3/817-03	Valve	Soupape	Ventil	Valvula
3 G082186	VALVOLA MAX VM07 T150-210	Valve	Soupape	Ventil	Valvula
4 G082165	KIT GUARNIZIONI CORPO UP100	Kit	Kit	Kit	Kit
5 G082100	POMPA AP100/1.7 S.409+COP.748220020	Pump	Pompe	Pumpe	Bomba
6 G082090	FILTRO CONV.150 MICRON (757500070)	Filter	Filtre	Filter	Filtro
7 G082149	GRUPPO ASPIRAZIONE L1,8VR.759900650	Suction filter unit	Groupe aspiration	Ansaugeinheit	Grupo aspiración
8 G082104	SERBATOIO S163 LT.1.8 VR. 672490280	Tank	Reservoir	Tank	Deposito
9 G082158	TRASCINAMENTO E145 M.C.C T.E	Articulated joint	Joint à rotule	Gelenk	Estracción
11 G082180	* RELE' AVVIAMENTO CC12v (544134104)	Relay	Relais	Relais	Relay
12 G082122	* MOTORE CC T107E 12V 2KW 36806	Electric motor	Moteur électrique	Elektromotor	Motor elettrico
13 G082187	ELETTROVALVOLA SDF817/22-TV/13-HC	Valve	Soupape	Ventil	Valvula
14 G082188	VALVOLA VRC818/06-F(HIDR.787200750)	Valve	Soupape	Ventil	Valvula
15 G082147	KIT SPAZZOLE T.E. 12-24V CC 13809	Kit	Kit	Kit	Kit
16 G082178	PARAOILIO BA 12x22x5 NBR (511203310)	Gasket	Joint	Dichtung	Guarnición
17 G082179	ANELLO FORI22 UNI7437(HIDR530010221)	Driving wheel ring	Bandage roue motri	Ring für Antriebsrad	Anillo motorueda
18 G082175	TAPPO VALVOLA TS17/2(HIDR.778800020)	Plug	Bouchon	Verschlußstopfen	Tapa
19 G082154	TAPPO SFIATO TPBSF18(HIDR.527099904)	Plug	Bouchon	Verschlußstopfen	Tapa



Ref. Cod.

Ref. Cod.	English	Français	Deutsch	Español	
1 G082201	MOTORE "EB" 1.6Kw 12Vcc G+GU x MC	Electric motor	Moteur électrique	Elektromotor	Motor eléctrico
2 G082180	RELE' AVVIAMENTO CC12v (544134104)	Relay	Relais	Relais	Relay
3 G082203	VALVOLA DI MAX 150-300 BAR x MC	Valve	Soupape	Ventil	Valvula
4 G082204	FLANGIA x "MS" DA 1/4" -50-210 BAR	Flange	Bride	Flansch	Acoplamiento
5 G082205	ELETTROVALVOLA EV22 "A" 12Vcc NC xHL10E	Valve	Soupape	Ventil	Valvula
6 G082206	VALVOLA DI RITEGNO STANDARD x MC	Valve	Soupape	Ventil	Valvula
7 G082207	POMPA "F" PHC 1-1.7 cm3/q DX+V+RO xHL10E	Pump	Pompe	Pumpe	Bomba
8 G082208	GIUNTO A PENNA x "MC" MOTORE ELETTRICO 2	Joint	Joint	Verbindung	Junta
9 G082209	O-RING 110.5x5.34 (HYDRAPP.44106700)	O-ring	O-ring	O-Ring	Anillo o-ring
10 G082210	SERBATOIO COMPLETO Lt.1.2 M-V SPECIALE	Tank	Reservoir	Tank	Deposito
11 G082211	TAPPO SFIATO CON FILTRO MONT.A PRESSIONE	Plug	Bouchon	Verschlußstopfen	Tapa
12 G082212	FILTRO PIATTO D.62 da 3/8" (HYDRAPP)	Filter	Filtre	Filter	Filtro
13 G082213	RACCORDO 1/2" A 90° M-F(HYDRAPP60502700)	Bend	Raccord	Anschlußstück	Enlace
14 G082214	CARTUCCIA VALVOLA REG+TUBO SCARICO L63.5	Valve	Soupape	Ventil	Valvula
15 G082215	VALVOLA V.C.D.F. Lt6 (HYDRAPP.20015200)	Valve	Soupape	Ventil	Valvula
16 G082216	KIT SCARICO VALVOLA MAX(HYDRAPP91002015)	Kit	Kit	Kit	Kit
17 G082217	PROLUNGA FILETTATA DA 1/2" CON FORO	Nipple	Raccord	Nippel	Racor
18 G082218	KIT SPAZZOLE/MOLLE x MOTORE E6 xHL10E	Kit	Kit	Kit	Kit

CENTRALINA IDRAULICA DAL 05/1997**Detail: 4.3**

* Modifiche / Updates / Modifications / Änderungen / Modificaciones :

Rev.:**0****20/12/99**

Det. Ref.	Present Code	Serial N.	Old	New	Interc.	Dat.		
1.1	6	G081019		G081018	G081019		<input type="checkbox"/>	01/05/97
1.1	8	G099300019	01770	G099300014	G099300019		<input checked="" type="checkbox"/>	01/03/96
1.1	19	S0042213006	01067	G022203	S0042213006		<input type="checkbox"/>	28/04/95
1.1	20	G034408	01067	G034408	G032304		<input type="checkbox"/>	28/04/95
3	13	S0042213007	02340	S0042213005	S0042213007		<input type="checkbox"/>	01/09/96
3	14	G042325	02340	S0042218006	G042325		<input type="checkbox"/>	01/09/96
4.1	1	G082180		G082121	G082180		<input checked="" type="checkbox"/>	01/01/00
4.2	11	G082180	1	G082180	G082121		<input checked="" type="checkbox"/>	
4.2	12	G082122		G082183	G082122		<input checked="" type="checkbox"/>	01/01/00