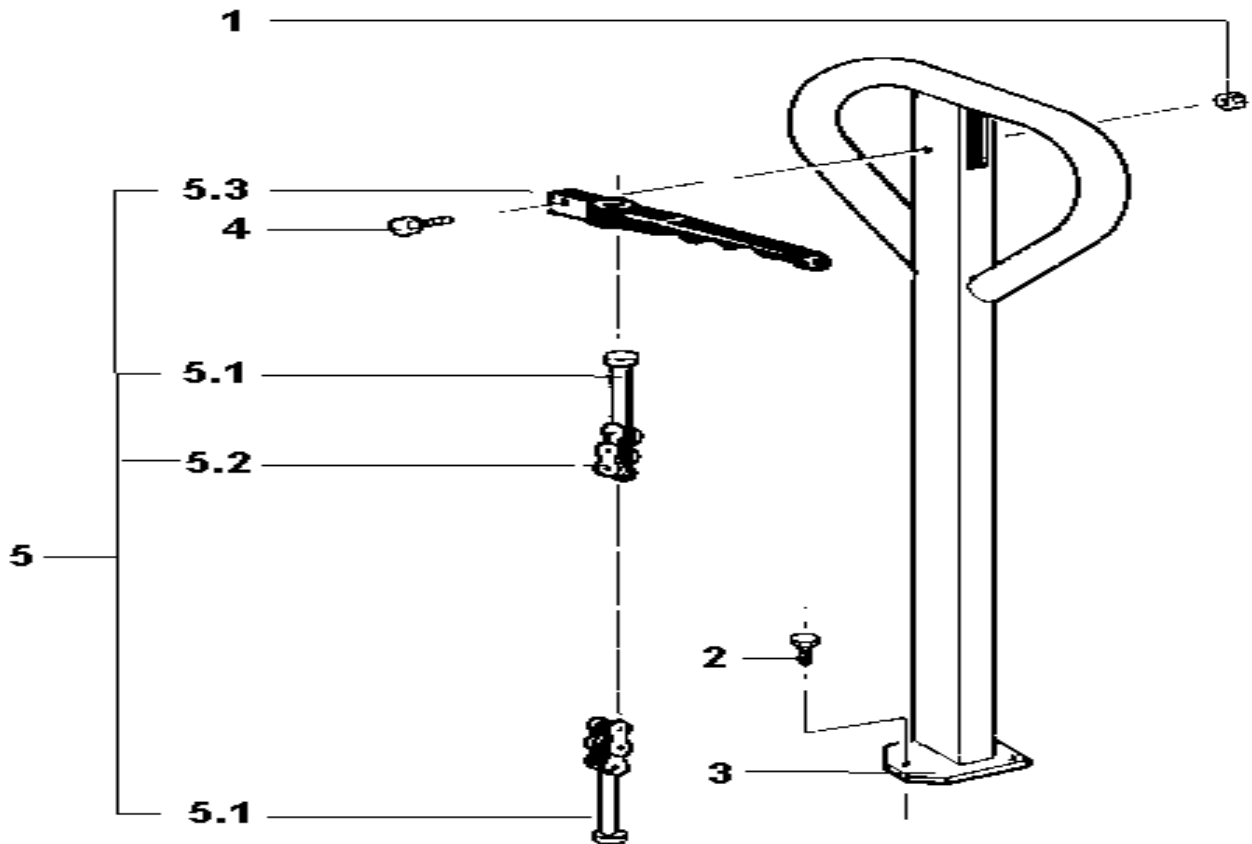
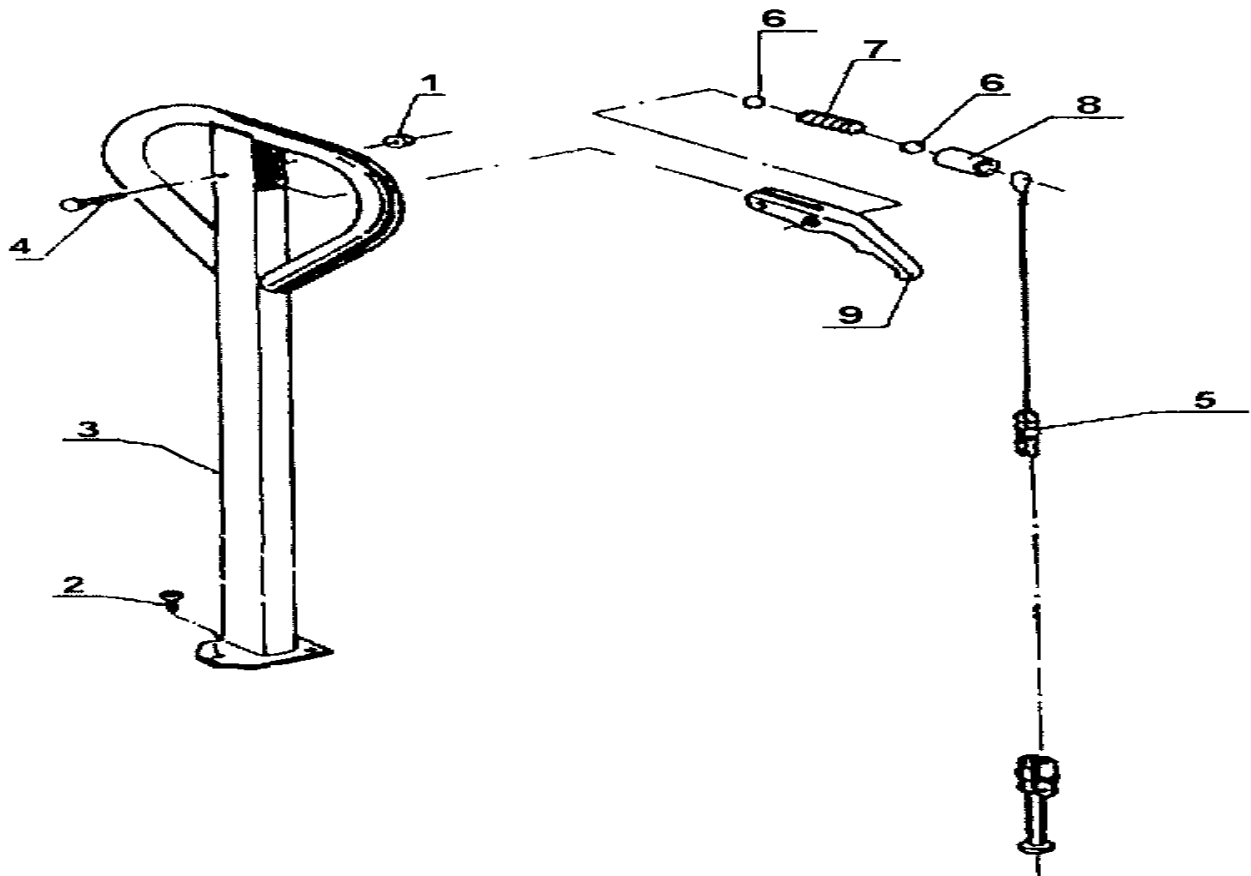


Maniglia completa (fino al 06/98)**Detail: 1**

Ref.	Cod.		English	Français	Deutsch	Español
0	S0042010102	* MANIGLIA POMPAGGIO COMPLETA HL10M 1999	Handle	Poignée	Griff	Manilla
1	G032301	DADO NORMALE 5588 65 CL8 M 6 ZN	Nut	Dés	Mutter	Tuerca
2	G022112	VITE TCEI 5931-67 8.8 M8x20 ZN	Screw	Vis	Schraube	Tornillo
3	S0042010020	MANIGLIA POMPAGGIO HL10M VERNICIATA	Handle	Poignée	Griff	Manilla
4	G022006	VITE TE 5739 65 8.8 M6x35 ZN	Screw	Vis	Schraube	Tornillo
5	S0042010022	LEVA DISCESA+CATENA HL10M	Lever	Levier	Hebel	Palanca
5,1	S0042015017	PERNO CATENA ZINCATO HL10M	Sprig	Pivot	Bolzen	Pernio
5,2	G052005	LEVA DISCESA TP/HL10M (NYLON)	Lever	Levier	Hebel	Palanca
5,3	G062003	CATENA 100 PASSO 6 128P HL10M	Chain	Chaîne	Kette	Cadena

Maniglia completa (dal 07/98)**Detail: 2****Ref. Cod.**

0	S0042010102	MANIGLIA POMPAGGIO COMPLETA HL10M 1999
1	G032301	DADO NORMALE 5588 65 CL8 M 6 ZN
2	G022112	VITE TCEI 5931-67 8.8 M8x20 ZN
3	S0042010101	MANIGLIA POMPAGGIO HL10M VERNICIATA 1999
4	G022006	VITE TE 5739 65 8.8 M6x35 ZN
5	S0042010103	TIRANTE COMPLETO MANIGLIA HL10M 1999
6	G016104	SFERA 5/16" (mm7,938)
7	G001126	MOLLA LEVA DISCESA GS
8	S0004036022	DISTANZIALE LEVA DISCESA GS
9	S0004018006	LEVA DISCESA TRANSPALLET GS

English

Handle
Nut
Screw
Screw
Tension rod
Ball
Spring
Spacer
Lever

Français

Poignée
Dés
Vis
Vis
Tirant
Bille
Ressort
Entretoise
Levier

Deutsch

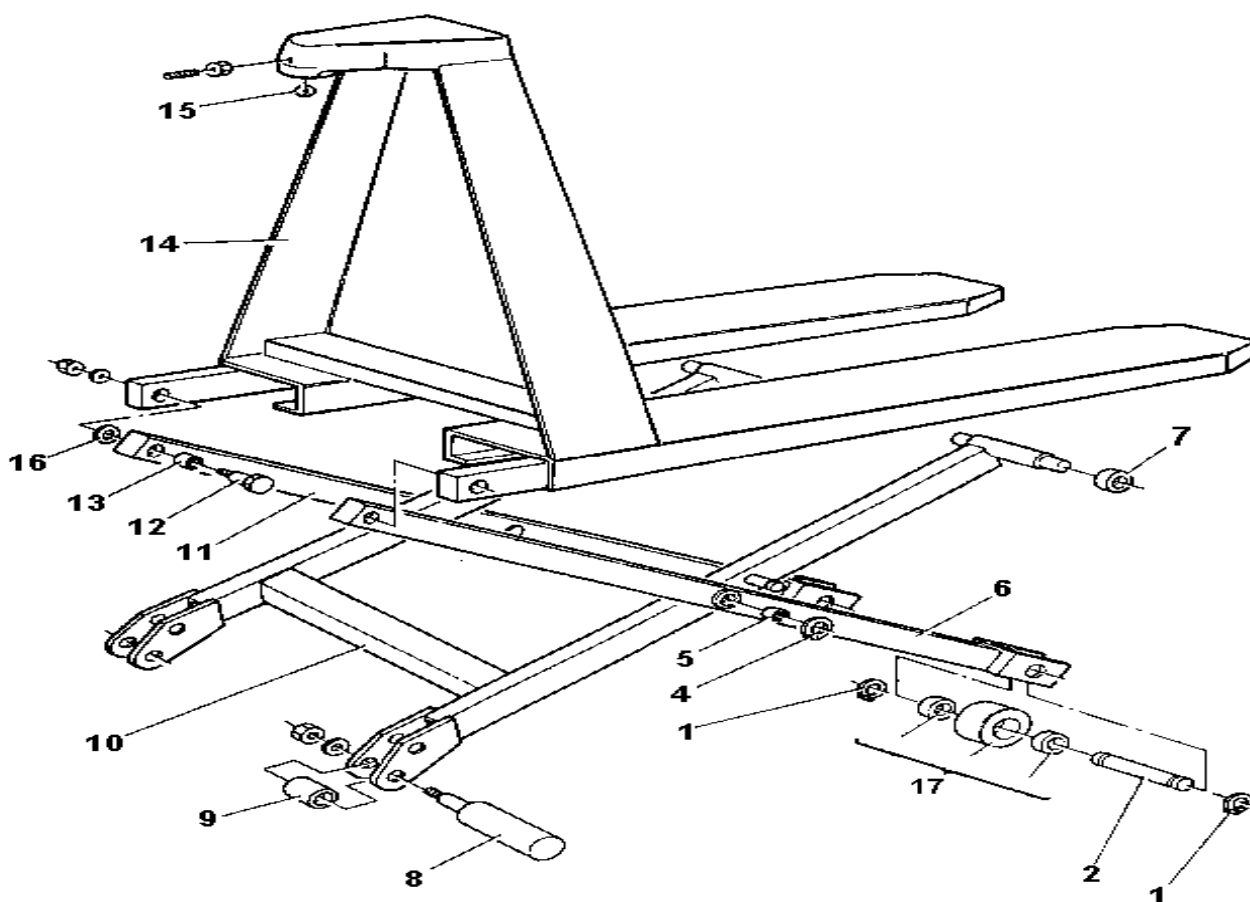
Griff
Mutter
Schraube
Schraube
Zugstange
Kugel
Feder
Distanzstück
Hebel

Español

Manilla
Tuerca
Tornillo
Tornillo
Tirante
Esfera
Muelle
Distanciador
Palanca

Telaio

Detail: 3

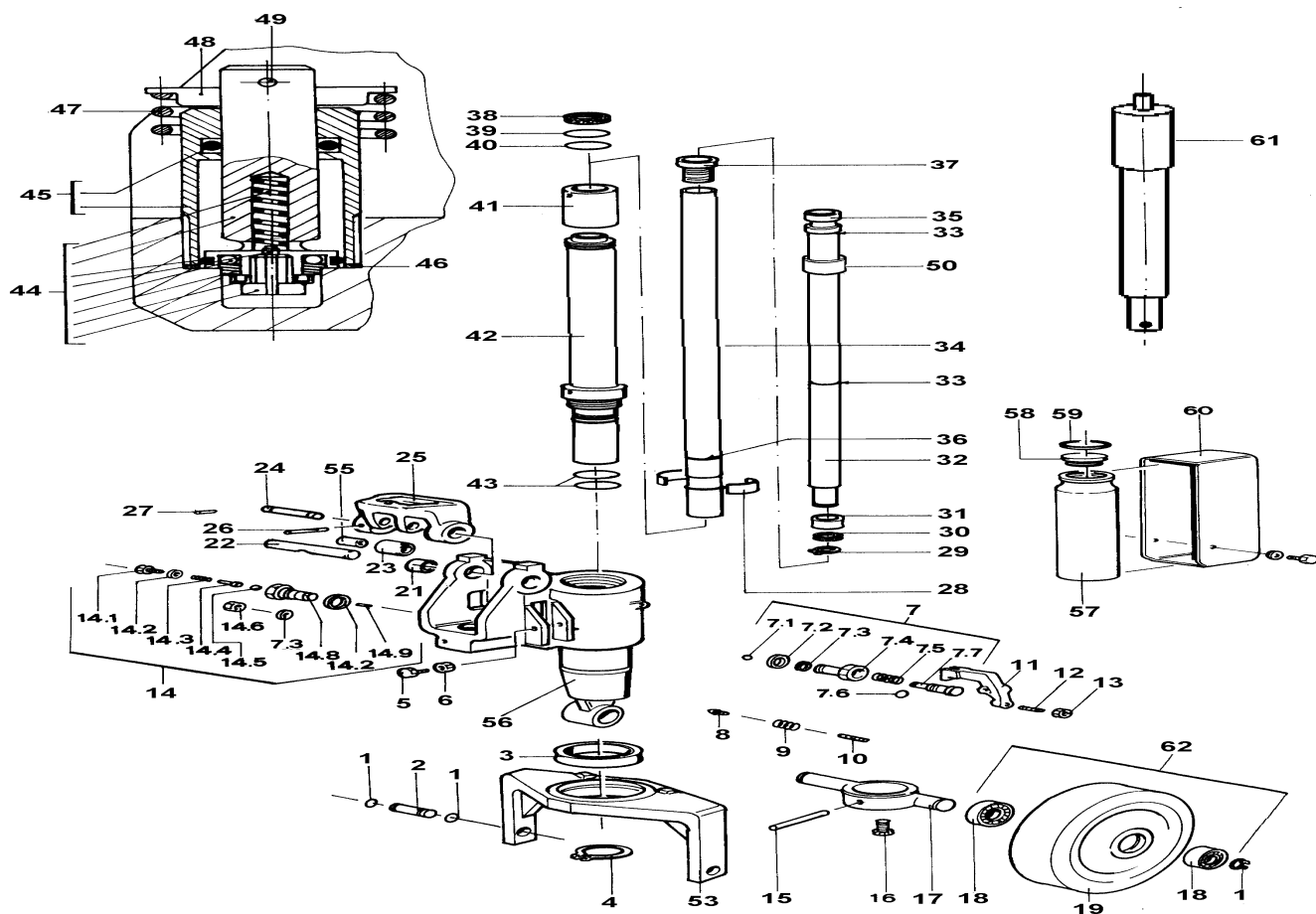


Ref. Cod.

Ref.	Cod.		English	Français	Deutsch	Español
1	G042120	SEEGER ESTERNO 3653 E 20	Seeqer	Seeqer	Seeqer-Ring	Seeqer
2	S0041215025	PERNO RULLO HL10E	Sprig	Pivot	Bolzen	Pernio
4	G042122	SEEGER ESTERNO 3653 E 22	Seeqer	Seeqer	Seeqer-Ring	Seeqer
5	G016396	BOCCOLA AUTOLUB. Fe 22x26x40	Bronze bearing	Coussinet en bronz	Bronzelager	Buje de bronze
6	S0041210034	BRACCIO DX VERNICIATO HL10E	Arm	Bras	Arm	Brazo
7	S0041218008	RULLO GUIDA HL10E	Roll	Roulean	Rolle	Rodillo
8	S0041015003	ECCENTRICO STABILIZZATORE HL10M	Eccentric-wiper	Excentrique	Exzenter	Excentrica
9	S0041016003	DISTANZIALE ECCENTRICO HL10M/E	Spacer	Entretoise	Distanzstück	Distanciador
10	S0041210038	MONTANTE HL10M/HL10E 540 VERNICIATO	Staker	Montant	Pfosten	Mastil
10,1	S0041010058	MONTANTE HL10M/HL10E 680 VERNICIATO	Staker	Montant	Pfosten	Mastil
11	S0041210036	BRACCIO SX VERNICIATO HL10E	Arm	Bras	Arm	Brazo
12	S0041215026	ECCENTRICO REGISTRAZIONE HL10E	Eccentric-wiper	Excentrique	Exzenter	Excentrica
13	G016395	BOCCOLA AUTOLUB. Fe 22x26x28	Bronze bearing	Coussinet en bronz	Bronzelager	Buje de bronze
14	V0041210032-10	TELAIO HL10M/E L.540 GIALLO RAL1003	Chassis	Chassis	Rahmen	Chasis
14,1	V0041010051-10	TELAIO HL10M/E L.680 GIALLO RAL1003	Chassis	Chassis	Rahmen	Chasis
15	G016119	* SFERA 5/8" (mm15,875) SFERA 3	Ball	Bille	Kugel	Esfera
16	S0041218009	DISTANZIALE BRACCI HL10M/E	Spacer	Entretoise	Distanzstück	Distanciador
17	S0041210042	RULLO CON CUSCINETTI NYLON D80x50	Roll	Roulean	Rolle	Rodillo
17,1	S0042070113	RULLO POLY.I D80x50+CUSCINETTI	Rivet	Rivet	Niet	Rivete
17,2	S0041210067	RULLO POLY.C D80x50+CUSCINETTI	Roll	Roulean	Rolle	Rodillo

Gruppo idraulico

Detail: 4



Ref. Cod

0	G090013	KIT GUARNIZIONI HL10M
0	S0042010044	GRUPPO COMANDO HL10M L=540 NYLON
0	S0042010045	S.GRUPPO IDRAULICO HL10M L=540 (NEW)
0	S0042010079	S.GRUPPO IDRAULICO HL10M L=680 (NEW)
0	S0042010087	GRUPPO COMANDO HL10M L=680 NYLON
1	G042120	SEEGER ESTERNO 3653 E 20
2	S0041015002	PERNO CROCIERA HL10M/PED."L"-"K20"
3	G010220	CUSCINETTO 6012 RS(60-95-18)
4	G042160	SEEGER ESTERNO 3653 E 60
5	G022220	VITE TE 5737 65 8.8 M8x50 ZN
6	G034401	DADO BASSO AUTOBL. 7474 M 8 ZN
7	S0004010035	RUBINETTO ASPIRAZIONE COMPLETO GS
7,1	G016104	SFERA 5/16" (mm7,938)
7,2	G096201	RONDELLA BONDED 1/2"
7,3	G095003	O-RING 115 CRC(614DOWTY) 11,91x2,62
7,4	S0004015010	RUBINETTO ASPIRAZIONE BRUNITO TP/GS
7,5	G001102	MOLLA De13 F.1,6x20 P5 MOLA-ZINCATE
7,6	G095002	O-RING2018 CRC(008DOWTY) 4,47x1,78
7,7	S0004015011	SPILLO APERTURA GS (BRUNITO)
8	S0004015008	SPILLO VALVOLA MASSIMA GS
9	G001104	MOLLA De8 F.1,7x22 P.3,5 MOLATA
10	G022501	VITE STEI 5923 14.9 M10x12 ESLOK
11	G01403	PEDALINO RUBINETTO TP/GS
12	G023103	VITE STEI 5923 INOX M6x30
13	G032301	DADO NORMALE 5588 65 CL8 M 6 ZN
14	S0042010025	RUBINETTO TENUTA COMPLETO HL10M
14,1	S0004015014	TAPPO RUBINETTO TENUTA BRUNITO GS

English

Français

Deutsch

Español

Kit	Kit	Kit	Kit
Hydraulic group	Groupe hydraulique	Hydraulikeinheit	Grupo hidraulico
Hydraulic group	Groupe hydraulique	Hydraulikeinheit	Grupo hidraulico
Hydraulic group	Groupe hydraulique	Hydraulikeinheit	Grupo hidraulico
Hydraulic group	Groupe hydraulique	Hydraulikeinheit	Grupo hidraulico
Seeger	Seeger	Seeger-Ring	Seeger
Sprig	Pivot	Bolzen	Pernio
Bearing	Roulement	Laager	Cojinete
Seeger	Seeger	Seeger-Ring	Seeger
Screw	Vis	Schraube	Tornillo
Nut	Dés	Mutter	Tuerca
Valve	Soupape	Ventil	Valvula
Ball	Bille	Kugel	Esfera
Ring	Rondelle	Beilagscheibe	Arandela
O-ring	O-ring	O-Ring	Anillo o-ring
Valve	Soupape	Ventil	Valvula
Spring	Ressort	Feder	Muelle
O-ring	O-ring	O-Ring	Anillo o-ring
Valve	Soupape	Ventil	Valvula
Valve	Soupape	Ventil	Valvula
Spring	Ressort	Feder	Muelle
Screw	Vis	Schraube	Tornillo
Pedal	Pédale	Fußschalter	Pedal
Screw	Vis	Schraube	Tornillo
Nut	Dés	Mutter	Tuerca
Valve	Soupape	Ventil	Valvula
Valve	Soupape	Ventil	Valvula

Gruppo idraulico**Detail: 4**

14,2	G096102	RONDELLA ALLUMINIO 10X16X1,5	Ring	Rondelle	Beilagscheibe	Arandela
14,3	G001101	MOLLA De6/FILO 0,5/LUNGH.25/PASSO 2	Spring	Ressort	Feder	Muelle
14,4	S0004015013	SPILLO RUBINETTO TENUTA GS	Valve	Soupape	Ventil	Valvula
14,5	G016116	SFERA 7/32" (mm5,556)	Ball	Bille	Kugel	Esfera
14,6	G001113	MOLLA DISCESA CONTROLLATA TP/GS	Spring	Ressort	Feder	Muelle
14,8	S0042015016	RUBINETTO TENUTA BRUNITO HL10M	Valve	Soupape	Ventil	Valvula
14,9	G016202	RULLINO 3x17,8	Pin	Goupille elastique	Federbüchse	Clavija elastica
15	S0042015012	ASSE BASCULANTE HL10M	Axle	Axe	Achse	Eje
16	G022006	VITE TE 5739 65 8.8 M6x35 ZN	Screw	Vis	Schraube	Tornillo
17	S0012010216	* BASCULANTE VERNICIATO GS/CAT	Spale bar	Bascule	Anschlaghebel	Basculante
18	G010207	* CUSCINETTO 6204 Z (20-47-14)	Bearing	Roulement	Lager	Cojinete
19	G053201	RUOTA NYLON D200x50	Drive wheel	Roue	Rad	Rueda
21	G016394	BOCCOLA AUTOLUB. Fe 18x22x10	Bronze bearing	Coussinet en bronz	Bronzelaqer	Buje de bronze
22	S0042015013	PERNO PASSAGGIO CATENA HL10M	Sprig	Pivot	Bolzen	Pernio
23	S0042013004	RULLINO POMPAGGIO HL10M COMPLETO	Roll	Roulean	Rolle	Rodillo
24	S0004013002	PERNO RULLINO POMPAGGIO GS	Sprig	Pivot	Bolzen	Pernio
25	S0042011005	PONTICELLO HL10M (LAVORATO)	Jumper connection	Liaison	Verbindung	Puente
26	G044309	SPINA ELASTICA 6873 D 4x40	Pin	Goupille elastique	Federbüchse	Clavija elastica
27	G044307	SPINA ELASTICA 6873 D 4x30	Pin	Goupille elastique	Federbüchse	Clavija elastica
28	S0042011003	COPPIA SEMIANELLI HL10M	Couple	Couple	Paar	Pareja
29	G042115	SEEGER ESTERNO 3653 E 15	Seeqer	Seeqer	Seeqer-Rinq	Seeqer
30	G098204	GUARNIZIONE MUP 2515	Gasket	Joint	Dichtung	Guarnición
31	S0042011001	GUIDA SECONDO STELO HL10M	Rail	Rail	Schiene	Carril
32	S0042013008	* SECONDO STELO HL10M NEW	Stem	Tiqe	Stange	Vástago
33	G042326	* SEEGER SW 22 (x HL10M)	Seeqer	Seeqer	Seeqer-Rinq	Seeqer
34	S0042016004	PRIMO STELO CROMATO HL10M	Stem	Tiqe	Stange	Vástago
35	S0042015008	GUIDASFERA HL10M-HL10E	Rail	Rail	Schiene	Carril
36	S0042018003	ANELLO SCORR. PRIMO STELO HL10M	Ring	Baque	Rinq	Anillo
37	S0042011012	* BOCCOLA GUIDA SECONDO STELO HL10M NEW	Bushing	Fourreau	Hülse	Tuerca
38	G098113	RASCHIATORE WRM 125157 (DOWTY)	Gasket	Joint	Dichtung	Guarnición
39	G098203	GUARNIZIONE EU 3240	Gasket	Joint	Dichtung	Guarnición
40	G095029	O-RING4162 CRC(223DOWTY) 40,87x3,53	O-ring	O-rinq	O-Rinq	Anillo o-rinq
41	S0042015006	BOCCOLA GUIDA PRIMO STELO HL10M	Bushing	Fourreau	Hülse	Tuerca
42	S0042010047	GUIDA PRIMO STELO HL10M (LAVORATO)	Rail	Rail	Schiene	Carril
43	G095032	O-RING 144 CRC(824DOWTY) 39,69x3,53	O-ring	O-rinq	O-Rinq	Anillo o-rinq
44	S0042010016	PISTONCINO POMPAGGIO COMPLETO HL10M	Piston	Piston	Kolben	Pistón
45	S0042010017	CILINDRETTO+GUARNIZIONE x HL10M	Cylinder	Cylindre	Zylinder	Cilindro
46	G096003	RONDELLA RAME 34x28x1,5	Ring	Rondelle	Beilagscheibe	Arandela
47	G001123	MOLLA RITORNO PISTONCINO HL10M	Spring	Ressort	Feder	Muelle
48	S0042012006	DISCO GUIDAMOLLA HL10M BRUNITO	Disc	Disque	Scheibe	Disco
49	G044420	SPINA CILINDRICA D4x28 h8	Pin	Goupille elastique	Federbüchse	Clavija elastica
50	S0042216018	DISTANZIALE SECONDO STELO HL10M	Spacer	Entretoise	Distanzstück	Distanciadór
53	S0042010013	CROCERA HL10M (L.540) LAVORATA	Cross bar	Croix	Gelenkkranz	Cruce
53,1	S0042010068	CROCERA HL10M (L.680) LAVORATA	Cross bar	Croix	Gelenkkranz	Cruce
55	G016393	BOCCOLA AUTOLUB. Fe 12x16x20	Bronze bearing	Coussinet en bronz	Bronzelaqer	Buje de bronze
56	S0042011009	CORPO POMPA HL10M (RICAMBIO)	Pump	Pompe	Pumpe	Bomba
57	S0042018011	SERBATOIO HL10M (GOMMA)	Tank	Reservoir	Tank	Deposito
58	S0042018013	TAPPO SERBATOIO OLIO HL10M (NYLON)	Plug	Bouchon	Verschlußstopfen	Tapa
59	G095012	O-RING4137 CRC(220DOWTY) 34,52x3,53	O-ring	O-rinq	O-Rinq	Anillo o-rinq
60	S0042018010	PROTEZIONE SERBATOIO HL10M	Protection	Protection	Schutz	Protección
61	S0042010048	SFILAMENTO COMPLETO x HL10M	Bond stresslip	Extension	Ausziehung	Articulación
62	S0004010186	RUOTA NYLON D200+CUSCINETTI	Drive wheel	Roue	Rad	Rueda
62,1	S0014010028	RUOTA POLY. I D200+CUSCINETTI	Drive wheel	Roue	Rad	Rueda

Gruppo idraulico**Detail: 4**

* Modifiche / Updates / Modifications / Änderungen / Modificaciones :

Rev.:**0****20/12/99**

Det. Ref.	Present Code	Serial N.	Old	New	Interc.	Dat.	
1	0	S0042010102	1999	S0042010019	S0042010102	<input checked="" type="checkbox"/>	10/03/00
3	15	G016119		G016109	G016119	<input checked="" type="checkbox"/>	01/01/00
4	17	S0012010216		S0042010012	S0012010216	<input checked="" type="checkbox"/>	26/11/97
4	18	G010207		G010206	G010207	<input checked="" type="checkbox"/>	01/01/00
4	32	S0042013008		S0042013003	S0042013008	<input type="checkbox"/>	01/04/98
4	33	G042326		S0042018004	G042326	<input type="checkbox"/>	01/04/98
4	37	S0042011012		S0042011002	S0042011012	<input type="checkbox"/>	01/04/98